



Project Name
Project Location
-
Drawing Set
-
Estimating Bid Book



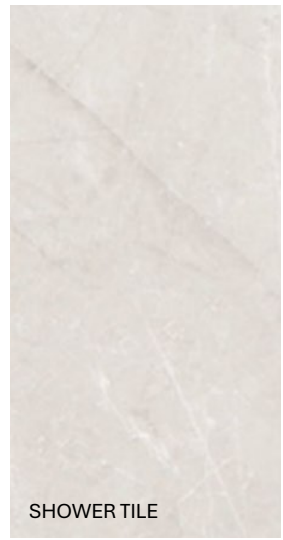
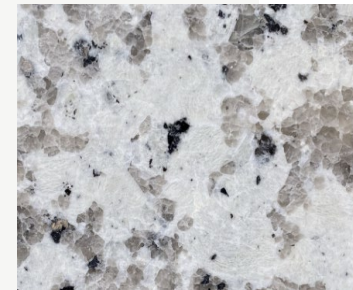
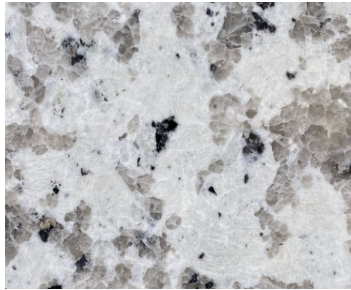
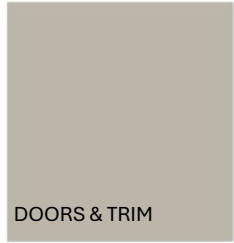
Owner Design Package



Sorella
EAST ARGENT

SW anew gray

SW pure white



ISLAND CABINETS & ISLAND DRYWALL

PERIMETER KITCHEN CABINETS & BATHROOM

LVP

Kitchen Pendants

https://www.homedepot.com/p/TRUE-FINE-Bungalo-13-8-in-1-Light-Black-Wheat-Bohemian-Island-Pendant-with-Natural-Rattan-Shade-TD90034P/322345262?source=shoppingads&locale=en-US&srsltid=AfmBOoqJlReJ94BqQ6ZJ_X4peWn9_inhbbxGZhlLvQtTuSesqcNxxnBPglU#overlay

Kitchen Faucet

<https://www.pfisterfaucets.com/kitchen/product/ceylon-f-529-7clo-1-handle-pull-down-kitchen-faucet?modelNumber=F-529-7CLOGS>

Cabinet Hardware

[https://www.lowes.com/pd/Origin-21-Vero-1-1-4-in-Satin-Nickel-Round-Cabinet-Knob/5014501621?store=358&cm_mmc=shp-_-c-_-prd-_-hdw-_-ggl-_-CRP_SHP_LIA_HDW_Online_High_Priority\(A-D%2BPriority+Items+CL3\)-_-5014501621-_-local-_-0-_-0&gclid=Cj0KCQjwmYZiBhC6ARIsAH3IkQwXd6v4S0JhJowJ_gzMKb6C4fmbBCzi4n_gMMeU77LSIDC1svYuNlaApaZEALw_wcB](https://www.lowes.com/pd/Origin-21-Vero-1-1-4-in-Satin-Nickel-Round-Cabinet-Knob/5014501621?store=358&cm_mmc=shp-_-c-_-prd-_-hdw-_-ggl-_-CRP_SHP_LIA_HDW_Online_High_Priority(A-D%2BPriority+Items+CL3)-_-5014501621-_-local-_-0-_-0&gclid=Cj0KCQjwmYZiBhC6ARIsAH3IkQwXd6v4S0JhJowJ_gzMKb6C4fmbBCzi4n_gMMeU77LSIDC1svYuNlaApaZEALw_wcB)

Bathroom Faucet

<https://www.pfisterfaucets.com/bathroom/product/raja-lf-049-ry-2-handle-8-widespread-bathroom-faucet?modelNumber=LF-049-RYGS>

Shower/Tub Fixtures

<https://www.pfisterfaucets.com/bathroom/product/bruxie-8p8-ws2-bie-1-handle-tub-shower-trim?modelNumber=8P8-WS2-BIESGS>

Bathroom Hardware

Hooks : <https://www.pfisterfaucets.com/bathroom/product/bruxie-brh-bie0-robe-hook?modelNumber=BRH-BIE0GS>

TP Holder: <https://www.pfisterfaucets.com/bathroom/product/bruxie-bph-bie0-toilet-paper-holder?modelNumber=BPH-BIE0GS>

Towel Ring: <https://www.pfisterfaucets.com/bathroom/product/bruxie-brb-bie0-towel-ring?modelNumber=BRB-BIE0GS>

Bathroom Vanity Light

<https://www.lampsusa.com/products/3-light-vanity-in-brushed-nickel-with-clear-glass-121731bn-431?srsltid=AfmBOopZ98v5ONFrB3-90JpFsBcrxoG3m2pJod-SmtCthEUb8FtXI-EtLM>

Ceiling Fan

From BZ's submittal

LVP

Katanga Ivory

Cabinets

Perimeter & Bathroom : Arauco Blanco Absoluto

Island : Arauco Vison

Tile

Backsplash – white 2x5 or similar subway tile installed vertically stacked with white grout

Shower – Roca Jewels Etienne Light Grey with matching grout



Division #2



Division 02.900

Landscape & Hardscape



Division #3



Division 03.300

Concrete



Division 03.500

Lightweight & Gypcrete



Division #4



Division 04.200

Masonry



Division #5



Division 05.100

Structural Steel



Division 5.700

Metal Handrails, Railings, Stairs, & Misc. Metals



Division #6


Division 06.100

Rough Carpentry



Division 06.220

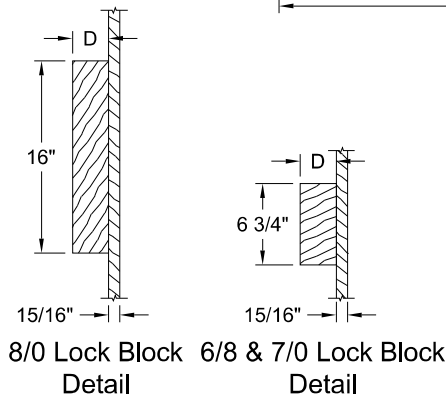
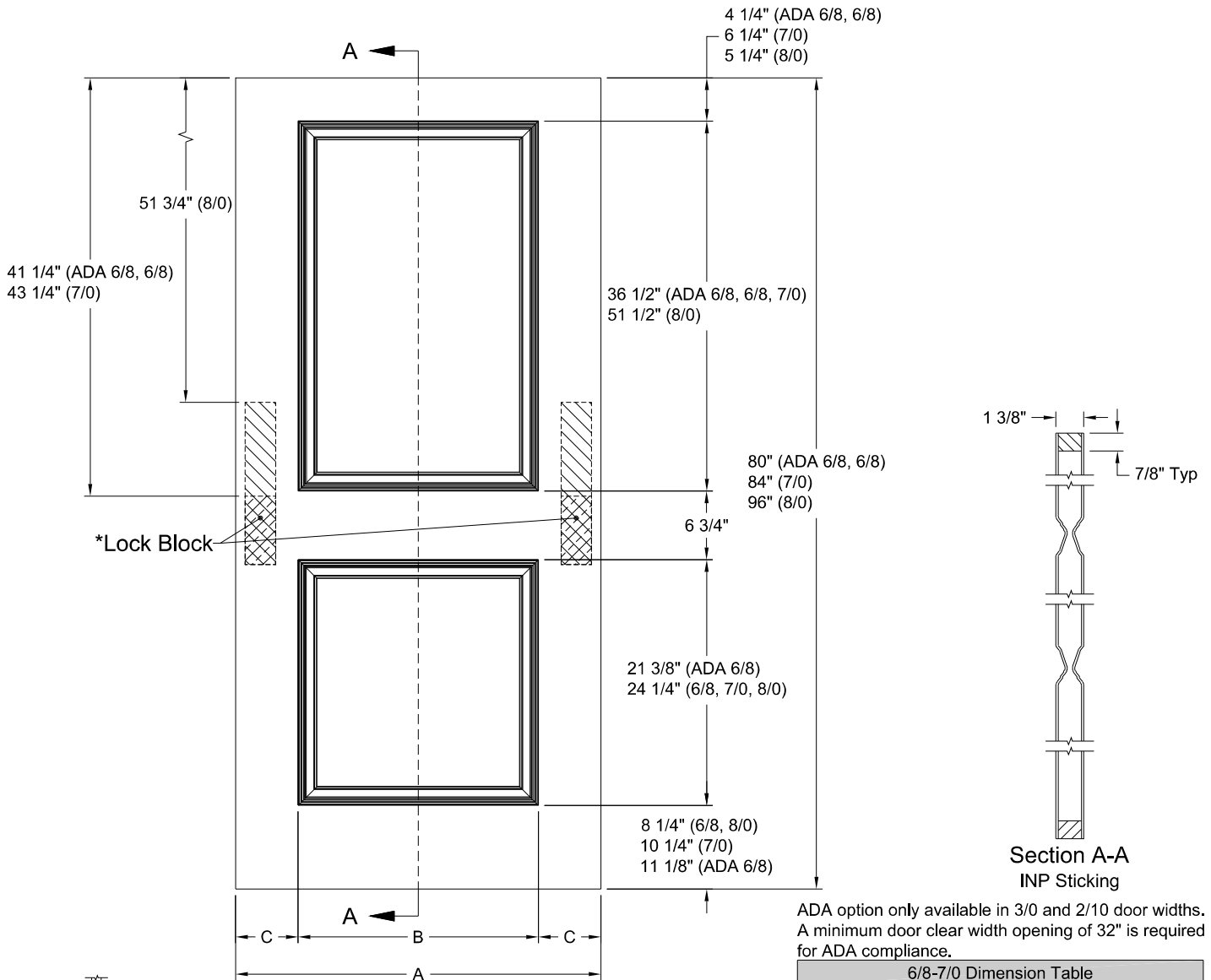
Cabinets & Countertops



Division 06.440

Interior Trim & Doors

CARRARA® SMOOTH - ADA 6/8, 6/8, 7/0 & 8/0



ADA option only available in 3/0 and 2/10 door widths. A minimum door clear width opening of 32" is required for ADA compliance.

8/0 Dimension Table				
Door Width	A	B	C	D
3/0	36"	23 11/16"	6 1/8"	3"
2/10	34"	21 11/16"	6 1/8"	3"
2/8	32"	21 11/16"	5 1/8"	3"
2/6	30"	19 11/16"	5 1/8"	3"
2/4	28"	17 11/16"	5 1/8"	3"
2/2	26"	15 11/16"	5 1/8"	3"
2/0	24"	15 11/16"	4 1/8"	3"
1/10	22"	15 11/16"	3 1/8"	2 1/8"
1/8	20"	11 15/16"	4"	3"
1/6	18"	11 15/16"	3"	1 5/8"
1/4	16"	7 1/16"	4 7/16"	3"
1/3	15"	7 1/16"	3 15/16"	3"
1/2	14"	7 1/16"	3 7/16"	2 1/8"
1/0	12"	7 1/16"	2 7/16"	1 3/8"

6/8-7/0 Dimension Table				
Door Width	A	B	C	D
ADA 3/0	36"	23 11/16"	6 1/8"	3"
3/0	36"	23 11/16"	6 1/8"	3"
ADA 2/10	34"	23 11/16"	5 1/8"	3"
2/10	34"	21 11/16"	6 1/8"	3"
2/8	32"	21 11/16"	5 1/8"	3"
2/6	30"	19 11/16"	5 1/8"	3"
2/4	28"	17 11/16"	5 1/8"	3"
2/2	26"	15 11/16"	5 1/8"	3"
2/0	24"	15 11/16"	4 1/8"	3"
1/10	22"	15 11/16"	3 1/8"	2 1/8"
1/8	20"	11 15/16"	4"	3"
1/6	18"	11 15/16"	3"	1 5/8"
1/4	16"	7"	4 1/2"	3"
1/3	15"	7"	4"	3"
1/2	14"	7"	3 1/2"	2 1/8"
1/0	12"	7"	2 1/2"	1 3/8"

All Molded Collection doors available in 1 3/8" and 1 3/4" panel thickness.
*Number & size of lock blocks may vary by model and customer selection.
Solid core doors do not have separate lock blocks.



Division #7



Division 07.200

Insulation



Division 07.300

**Roofing / Gutters &
Downspouts**



Division 07.400
Exterior Siding & Trim



Division 07.950

Mold Prevention



Division 07.900

Waterproofing & Sealants



Division #8

Division 08.340

**Smoke Containment
System**



Division 08.360

Overhead Doors



Division 08.410

Storefronts



Division 08.500

Windows



Division #9



Division 09.100

**Custom Cabinetry &
Millwork**



Division 09.200

Drywall



Division 09.250

Final Cleaning



Division 09.700

Flooring



Avian Collection

2mm 8 and 12 mil Glue Down LVT

309- Mallard





Avian Collection

Product Dimensions: 7" x 48"

Thickness: 2mm

Wear Layer: 8 mil

Finish: Ceramic Bead

SF Per Carton: 51.33

SF Per Pallet: 2,566.50

Cartons Per Pallet: 50

Pallet Weight (KG): 890

SF Per Container: 51,330.00

Container Weight (KG): 17,800

Installation: Direct Glue

*Warranty: 5 Year Residential****

Color Variation: Moderate

Attached Pad: No

Product Dimensions: 7" x 48"

Thickness: 2mm

Wear Layer: 12 mil

Finish: Ceramic Bead

SF Per Carton: 51.33

SF Per Pallet: 2,566.50

Cartons Per Pallet: 50

Pallet Weight (KG): 890

SF Per Container: 51,330.00

Container Weight (KG): 17,800

Installation: Direct Glue

*Warranty: 15 year Residential****

Color Variation: Moderate

Attached Pad: No

*** Note all warranties are based on King Tide Interiors Limited Product Warranty





Avian Collection



Finch - 301



Egret - 302



Wren - 303



Tern - 304



Blue Heron - 305



Robin - 306



Sparrow - 307



Barred Owl - 308



Mallard - 309



King Fisher - 310



Sandpiper - 311



Chickadee - 312



Osprey - 202





Color Collection

Color Collection

Our flagship collection. This classic has been revamped with a variety of formats and finishes to make it more modern and versatile. Ideal for any commercial or residential space, let our color palette be the inspiration for your next project.



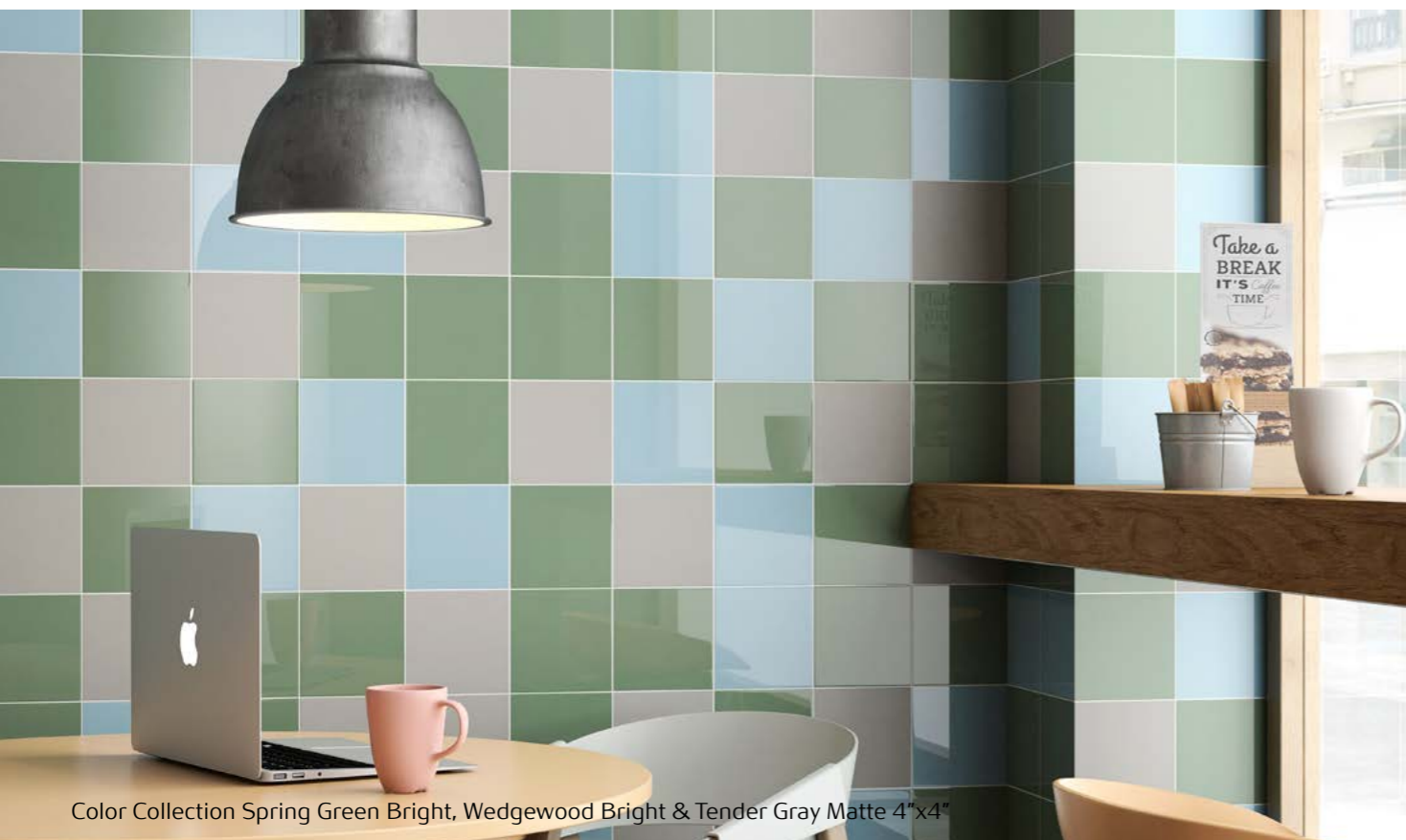
Color Collection Taupe Bright 6"x18"

Ceramic Wall

- ☰ 2"x8" - 3"x6" - 3"x12" - 3"x12" Picket - 4 ¼"x4 ¼" - 4 ¼"x10" - 4"x12" - 4"x16" - 6"x6" - 6"x18" - 13"x24" - 10"x28"



Color Collection White Ice Bright 2"x8"



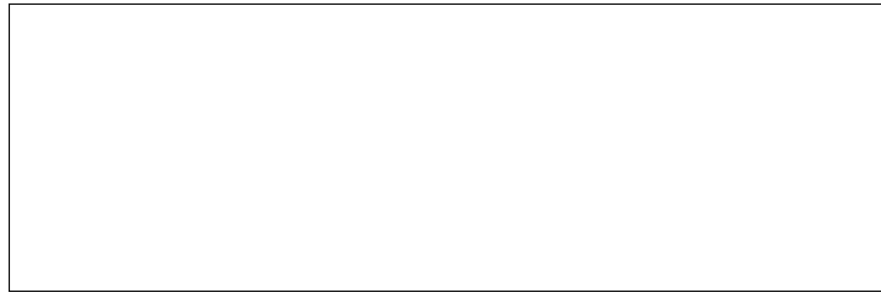
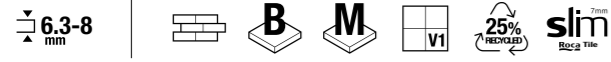
Color Collection Spring Green Bright, Wedgewood Bright & Tender Gray Matte 4"x4"



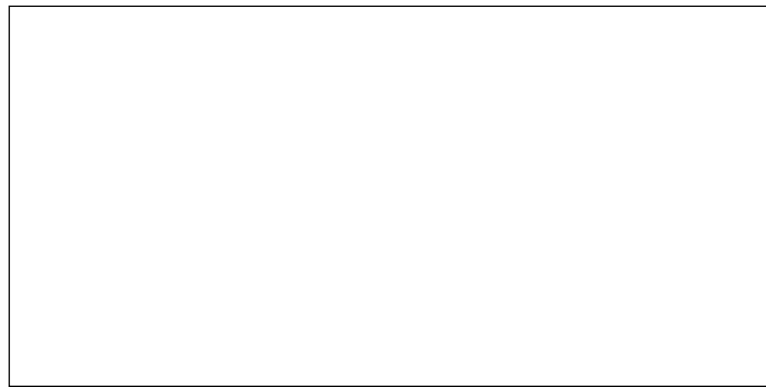
Color Collection White Ice Bright 4"x4"

Color Collection

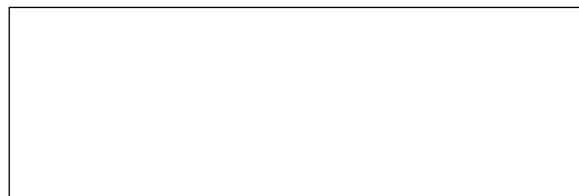
Ceramic Wall



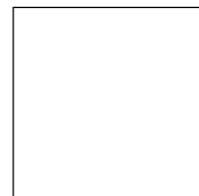
10"x28"
25x71 cm



13"x24"
33x60 cm



6"x18"
15x45 cm



6"x6"
15x15 cm



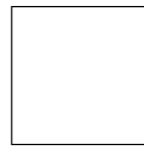
4"x12"
10x30 cm



4 1/4"x16"
11x40 cm



4 1/4"x10"
11x25 cm



4 1/4"x4 1/4"
11x11 cm



3"x6"
7.7x15 cm



3"x12"
7.7x30.5 cm

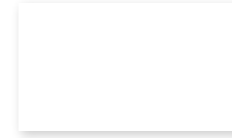


3"x12" Picket
7.7x30.5 cm

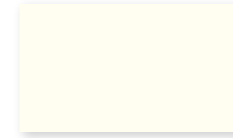


2"x8"
5x20 cm

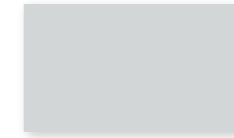
GROUP 0



White Ice Bright U081
2x8, 3x6, 3x12, 3x12 Picket,
4 1/4x4 1/4, 4 1/4x10, 4x12, 4 1/4x16,
6x6, 6x18, 9 1/2x13, 13x24, 10x28

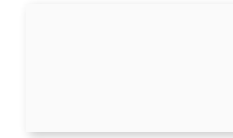


Biscuit Bright U074
2x8, 3x6, 4 1/4x4 1/4, 4 1/4x10, 4 1/4x16,
6x6, 6x18

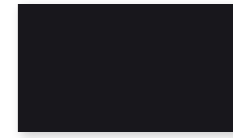


Tender Gray Bright U761
2x8, 3x6, 3x12, 3x12 Picket,
4 1/4x4 1/4, 4 1/4x10, 4 1/4x16, 6x6, 6x18

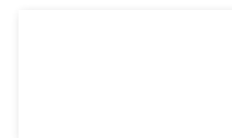
GROUP 1



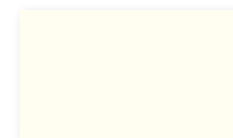
Snow White Bright U072
3x6, 4 1/4x10



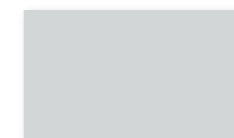
Black Bright U759
3x6, 4 1/4x4 1/4, 6x6



White Ice Matte U281
2x8, 3x6, 3x12, 3x12 Picket,
4 1/4x4 1/4, 4 1/4x10, 4 1/4x16, 6x6, 6x18



Biscuit Matte U274
3x6, 4 1/4x4 1/4, 4 1/4x10, 4 1/4x16, 6x6



Tender Gray Matte U261
3x6, 3x12, 3x12 Picket, 4 1/4x4 1/4,
4 1/4x10, 4 1/4x16, 6x6



Taupe Bright U789
3x6, 4 1/4x4 1/4, 4 1/4x10, 4 1/4x16,
6x6, 6x18



Taupe Matte U289
3x6, 4 1/4x4 1/4, 4 1/4x10, 4 1/4x16,
6x6

GROUP 2



Bone Bright U078
3x6, 4 1/4x4 1/4, 6x6



Dark Gray Bright U769
3x6, 4 1/4x4 1/4, 6x6



Cobalt Bright U726
3x6, 4 1/4x4 1/4, 6x6

GROUP 3



Mustard Bright U745
3x6, 4 1/4x4 1/4



Yellow Bright U744
3x6, 4 1/4x4 1/4

GROUP 3



Olive Green Bright U715
3x6, 3x12, 4 1/4x16



Soft Blue Bright U723
3x6, 3x12, 4 1/4x16



Deep Blue Bright U725
3x6, 3x12, 4 1/4x16



Kelly Bright U719
3x6, 4 1/4x4 1/4



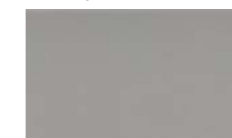
Spring Green Bright U711
3x6, 4 1/4x4 1/4

GROUP 4



Red Pepper Bright U739
3x6, 4 1/4x4 1/4, 4 1/4x10, 6x6

Color Splash



Neu Gray U705
3x12, 4x12



Petrol U706
3x12, 4x12



Teal U707
4x12



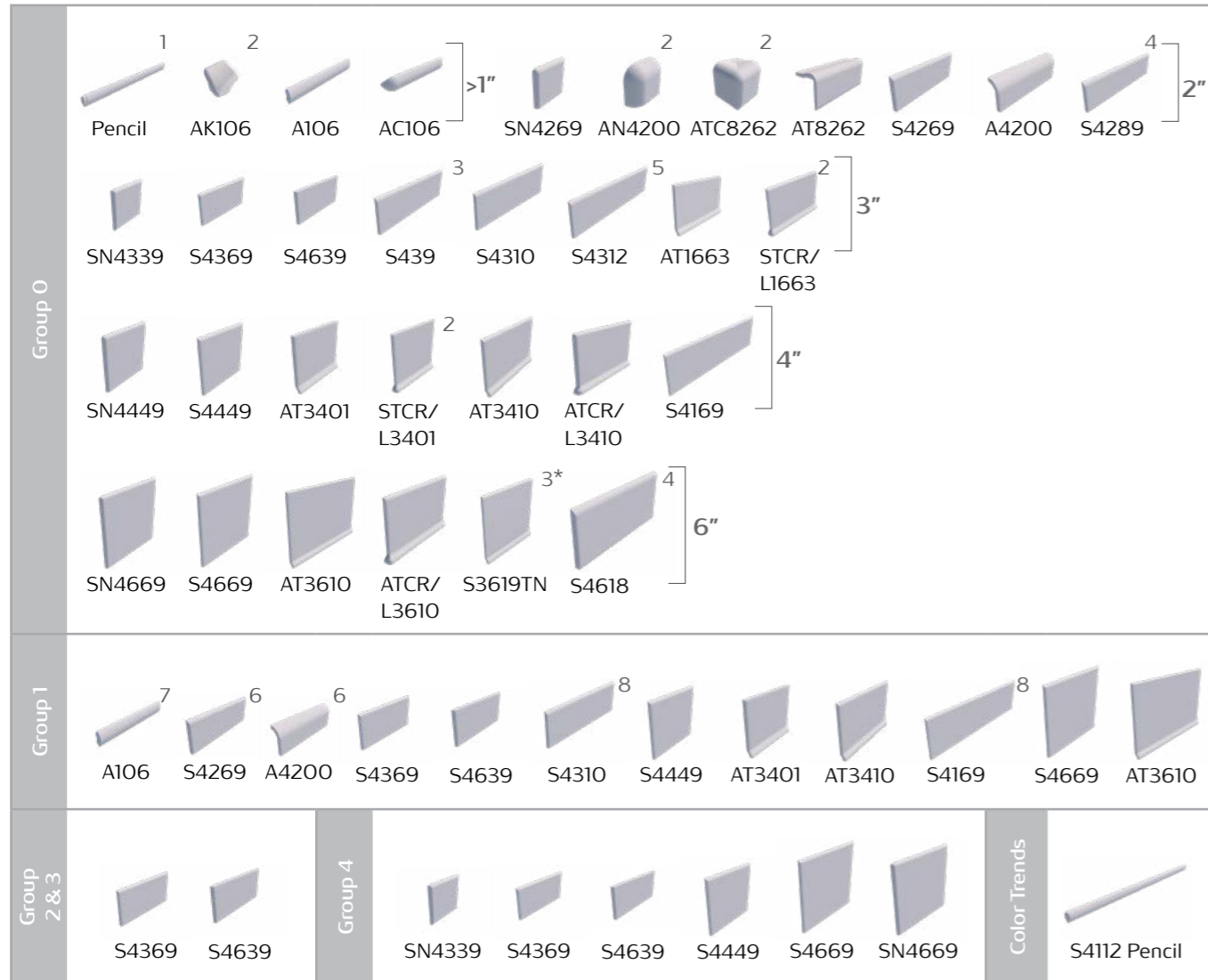
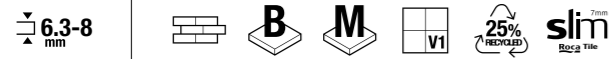
Mist U708
3x12, 4x12



Sage Green U709
3x12

Color Collection Trims

Ceramic Wall



1. U081 & U761 Only; 2. U081 & U281 Only; 3. U081 Only; 4. U261 & U274 Not available; 5. U074 & U274 Not available; 6. U789 & U289 Not available; 7. U072 Not available; 8. U789 & U289 Only.

*Meets Los Angeles County Construction Code

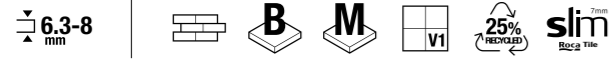
Trims Descriptions

SKU #	Description	SKU #	Description	SKU #	Description
PENCIL	1/2x6 Pencil	S4289	2x8 Surface Bullnose	AT3401	4¼x4¼ Cove Base
S4112	1/2x12 Pencil	SN4339	3x3 Surface Bullnose Angle	STCR/L3401	4¼x4¼ Cove Angle
AK106	¾x¾ Universal In Angle	S4369	3x6 6" Surface Bullnose	AT3410	4x6 Cove Base
A106	¾x6 Bead	S4639	3x6 3" Surface Bullnose	ATCR/L3410	4x6 Cove Angle
AC106	¾x6 Bead Out Angle	S439	3x9½ Surface Bullnose	S4169	4x16 Surface Bullnose
SN4269	2x2 Surface Cap Angle	S4310	3x10 Surface Bullnose	S4669	6x6 Surface Bullnose
AN4200	2x2 Radius Cap Angle	S4312	3x12 Surface Bullnose	SN4669	6x6 Surface Bullnose Angle
AT8262	2 1/8x2 5/8x6 Sink Rail	AT1663	3x6 Cove Base	AT3610	6x6 Cove Base
ATC8262	2 1/8x2 5/8 Sink Rail Angle	STCR/L1663	3x6 Cove Angle	ATCR/L3610	6x6 Cove Angle
S4269	2x6 Surface Cap	S4449	4¼x4¼ Surface Bullnose	S3619TN	6x6 Sanitary Cove Base
A4200	2x6 Radius Cap	SN4449	4¼x4¼ Surface Bullnose Angle	S4618	6x18 Surface Bullnose



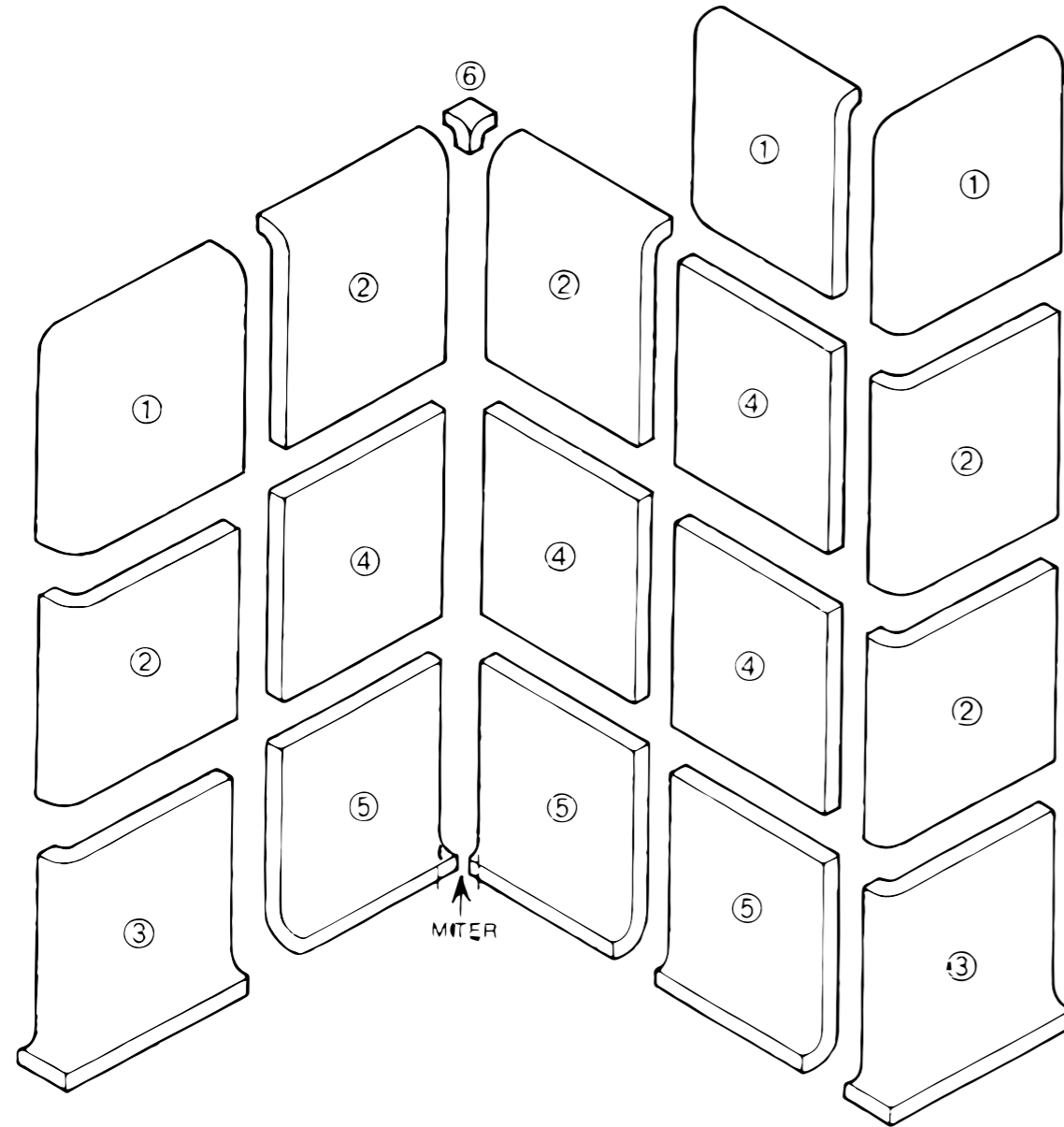
Color Collection

Ceramic Wall



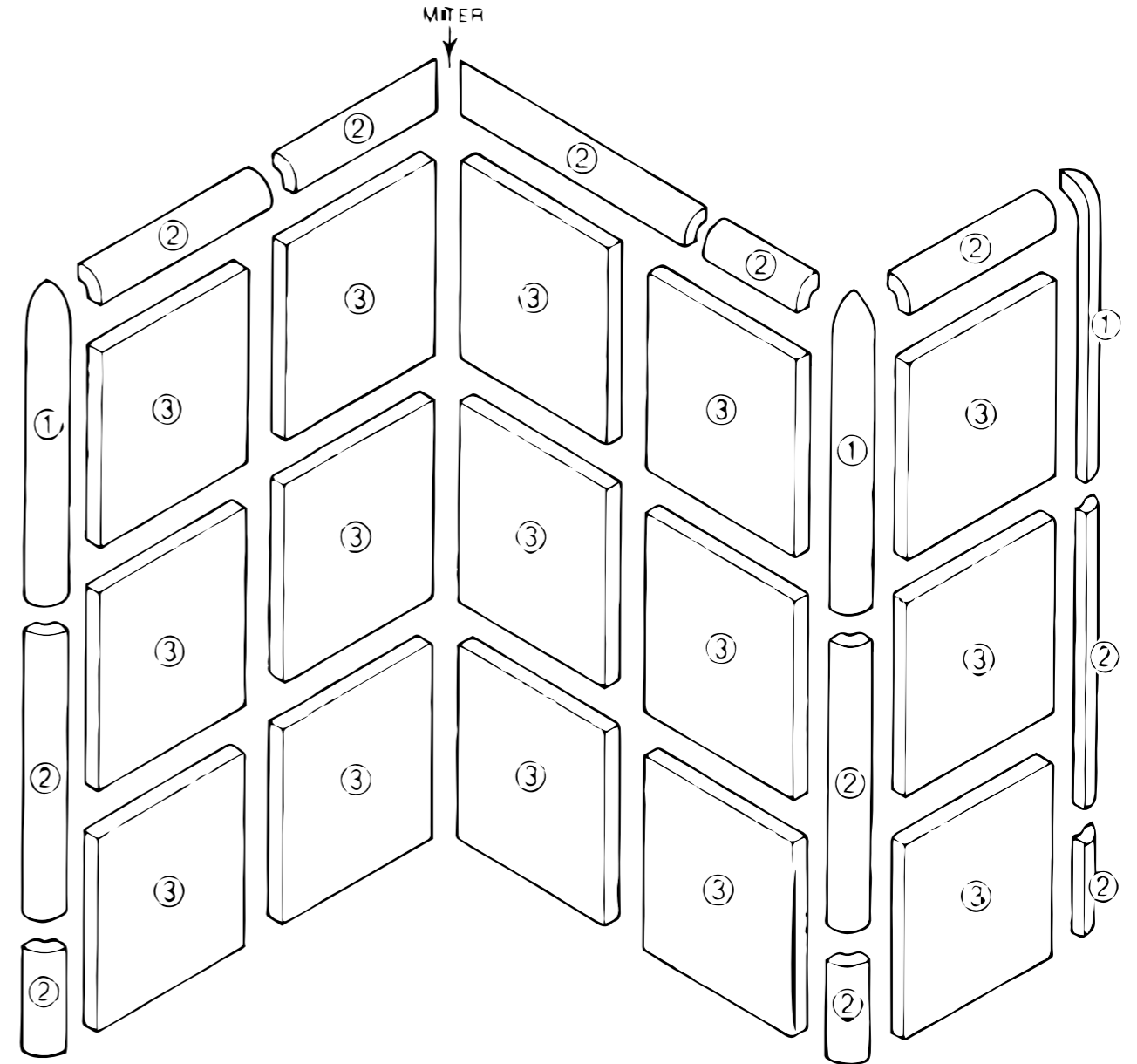
Trims Installation Suggestion

4 1/4" x 4 1/4" Conventional Square in Corners



- 1. SN4449 - 4 1/4 x 4 1/4 Surface Bullnose Angle
- 2. S4449 - 4 1/4 x 4 1/4 Surface Bullnose
- 3. STCR3401 - 4 1/4 x 4 1/4 Cove Angle
- 4. 4 1/4 x 4 1/4 Field Tile
- 5. AT3401 - 4 x 4 Cove Base
- 6. AK106 - 3/4 x 3/4 Universal In Angle

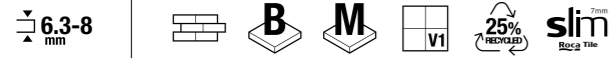
4 1/4" x 4 1/4" Conventional Square in Corners



- 1. AC106 - 3/4 x 6 Bead Out Angle
- 2. A106 - 3/4 x 6 Bead
- 3. 4 1/4 x 4 1/4 Field Tile

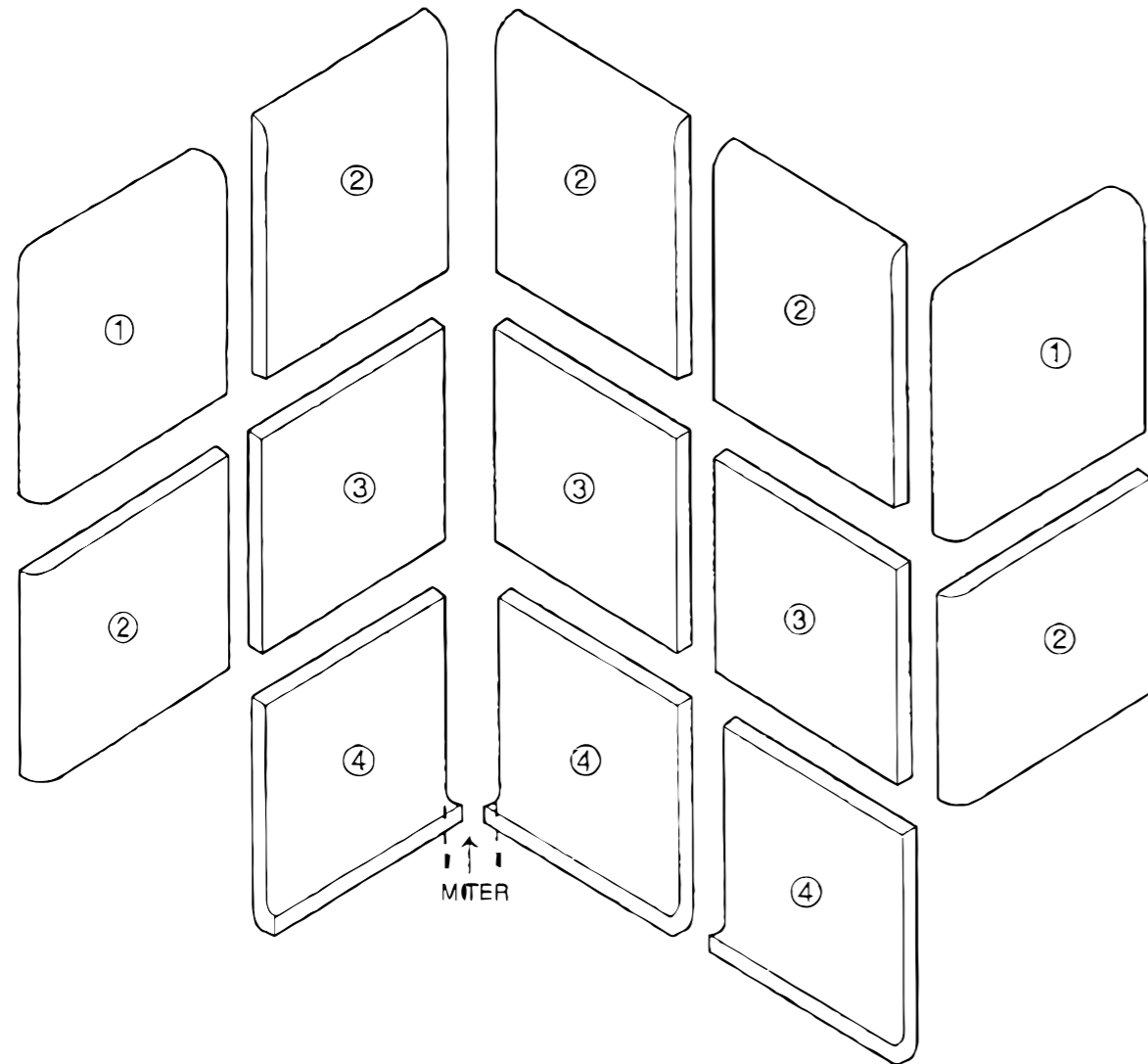
Color Collection

Ceramic Wall



Trims Installation Suggestion

6"x6 Thin-Set Square in Corners



- 1. SN4669 - 6x6 Surface Bullnose Angle
- 2. S4669 - 6x6 Surface Bullnose
- 3. 6x6 Field Tile
- 4. AT3610 - 6x6 Cove Base



Color Collection White Ice Bright 6"x6"



Color Collection Tender Gray Bright 3"x6"



Color Collection Biscuit Matte 4"x6"

Color Collection

Ceramic Wall

Technical Specifications

CHARACTERISTICS	STANDARD	DECLARED ASTM
Water Absorption	C373	>10%
Break Strength	C648	Meets or exceeds
Scratch Hardness	MOH's Scale	3
Chemical Resistance	C650	Unaffected
Shade and Texture Rating	CTDA "V"	V1
Warpage	C485	Pass
Wedging	C502	Pass

Packaging Info

Size	SF per carton	PC per carton
2"x8"	6.50	60
3"x6"	10.00	80
3"x6"	11.26	88
3"x12"	12.59	50
3"x12"	12.64	50
3"x12" Picket	11.79	50
4¼"x4¼"	10.00	80
4¼"x10"	11.25	38
4"x12"	12.64	32
4"x12"	11.51	32
4¼"x16"	15.33	32
6"x6"	12.60	50
6"x8"	6.45	60
6"x18"	12.00	16
6"x18" White Ice (7mm)	13.45	18
13"x24"	23.49	11
10"x28"	13.13	7



Division 09.900

Painting



Division #10

Division 10.000

Specialties

SAFE LOCK

by **Kwikset**



WINSTON™ Lever

- ANSI/BHMA Grade 3 certified security
- 3-hour UL fire-rated product available
- ADA Compliant
- Lifetime Warranty
- Available in round and square rose
- Push-Button locking feature available on privacy and entry function



Passage function
in Satin Nickel



Privacy function
in Satin Nickel



Entry function
in Satin Nickel



Dummy function
in Satin Nickel

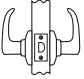
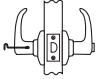
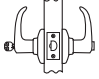
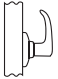
SAFE LOCK

by **Kwikset**

Specifications

Door Prep	Cross Bore 2-1/8", Edge Bore 1"
Backset	Adjustable 2-3/8" or 2-3/4".
Door Thickness	1-3/8" - 1-3/4" standard doors
Cylinder	Traditional 5-Pin, Pin & Tumbler
Faceplates	1" x 2-1/4" Round corner or drive-in
Strikes	2-1/4" full lip, specify round corner
Bolt	1/2" Throw
Door Handing	Non-handed
ANSI/BHMA	Grade 3 certified
UL	Meets 3 hour UL fire rating for SL1002.

Function Availability

	Model No.	Description
	1000/1002UL	Passage/Hall/Closet: Both levers always free.
	4000	Privacy/Bed/Bath: Both levers locked or unlocked by push button inside. Outside knob unlocked by emergency key.
	6000	Entry: Both levers locked or unlocked by key outside or push button inside.
	7000	Half Dummy Trim, Surface Mounted: For doors where only a pull is required. No operation.

Available Finishes



15 Satin Nickel



26D Satin Chrome



514 Matte Black



15 Satin Nickel



26 Polished Chrome



514 Matte Black

Monterrey Series



Materials

Post material: zinc

Specifications

2 7/8" extension from wall

1 7/8" base

Concealed screw mounting with slotted, standard head set screw

Plated steel mounting brackets with two screws each

Nylon drywall anchors included

Finishes

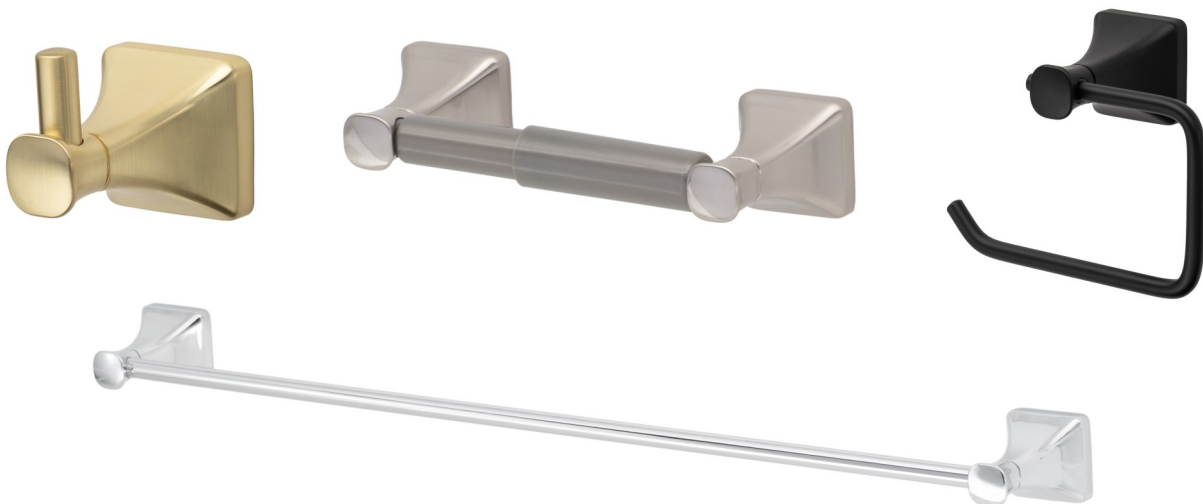
15 Satin Nickel

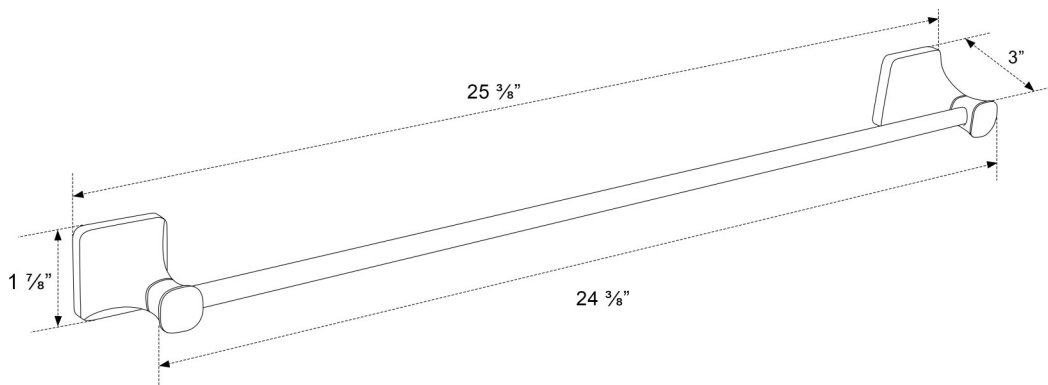
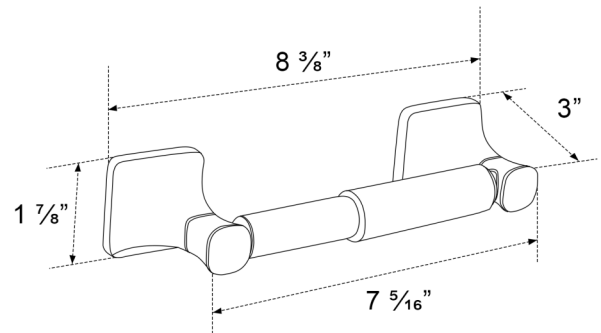
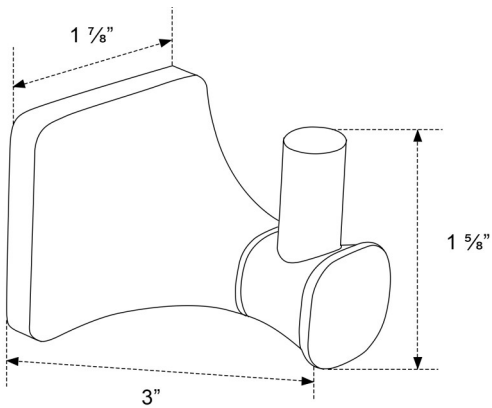
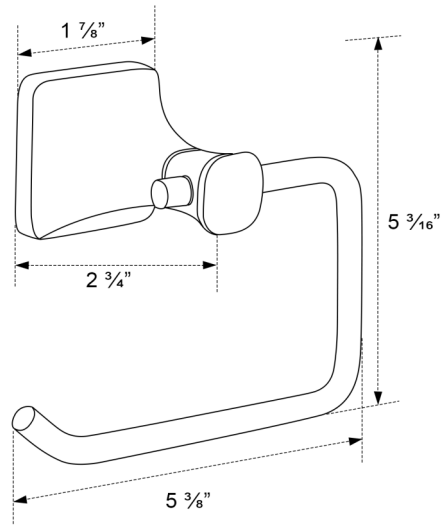
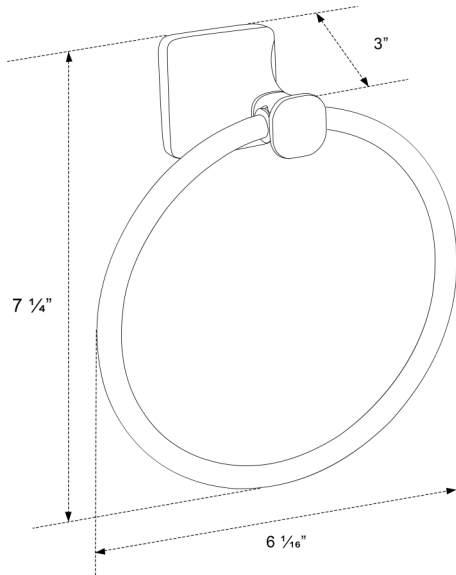
26 Polished Chrome

FBL Flat Black

SB Satin Brass

DESCRIPTION	PRODUCT CODE	CASE
24" Towel Bar	MT-TB24	20
30" Towel Bar	MT-TB30	20
Towel Ring	MT-TR1	30
Single Post Paper Holder	MT-PH1	30
Two-Post Paper Holder	MT-PH2	30
Robe Hook	MT-RH1	30







Ventilated Wire Shelving System

Rubbermaid





Rubbermaid®

With over 30 years of experience in the industry, Rubbermaid® is proud to continue to be a trusted brand for storage and organization solutions that builders and homeowners can rely on.

Proudly designed and manufactured in the USA, our original wire innovations include the FreeSlide™ and TightMesh® shelf styles and FastSet Hardware® for intuitive shelf installation.

**To learn more, please visit:
Rubbermaidpro.com**

Left: Kitchen Pantry featuring TightMesh® Shelving on Pole





Optimal Storage Solutions

Rubbermaid's ventilated wire shelving selection provides optimal storage options for each area of the home, including storage rooms, utility rooms, laundry rooms, pantries, and closets.

Every wire shelf is proudly manufactured in Jackson, Missouri with 90% recycled and recyclable steel and backed by a limited lifetime warranty.



Opposite Top: Kitchen Pantry featuring TightMesh® on FastTrack® System

Opposite Bottom Left: Hallway Closet featuring TightMesh® and Linen Shelving on Wall Brackets

Opposite Bottom Right: Bedroom Closet featuring FreeSlide™ and TightMesh® Shelving on Pole and Wall Brackets

Top: Linen Closet featuring Linen Shelving on FastTrack® System

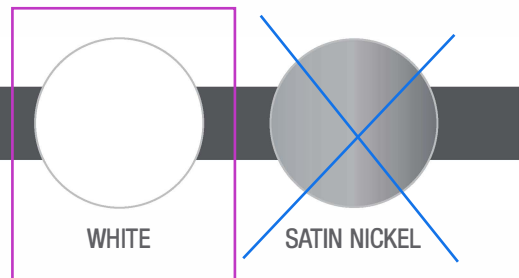


TightMesh® Shelving

Wire Shelf Styles

Create simple, cost-effective, and functional storage solutions with our ventilated wire shelving. Multiple depths and styles are available to fit any space's organizational needs. Each shelf is constructed of durable steel coated with an epoxy-polyester coating for a smooth, long-lasting finish that elevates any environment.

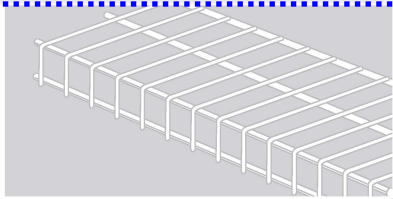
AVAILABLE FINISHES *See page 10 for full details.*



GREENGUARD is the industry leader in stringent 3rd party product certification. GREENGUARD assures that Rubbermaid® wire shelving products are certified to emit minimum levels of volatile organic compounds (VOCs), including formaldehyde, to improve indoor air quality.

FreeSlide™ Shelving

Mounting Heights per Rubbermaid Installation Template

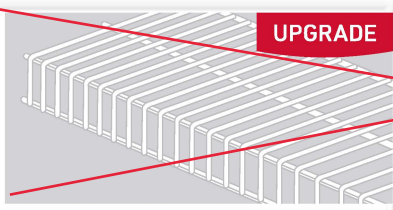


Linen

Ideal for clothes, linens, utility, and shoe storage throughout the home.

16" Linen

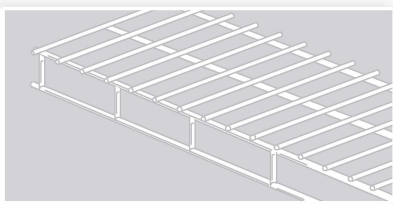
- Linen/Pantry Closets | x5 Shelves



UPGRADE

TightMesh®

~~Provides additional strength while keeping small items from tipping and preventing lines on clothing. Ideal for pantries, laundry shelves, and utility rooms.~~



Wardrobe

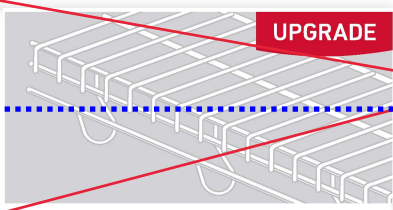
Combines shelf storage with clothes hanging convenience. Ideal for smaller bedroom closets and coat closets.

12" Shelf & Rod

- Bedroom Closets | Single Rows & Double Rows where indicated on plans

- Coat Closets | Single Rows

- Side by Side Laundry | x1 Shelf



UPGRADE

FreeSlide™

~~Allows hangers to glide without interruption. Ideal for master closets, kids closets, and guest bedrooms.~~

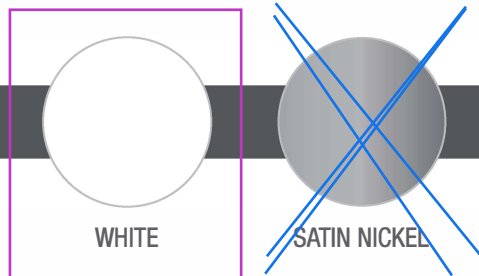
Direct Mount Fixed Shelving

Designed to work with ½" and ⅝" thick wall materials, **Direct Mount** can be installed to fit various configurations: wall-to-wall, wall-to-open, and open-to-open. Wall brackets and poles easily mix and match for a personalized storage solution.

Rubbermaid's patented **FastSet Hardware**® with pre-loaded pins for Direct Mount is quicker to install than traditional hollow wall anchoring systems and is compatible with most standard wall systems to create long-lasting and sturdy storage solutions.



AVAILABLE FINISHES See page 10 for full details.

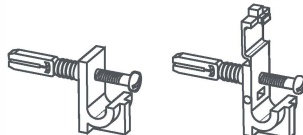


WHITE

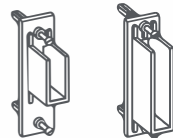
~~SATIN NICKEL~~

FASTSET HARDWARE®


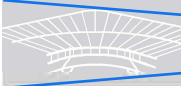
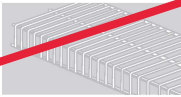
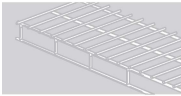

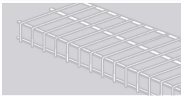
PRE-LOADED BACK CLIPS



PRE-LOADED WALL BRACKETS

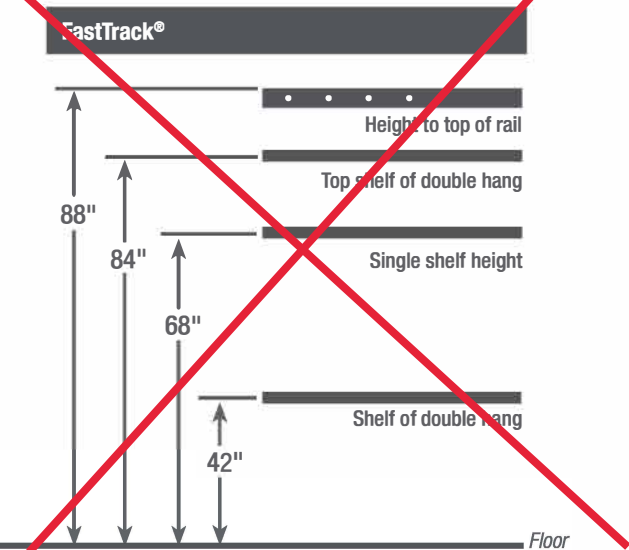
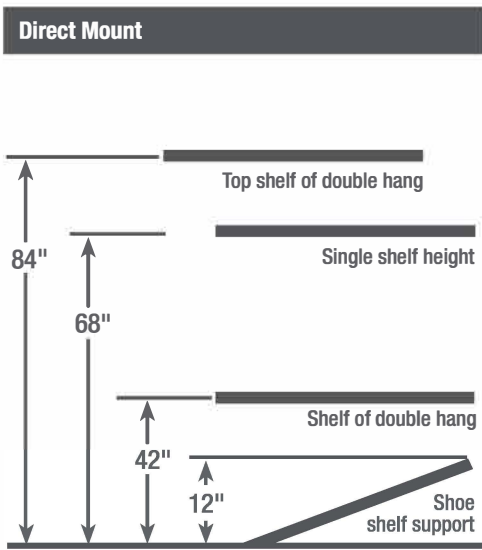


Ventilated Wire Shelving System Specifications

Wire Shelf Style	Depths Available	Finishes Available
FreeSlide™		
 FreeSlide™ Shelving	12", 16"	<input type="checkbox"/> WHITE <input checked="" type="checkbox"/> SATIN NICKEL
 FreeSlide™ Corner Shelves	12"	<input type="checkbox"/> WHITE
TightMesh®		
 TightMesh® Shelving	9", 12", 16", 20"	<input type="checkbox"/> WHITE <input checked="" type="checkbox"/> SATIN NICKEL
Wardrobe		
 Wardrobe Shelving	12", 16"	<input type="checkbox"/> WHITE <input checked="" type="checkbox"/> SATIN NICKEL
 Wardrobe Corner Shelving	12"	<input type="checkbox"/> WHITE
Linen		
 Linen Shelving	9", 12", 16"	<input type="checkbox"/> WHITE <input checked="" type="checkbox"/> SATIN NICKEL

White and Satin Nickel color options are available for both Direct Mount and FastTrack® mounting systems and hardware.

Recommended Installation Heights



Architectural Guide Specifications

Part 1 - General

1.1 Related Documents

- A. Drawings and general provisions of contract, including general and supplementary conditions and division-1 specification sections, apply to the work of this section.

1.2 Summary

- A. This section includes the following "Ventilated Wire Storage Shelving": FreeSlide™ Shelving, TightMesh® Shelving, Double Lip Shelving, Corner Shelves, Shelf & Rod, and Linen Shelving.

1.3 Submittals

- A. Product Data: For each type of ventilated wire storage shelving specified, include details of construction and connections relative to materials, dimensions of individual components, and accessories.
 B. Samples: Of each ventilated wire storage shelving required, not less than 12 inches long in size.

1.4 Quality Assurance

- A. Single Source Responsibility: Obtain ventilated wire storage shelving from a single manufacturer.

1.5 Delivery, Storage and Handling

- A. Comply with instructions and recommendations of manufacturer for special delivery, storage, and handling requirements.
 B. Store shelving in a manner to avoid significant or permanent damage of shelves.

1.6 Coordination

- A. Coordinate layout and installation of ventilated wire storage shelving with other construction to which it is attached, including floor, partitions and wall assemblies.

1.6 Environmental Specifications

- A. GREENGUARD Certified (indoor air quality) - Emits low levels of volatile organic compounds (VOC) or formaldehyde, requires no sealants or paint during installation, promotes air circulation, preventing mold and dust.
 B. Recyclable Material - Verified by FTC Regulations: Rubbermaid's wire shelving is made from 100% recycled steel and is 100% recyclable with construction waste.

Part 2 - Products

2.1 Manufacturers

- A. Manufacturers: Subject to compliance with requirements, provide products by the following: Rubbermaid Home Products.

2.2 Materials

- A. All ventilated wire storage shelving shall be constructed of Grade C-1008 bright, basic, cold-drawn steel wire with average tensile strength of 100,000 psi.

- B. All steel wire shall be resistance welded at intersections of cross deck wires spaced at 1" increments and trimmed smooth.
 C. TightMesh® steel wire spacing shall be on 1/2" increments and trimmed smooth.

2.3 Finishes

- A. Material shall be cleaned and covered with an iron phosphate coating to ensure proper bond with finish coat.
 B. Finish all ventilated wired shelving with baked-on non-toxic and environmentally friendly epoxy coating.
 C. Finish coat shall consist of a continuous 3-5 mil epoxy-polyester hybrid powder coating to provide a hard, smooth, durable finish.

2.4 Mounting Hardware

- A. Mounting hardware components shall provide shelving installation to drywall partitions and walls, without requiring mounting to concealed structural members.
 B. Support braces are required for 36" to 42" span.
 C. Back clips shall be mounted on 12" increments beginning 1-1/2" to 2" from side wall.

2.5 Shelving Accessories

- A. Shelving installation aids available to assist in the installation of shelving components:
 1. 12" and 16" installation templates
 2. 9" and 20" installation templates
 3. Pneumatic cutter
 4. Cutter replacement jaws
 5. White epoxy touch-up paint
 B. Fast Set pre-loaded installation system developed to secure shelving systems to adjacent walls.
 1. 1/2" and 5/8" back clips
 2. 1/2" and 5/8" flap less back clips
 3. Wall bracket and FreeSlide wall bracket
 4. Shoe shelf support
 5. Wall anchor
 C. Support braces used to support front edge of shelving system.
 1. 9", 10", 12" and 16" support brace - FastSet
 D. Miscellaneous hardware for complete installation of shelving system:
 1. Small, large and TightMesh® end caps
 2. Metal corner bracket
 3. Phillips screws
 4. 1/4" anchors
 5. Rod spacer clips
 6. FreeSlide™ rod spacer cap
 7. Joiner plate set and FreeSlide™ joiner plate
 8. FreeSlide™ joiner plate and rod spanner
 9. All-purpose clamp
 10. Wall bracket and FreeSlide™ wall bracket
 11. Angle wall bracket
 12. Anchor-less back clips
 13. Shoe shelf support
 14. Shelf edge trim
 15. F channel, 8 ft. lengths

- E. Pole Systems
 1. 68" and 84" poles
 2. Square pole cap
 3. #8 self-tapping screw
 4. Pole clamp and TightMesh® pole clamp
 5. 1/2" self-tapping screw

2.6 Fabrication

- A. Fabricate ventilated wire storage shelving square, rigid, flat, and free of dents or distortion. Fabricate connections to form a rigid structure, free of buckling and warping.

Part 3 - Execution

3.1 Inspection

- A. Examine areas and conditions for compliance with requirements for installation tolerances, clearances, and other conditions affecting installation.
 B. Examine walls to which ventilated wire storage shelving will be attached for proper selection of appropriate fastening hardware.
 C. Installation hardware shall be included which does not require attachment to concealed structural framing.
 D. Proceed with installation only after unsatisfactory conditions have been corrected.

3.2 Installation

- A. Install shelving system and accessories after finishing operations, including painting have been completed. Install system to comply with final layout drawings, in strict compliance with manufacturers printed instructions. Position units level, plumb at proper location relative to adjoining units and related work. Adjust accessories to provide visually acceptable installation.

3.3 Field Quality Control

- A. Remove and replace shelving components that are chipped, scratched, or otherwise damaged and which do not match adjoining work. Provide new matching units, installed as specified and in manner to eliminate evidence of replacement.

3.4 Adjust

- A. Adjust components and accessories to provide visually acceptable installation.

3.5 Cleaning

- A. Remove surplus materials, rubbish and debris resulting from installation upon completion of work and leave areas of installation in neat, clean condition.

Shelving Load Capacities

Open to Open			Wall to Open			Wall to Wall		
Shelf Length	Total Weight*	Per Lineal Ft.	Shelf Length	Total Weight*	Per Lineal Ft.	Shelf Length	Total Weight*	Per Lineal Ft.
1 ft.	75	75	1 ft.	90	90	1 ft.	105	105
2 ft.	130	65	2 ft.	140	70	2 ft.	150	75
3 ft.	135	45	3 ft.	150	50	3 ft.	180	60
4 ft.	160	40	4 ft.	180	45	4 ft.	220	55
5 ft.	175	35	5 ft.	200	40	5 ft.	250	50
over 6 ft.	180	30	over 6 ft.	210	35	over 6 ft.	252	42

*Based on recommended installation methods. Load capacity will vary depending on specific applications.

- Use an All-Purpose Clamp (one at least every 4 ft.) to secure shelf to back wall. All-Purpose Clamps install into studs located along the back wall at desired shelf height.
- Open end shelf installations require one support brace 1" from open end of shelf.
- Back clips are to be placed at maximum distance of 12" along back wall for all applications.
- Shelf-over-shelf or stacked shelf system must be 13" apart to allow room for Support Braces.



©2023 Rubbermaid Incorporated
8900 Northpointe Executive Park Drive, Huntersville, NC 28078
www.rubbermaidpro.com
1-877-533-1197

5/23 | 233298726

Reorder # 2203131

Rubbermaid



Building Products

08.22.05
Issue #27

Building Product Bulletin

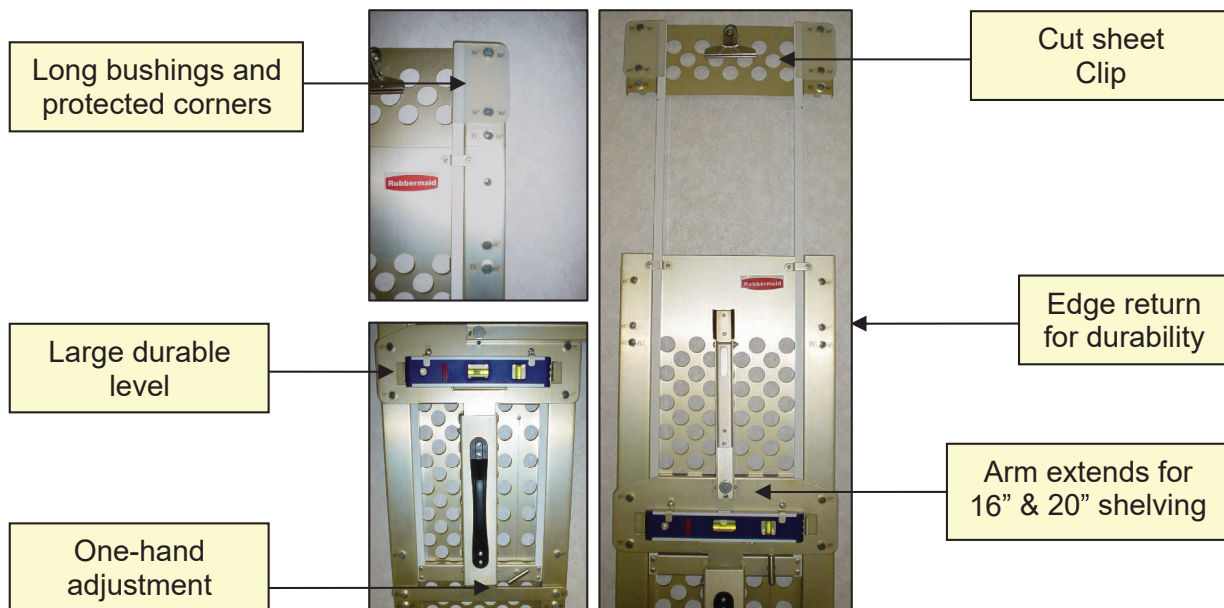
Introducing the Next Generation Builder Installation Template..

The Rubbermaid Building Products team would like to officially announce the launch of the next generation wire shelving installation template. Available immediately, the new template improves upon and replaces the current 5550, 12" & 16" Installation Template, which will become obsolete on 9/15/05. The FG3J8300ZINC, Builder Installation Template, is designed for easy and efficient pre-drilling of holes for wall brackets and back clips used in the mounting of 12", 16", and 20" Rubbermaid ventilated wire shelving.

The new template incorporates a significant number of features that are a direct result of feedback received from both dealer installers and manufacturer's representatives. These improvements are listed below.

New Features & Benefits

- Labeled drill heights provide easy identification of correct drill holes
- Spring-released pull extends template upwards with one hand for 84" hole drilling
- Drop-down foot extends template further to drill 96"; one-piece foot provides more strength and prevents snags on rough floors
- Tapered drill bushings ease drill bit entry and are longer to clear baseboards; drill bushings are now easily replaced when needed
- Template bottom now clears 11" baseboards to better accommodate new homes
- Spring-loaded pivot arm provides quick and easy adjustment for 16" and 20" shelving; protective plastic ends on pivot arms prevent inadvertent markings on the wall
- Protective plastic covers on the template top corners stop gouging of the wall
- Clipboard clip holds closet layout sheets
- Improved design provides structural reinforcement to prevent crushing when heavy objects are placed on top
- Upgraded level offers easy verification of horizontal and vertical orientations
- Vertically-oriented handle grants improved ergonomics and reduces stress on wrist



WE WILL USE THIS TEMPLATE ONLY

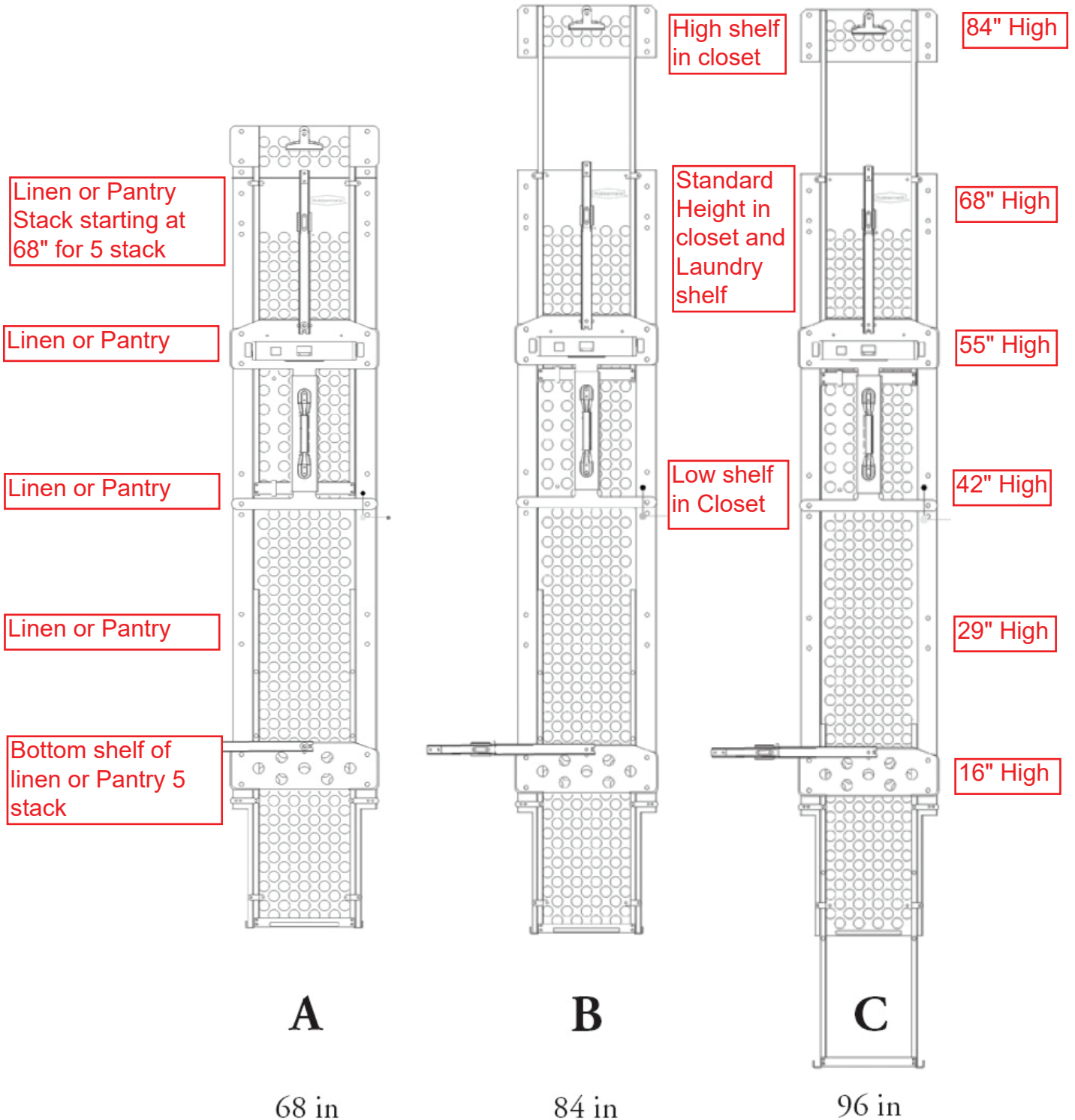


Building Products

08.22.05
Issue #27

Availability

Product is available and shipping from both Jackson, MO, and TriWays. Builder discounts do apply off of list price. Please contact your respective customer service representative to place orders. Please note that Rubbermaid will not replace old templates free of charge.





Rubbermaid®

RUBBERMAID LIMITED LIFETIME WARRANTY

Rubbermaid manufactures durable, high quality merchandise. We warrant that when professionally installed, our wire, melamine and garage storage systems, including installation hardware, are free of defects in materials or workmanship for the life of the product.

Rubbermaid will replace any defective product or installation hardware at no charge. Rubbermaid is not responsible for any labor charges associated with uninstalling or reinstalling the shelving or hardware.

This warranty is valid only if the product has been assembled and maintained per the instructions or standard industry practices. This warranty does not cover abuse, accident, cosmetic issues such as fading or scratches from normal wear, or any other cause not arising from defects in material and workmanship. Also, consequential and incidental damages are not recoverable under this warranty.

This warranty gives you specific legal rights, and you may also have other rights, which vary from state to state. Some states do not allow the exclusion or limitation of incidental or consequential damages, so the above limitation or exclusion may not apply to you.

Consumer Toll Free Help Line: 1-877-533-1197
Worldwide Internet On-Line Service: www.rubbermaid.com

Item # FG3J1000

Precision Frameworks: 529 Series

PLEASE NOTE :
A Mirror Sign Off Sheet Will Be per Approved Cabinet Shop Drawings and Must Be Approved by GC Prior to Material Being Ordered
*** ONLY FOR FRAMED MIRRORS ***

Materials

Series

529

Finish

B- Bronze, BLK- Black, CM- Chrome, MH- Mahogany, N- Nickel, W- White, WD- Wood

Dimensions

2" W x 3/4" H

Contour

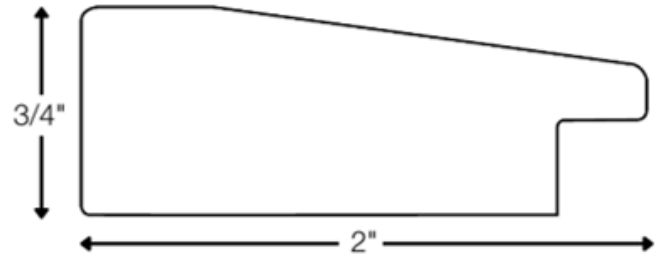
Inward Bevel

Frame Construction

MDF substrate with laminated wrap

Glass Mirror

Meets or exceeds ASTM C1036-01 and C1503-01
Thickness determined by manufacturer's guidelines



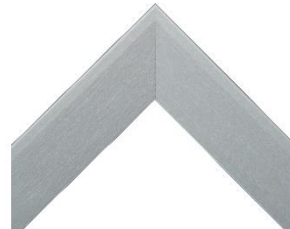
529B



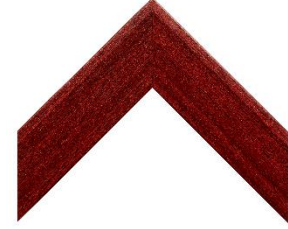
529BLK



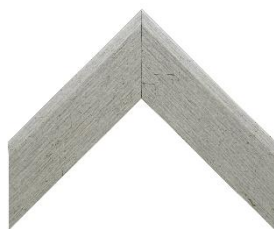
529CM



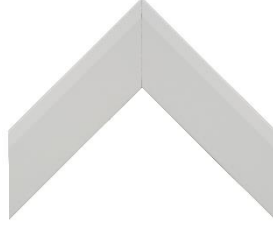
529MH



529SN



529W



529WD



Precision Frameworks: 529 Series

Framed Mirror Assembly

Assembled with specialty non-drip, fast drying wood glue (3000 psi tensile strength) applied between mitered corners. Corners joined with stainless steel v-nails inserted into back of frame moulding and reinforced with 2 ¾" x 2 ¾" .06 Black ABS Hair cell finish 1 side reinforcing squares and attached with heavy duty staples.

Frame Reinforcement

Framed mirrors over 54" wide are reinforced vertically with ¾" 20ga galvanized steel strapping attached with back of frame with wood screws.

Glazing Method

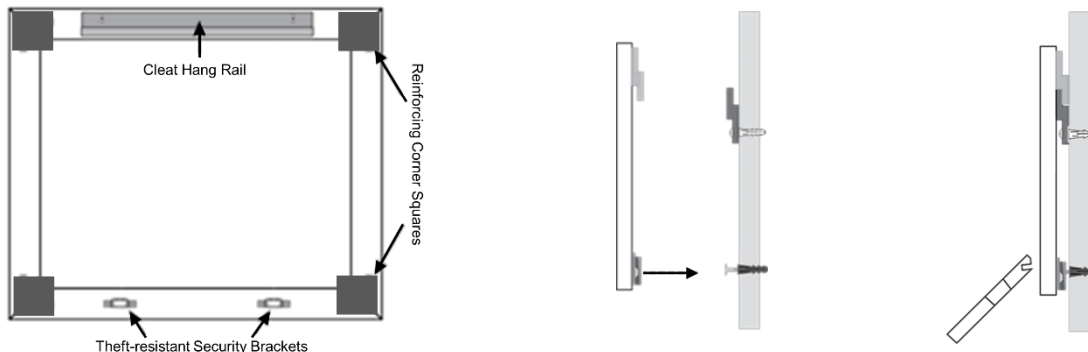
Glass mirror secured to assembled frame with metal framepoint anchors driven flush to back of mirror. A bead of hot melt glue (300°F softening point) is applied to restrict movement and bond mirror to frame.

Manufacturer's Mirror Thickness Guidelines

- 1/8"- mirrors under 13 square feet
- 3/16"- mirrors greater than or equal to 13 square feet
- 3/16" with Category II safety backing- for mirrors with any dimension greater than 84"

Installation Method

Use Cleat Hang Rail system and secure to wall with Theft-resistant Security Brackets.



Warranty

Precision Frameworks, LLC. warrants that our products are free from manufacturer's defects in materials or workmanship during normal use for a period of one (1) year from the purchase date. The warranty applies only to the original purchaser of the product from Precision Frameworks, LLC.

If a product is determined to be defective, we will replace or repair the product at no charge.

Improper installation, use of harsh or abrasive cleaning products or excessive moisture contacting the product voids the warranty or any claim. Precision Frameworks, LLC reserves the right to inspect any claim prior to replacing or repairing the product.

The scope of the warranty is limited to replacing or repairing the product and does not include associated labor charges to install, repair, deliver or to remove the existing product.



Division #11



Division 11.450

Appliances

Building the Future, Together.

 Electrolux | FRIGIDAIRE

ARGENT PARKWAY APPLIANCE SPECS

Date: 12.5.25



LOWER FLOOR
SCALE

Building the
Future, Together.



STANDARD UNITS



25.6 Cu. Ft. 36" Standard Depth Side by Side Refrigerator

Side-By-Side Refrigerator

Available Products: FRSS2623AB, FRSS2623AD, FRSS2623AS, FRSS2623AW

Available Colors: Black, Black Stainless Steel, Stainless Steel, White

Version: 08/22

Product Specifications

Refrigerator

Crisper Color	Clear
Dairy Bin	Yes
Door Bin Color	Clear
Interior Lighting	LED
Shelf Material	Glass
Water Filter	Yes
Number of Adjustable 2 Liter Door Bins	2
Number of Adjustable Gallon Door Bins	2
Total Number of Door Bins	4
Number of Adjustable Shelves	3
Number of Crispers	2
Air Filtration	Yes
Air Filter Included	No

Ice Maker

Ice Maker	Yes
-----------	-----

Dispenser

Dispenser Height	8 1/8"
Crushed Ice	Yes
Cube Ice	Yes
Dispenser	Yes
Water	Yes

Dimensions and Volume

Height With Hinge	69 7/8"
Height Without Hinge	68 5/8"
Width	36 1/8"
Width of Cabinet	35 7/8"
Depth of Cabinet	28 3/4"
Depth With Door	32 1/2"
Depth With Door 90° Open	50"
Depth With Door and Handle	35"
Fresh Food Capacity	16.6 Cu. Ft.
Freezer Capacity	9 Cu. Ft.
Total Capacity	25.6 Cu. Ft.

Freezer

Automatic Defrost	Yes
Baskets / Bins Color	Clear
Door Bin Color	Clear
Interior Lighting	LED
Shelf Material	Wire
Number of Adjustable Door Bins	4
Number of Baskets / Bins	1
Total Number of Door Bins	4
Number of Fixed Shelves	2
Total Number of Shelves	2

Controls

Air Filter Indicator	Yes
Digital Display	No
Door Ajar Alarm	Yes
Control Lock	No
Ice Maker On/Off	Yes
Power Failure Alarm	Yes
Power On/Off	No
Sabbath Mode	No
Vacation Mode	No
Water Filter Indicator	Yes

Exterior

Front Rollers	Yes
Rear Rollers	No
Water Inlet Location	Right Bottom Rear

Electrical Specifications

Minimum Circuit Required	15 Amps
--------------------------	---------

Performance Certifications and Approvals

ENERGY STAR Certified	Yes
-----------------------	-----

25.6 Cu. Ft. 36" Standard Depth Side by Side Refrigerator

Side-By-Side Refrigerator

Available Products: FRSS2623AB, FRSS2623AD,

Available Colors: Black, Black Stainless Steel, Stainless Steel,

FRSS2623AS, FRSS2623AW

White

Version: 08/22

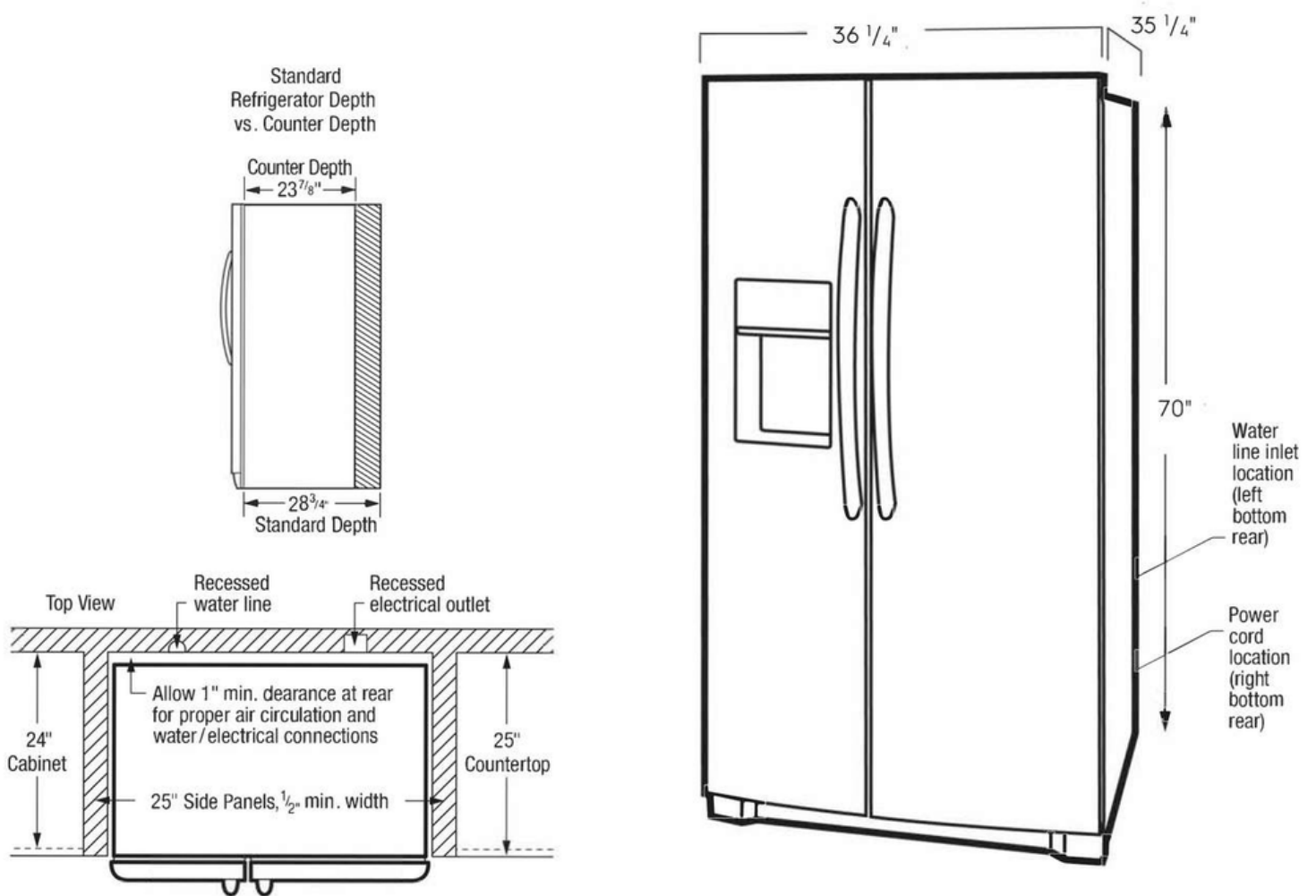
General Specifications

Annual Energy	647 kWh
Leveling Legs	Yes
Prop 65 Label	Yes
Refrigerant Type	R-600A
Warranty - Labor	1 Year
Warranty - Parts	1 Year

Safety Certifications and Approvals

CSA Listed	No
UL Listed	Yes
cUL Listed	Yes
NSF Certified	Yes

Installation Diagram





30" Freestanding Electric Range

Electric Range

Available Products: FCRE3062AB, FCRE3062AS, FCRE3062AW

Available Colors: Black, Stainless Steel, White

Product Specifications

Cooking Controls

Bake	Yes
Broil	Yes
Cook Time	Yes
Delay Clean	Yes
Delay Start	Yes
Door Lock	Yes
Keep Warm	Yes
Kitchen Timer	Yes
Off	Yes
Oven Light	Yes
Set Clock	Yes
Start	Yes
Steam Clean	Yes
Temperature Display	Yes
Timer On / Off	Yes
Up / Down Arrow	Yes
User Preferences	Yes
Warm Zone	Yes

Oven

Bake Element	2500 Watts
Bake Element Pass	8
Bake Element Type	Hidden
Broil Element	3000 Watts
Broil Element Pass	4
Number of Rack Positions	6
Oven Interior Color	Midnight Black
Oven Light Quantity	1
Oven Light Type	Halogen
Oven Light Watts	40 Watts
Rack Position Type	Embossed
Rack Type 1	Flat
Rack Type 1 Quantity	2

Cooking Controls Function

Change between Continuous Bake Setting or 12-Hour Energy Saving Feature	Yes
Delayed Bake	Yes
Program Fahrenheit or Celsius	Yes
Silent Control Panel	Yes

Cooktop

Cooking Surface Type	Smooth
Element On Indicator Light	Yes
Hot-Surface Indicator Light	Yes
Keep Warm Zone Light	Yes

Drawer

Drawer Handle Style	Integrated
Drawer Type	Storage

Display

Control Location	Rear
Display Interface Color	White
Display Type	Membrane

Electrical Specifications

Connected Load @ 240V	12 kW
Minimum Circuit Required	40 Amps
Voltage Rating	240 V

General Specifications

Frigidaire Fit Promise	Yes
Prop 65 Label	Yes
Warranty - Labor	1 Year
Warranty - Parts	1 Year

Available Products: FCRE3062AB, FCRE3062AS,

Available Colors: Black, Stainless Steel, White

FCRE3062AW

Version: 08/23

Cooktop Performance

Right Front Element Burner Size	9"
Right Rear Element Burner Size	6"
Left Front Element Burner Size (Small)	6"
Left Front Element Burner Size (Large)	9"
Left Rear Element Burner Size	6"
Right Front Element Burner	3200 Watts
Right Rear Element Burner	1200 Watts
Left Front Element Burner (Small)	1400 Watts
Left Front Element Burner (Large)	3000 Watts
Left Rear Element Burner	1200 Watts
Center Rear Element Burner	100 Watts
Keep Warm Burner Location	Center Rear

Controls

Control Lock	Yes
--------------	-----

Dimensions and Volume

Minimum Height	46 3/4"
Maximum Height	47 3/4"
Width	29 7/8"
Depth	26"
Depth With Door 90° Open	47 5/16"
Depth With Handle	28 1/2"
Oven Interior Height	18 1/8"
Oven Interior Width	25 3/16"
Oven Interior Depth	19 7/8"
Oven Capacity	5.3 Cu. Ft.

Installation

Adjustable Leveling Legs	Yes
--------------------------	-----

Safety Certifications and Approvals

UL Listed	Yes
RoHS	Yes

Installation Diagram

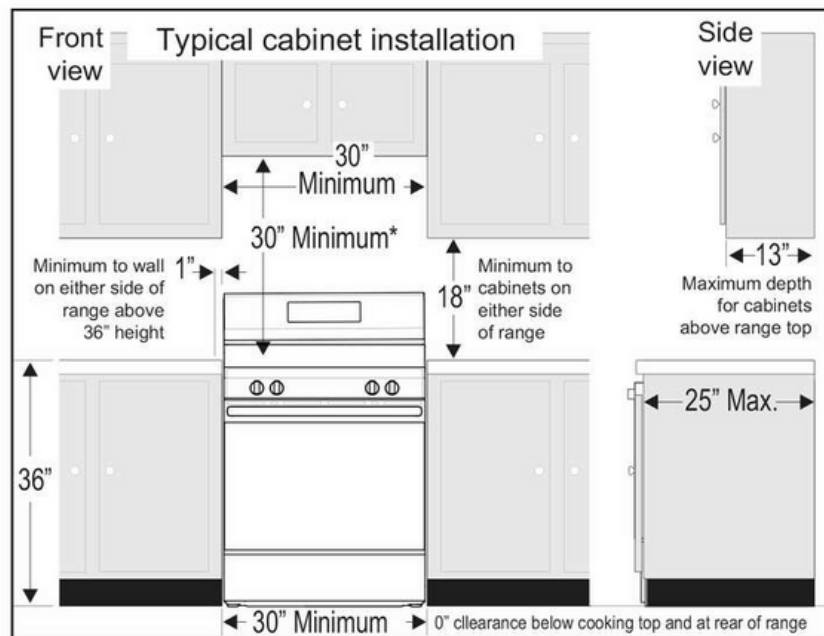


Fig. 1

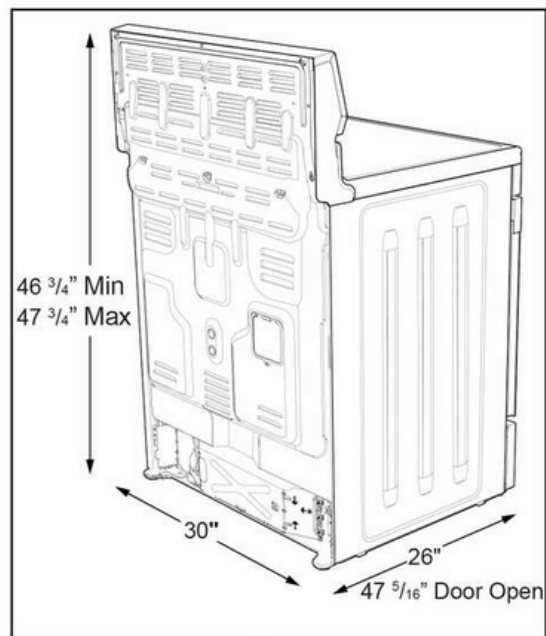
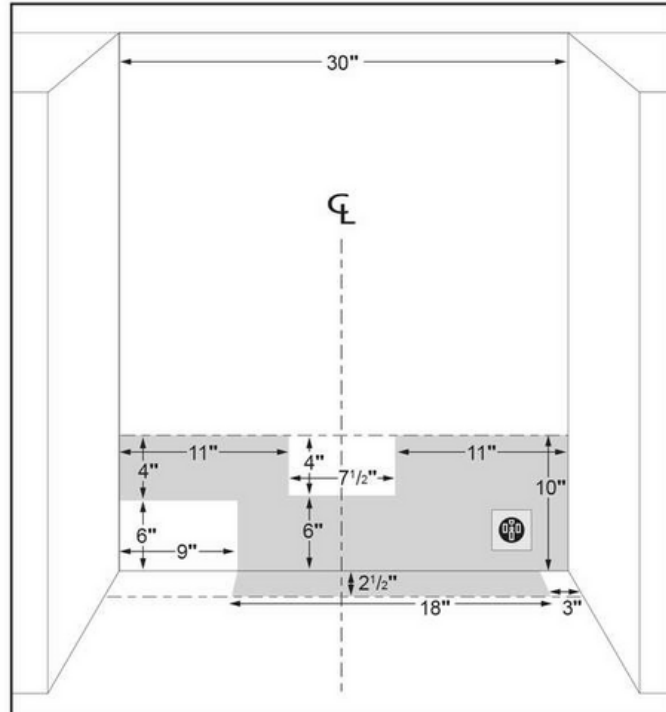


Fig. 2

*30" (762 mm) MINIMUM CLEARANCE BETWEEN THE TOP OF THE COOKING SURFACE AND THE BOTTOM OF AN UNPROTECTED WOOD OR METAL CABINET; OR 24" (610 mm) MINIMUM WHEN BOTTOM OF WOOD OR METAL CABINET IS PROTECTED BY NOT LESS THAN 1/4" (6 mm) FLAME RETARDANT MILLBOARD COVERED WITH NOT LESS THAN NO. 28 MSG SHEET STEEL, 0.015" (0.4 mm) STAINLESS STEEL, 0.024" (0.6 mm) ALUMINUM OR 0.020" (0.5 mm) COPPER. 0" (0 mm) CLEARANCE IS THE MINIMUM FOR THE REAR OF THE RANGE. FOLLOW ALL DIMENSION REQUIREMENTS PROVIDED ABOVE TO PREVENT PROPERTY DAMAGE, POTENTIAL FIRE HAZARD, AND INCORRECT COUNTERTOP AND CABINET CUTS.

TO ELIMINATE THE RISK OF BURNS OR FIRE BY REACHING OVER HEATED SURFACE UNITS, CABINET STORAGE SPACE LOCATED ABOVE THE SURFACE UNITS SHOULD BE AVOIDED. IF CABINET STORAGE IS TO BE PROVIDED, THE RISK CAN BE REDUCED BY INSTALLING A RANGE HOOD THAT PROJECTS HORIZONTALLY A MINIMUM OF 5" (127 mm) BEYOND THE BOTTOM OF THE CABINETS.





24" Built-In Dishwasher

Dishwasher

Available Products: FFCD2413UB, FFCD2413US, FFCD2413UW

Available Colors: Black, Stainless Steel, White

Product Specifications

Dishwasher

Detergent Dispenser	Yes
Filter Material	Stainless Steel
Filter Trap	Removable
Filtered Water	100 %
Hard Food Disposer or Filtration	Yes
Place Setting Capacity	14
Rinse Aid Dispenser	Yes
Tub Design	Tall Tub
Tub Material	Plastic
Wash Levels	5
Wash System	Direct Feed
Water Pressure	120 psi
Water Usage	6 Gallons

Dishwasher Options

Drying System	Static Vent
Heated Dry	Yes
High Temperature	Yes
Start/Cancel	Yes

Upper Rack

Minimum Height Clearance	8"
--------------------------	----

Exterior

Door Latch	Squeeze
------------	---------

Electrical Specifications

Voltage Rating	120 V
----------------	-------

General Specifications

Annual Energy	270 kWh
Prop 65 Label	Yes
Sound Level	55 dBA
Warranty - Labor	1 Year
Warranty - Parts	1 Year

Safety Certifications and Approvals

UL Listed	Yes
Meets ASSE 1006 Requirements	Yes
NSF Certified	No

Dishwasher Cycles

Heavy	Yes
Light	Yes
Normal	Yes
Number of Cycles	3
Upper Rack	Yes

Lower Rack

Minimum Height Clearance	11"
Maximum Height Clearance	13"
Number of Silverware Basket	1
Rack Coating	PVC
Rack Type	Basic

Controls

Delay Start Hours	4
Control Lock	Yes

Dimensions and Volume

Width	23 7/8"
Depth	25"
Depth With Door Open	49 1/4"
Minimum Height	33 1/2"
Maximum Height	35"

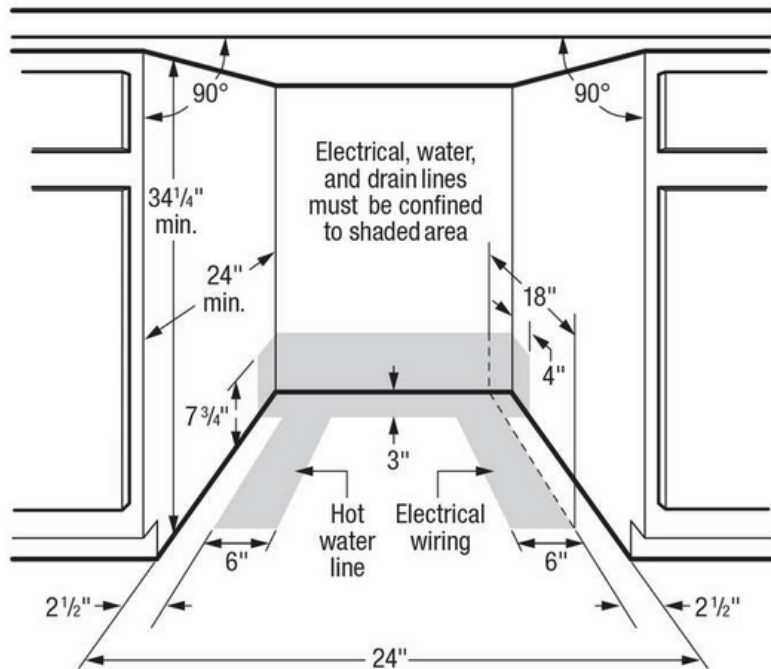
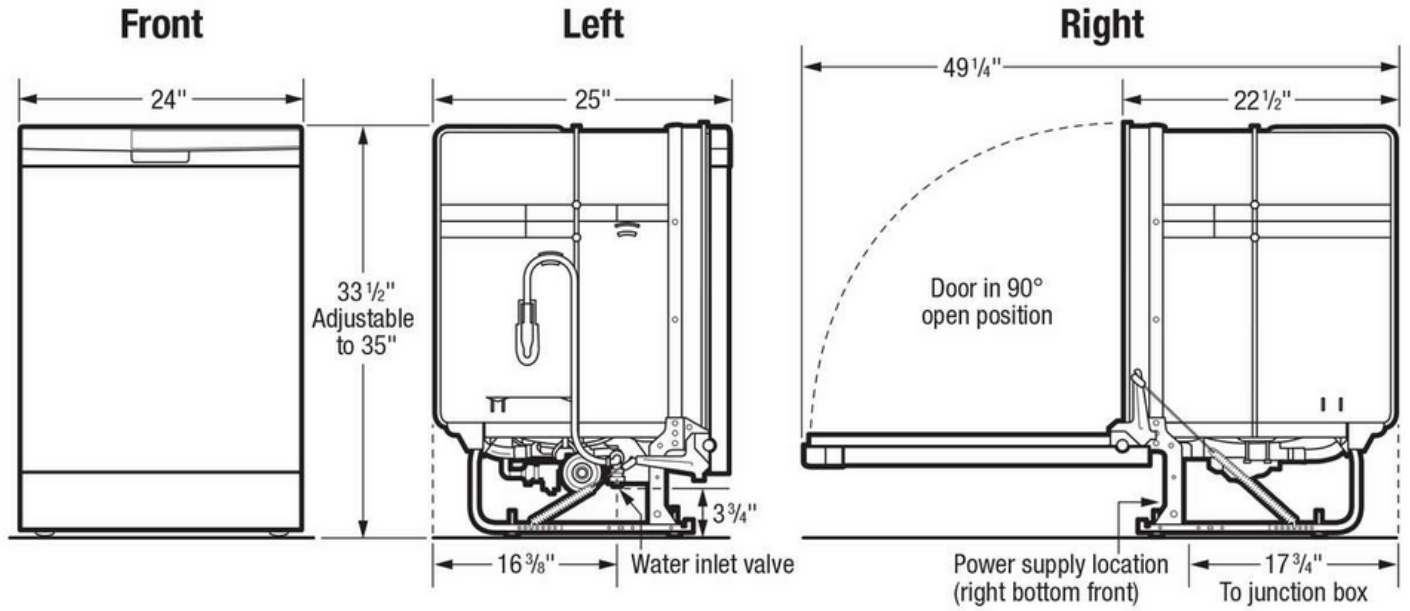
Installation

Number of Leveling Legs	4
-------------------------	---

Performance Certifications and Approvals

CEE Tier	Tier 1
ENERGY STAR Certified	Yes

Installation Diagram



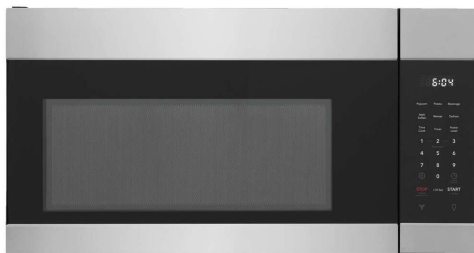
1.7 Cu. Ft. Over-The-Range Microwave

Over-The-Range Microwave

Available Products: FMOS1746BS, FMOS1746BB, FMOS1746BW

Available Colors: Stainless Steel

Version: 09/24



Product Specifications

Cooking Controls

Clock	Yes
Cooking Power	1000 Watts
Defrost Time	Yes
Defrost Weight	Yes
Number of Power Levels	10

Ventilation System

Exhaust Fan Speeds	2
Maximum Air Flow Capacity	300 CFM
Minimum Air Flow Capacity	105 CFM
Maximum Sones Rating	7 sone
Minimum Sones Rating	2.5 sone
Grease Filter Included	Yes
Grease Filter Quantity	2
Grease Filter Dishwasher Safe	Yes
Removable Grease Filter	Yes
Charcoal Filter Included	Yes
Ducted Vent	Yes
Ductless Vent	Yes

Microwave Control Features

+ 10 Seconds	Yes
+ 30 Seconds	Yes
Quick Start	Yes

Display

Control Location	Right
Display Interface Color	White
Display Type	Membrane

Internal Specifications

Interior Color	White
Interior Light Quantity	1
Interior Light Type	Incandescent
Interior Light Wattage	20 Watts
Turntable Diameter	12 2/5"
Turntable Material	Glass

Microwave Cooking

Beverage	Yes
Melt / Soften	Yes
Popcorn	Yes
Potato	Yes
Reheat	Yes

Controls

Control Lock	Yes
--------------	-----

Additional Settings

Child Lock	Yes
Clock Display On / Off	Yes
Clock Settings	Yes
Demo On / Off	Yes
Setting Weight Lb / Kg	Yes
Surface Cooking Light	Yes
Timer On / Off	Yes
Vent Fan	Yes

Exterior

Door Swing	Side-Swing Door
------------	-----------------

Surface Light System

Lighting Type	Incandescent
---------------	--------------

Electrical Specifications

Amps @ 120 Volts	13.5 Amps
Connected Load @ 120V	1.55 kW
Voltage Rating	120 V
Watts @ 120 Volts	1500 Watts

General Specifications

Prop 65 Label	Yes
Warranty - Labor	1 Year
Warranty - Parts	1 Year

1.7 Cu. Ft. Over-The-Range Microwave

Over-The-Range Microwave

Available Products: FMOS1746BS, FMOS1746BB,

Available Colors: Stainless Steel

FMOS1746BW

Version: 09/24

Dimensions and Volume

Height	16 7/16"
Width	29 7/8"
Depth	15 7/16"
Depth With Door 90° Open	38 13/16"
Microwave Interior Height	9 7/8"
Microwave Interior Width	20 7/8"
Microwave Interior Depth	14 9/16"
Microwave Capacity	1.7 Cu. Ft.

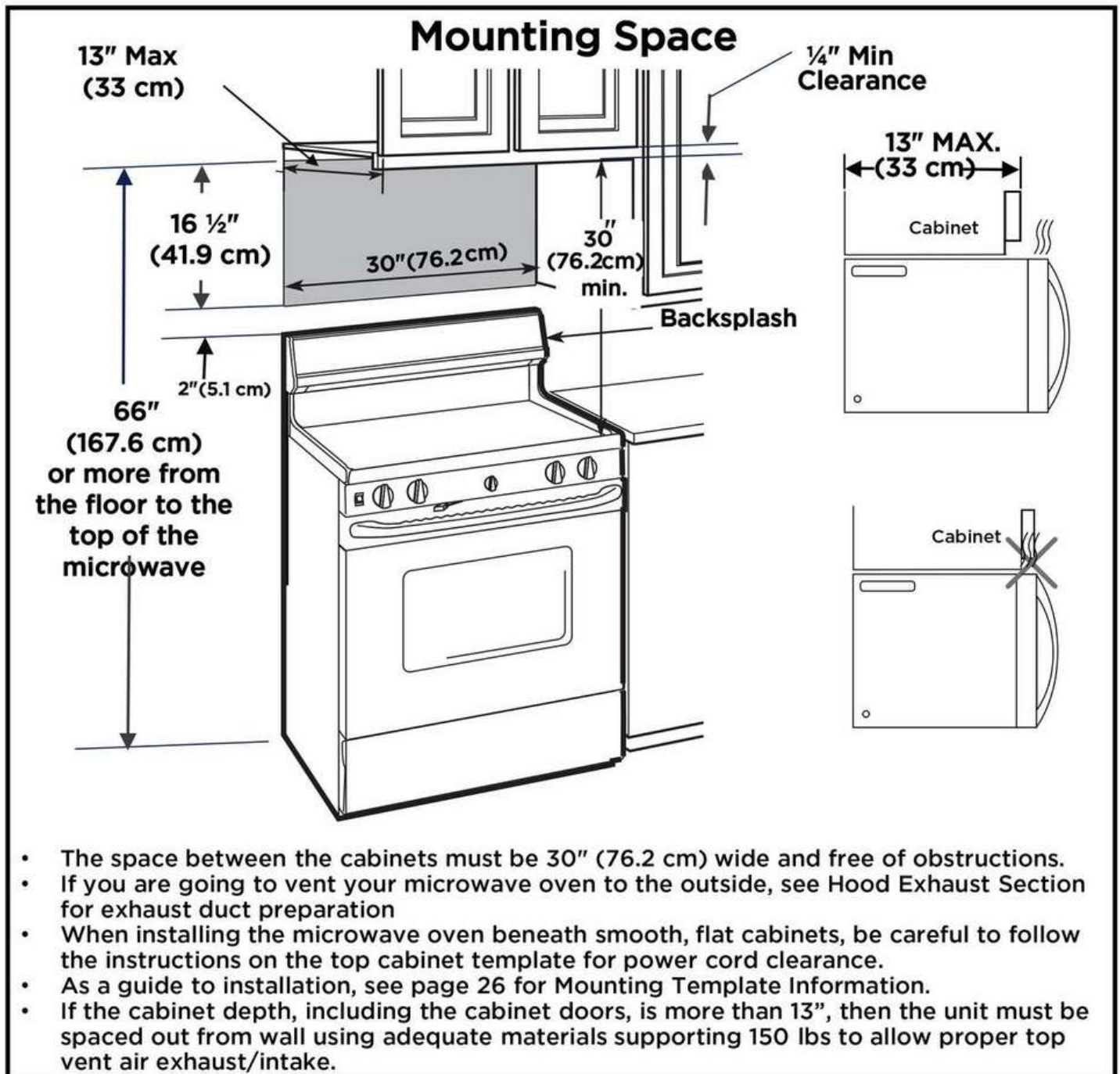
Installation

Power Supply Connection Location	Right Top
----------------------------------	-----------

Safety Certifications and Approvals

UL Listed	Yes
-----------	-----

Installation Diagram



Building the
Future, Together.



HC UNIT

FRIGIDAIRE

GALLERY



25.6 Cu. Ft. 36" Standard Depth Side by Side Refrigerator

Side-By-Side Refrigerator

Available Products: GRSS2652AD, GRSS2652AF

Available Colors: Black Stainless Steel, Stainless Steel

Version: 08/22

Product Specifications

Refrigerator

Crisper Color	Clear
Dairy Bin	Yes
Deli Drawer	Yes
Door Bin Color	Clear
Humidity Controls	Manual
Interior Lighting	LED
Shelf Material	Glass
Water Filter	Yes
Number of Adjustable 2 Liter Door Bins	2
Number of Adjustable Gallon Door Bins	2
Total Number of Door Bins	4
Number of Adjustable Shelves	3
Number of Crispers	2
Air Filtration	Yes
Air Filter Included	Yes

Ice Maker

Ice Maker	Yes
-----------	-----

Dispenser

Dispenser Height	8 9/10"
Crushed Ice	Yes
Cube Ice	Yes
Dispenser	Yes
Water	Yes

Dimensions and Volume

Height With Hinge	69 7/8"
Height Without Hinge	68 5/8"
Width	36 1/8"
Width of Cabinet	35 7/8"
Depth of Cabinet	28 3/4"
Depth With Door	33 3/8"
Depth With Door 90° Open	50"
Depth With Door and Handle	35 7/8"
Fresh Food Capacity	16.6 Cu. Ft.
Freezer Capacity	9 Cu. Ft.
Total Capacity	25.6 Cu. Ft.

Freezer

Automatic Defrost	Yes
Baskets / Bins Color	Clear
Door Bin Color	Clear
Interior Lighting	LED
Pizza / Ice Cream Shelf	Yes
Shelf Material	Glass
Number of Adjustable Door Bins	4
Number of Baskets / Bins	2
Total Number of Door Bins	4
Number of Fixed Shelves	3
Total Number of Shelves	3

Controls

Air Filter Indicator	Yes
Digital Display	No
Door Ajar Alarm	Yes
Control Lock	Yes
Ice Maker On/Off	Yes
On/Off Display	Yes
Power Failure Alarm	Yes
Sabbath Mode	Yes
Water Filter Indicator	Yes

Exterior

Front Rollers	Yes
Rear Rollers	No
Water Inlet Location	Right Bottom Rear

Electrical Specifications

Minimum Circuit Required	15 Amps
--------------------------	---------

Certifications and Approvals

ADA Compliant*	Yes
*ADA Compliant Disclaimer	
Accessibility pursuant to Uniform Federal Accessibility Standards (UFAS) when used with optional water filter bypass.	

Safety Certifications and Approvals

cUL Listed	Yes
------------	-----

For planning purposes only. We reserve the right to change specifications or discontinue models without notice. Refer to Product Installation Guide for detailed installation instructions on the web at frigidaire.com / frigidaire.ca

Electrolux Major Appliances, N.A.

USA • 10200 David Taylor Drive • Charlotte, NC 28262 • Charlotte, NC 28262 • 1-877-4electrolux (1-877-435-3287) • frigidaire.com

CANADA • 5855 Terry Fox Way • Mississauga, ON L5V 3E4 • 1-800-265-8352 • frigidaire.ca

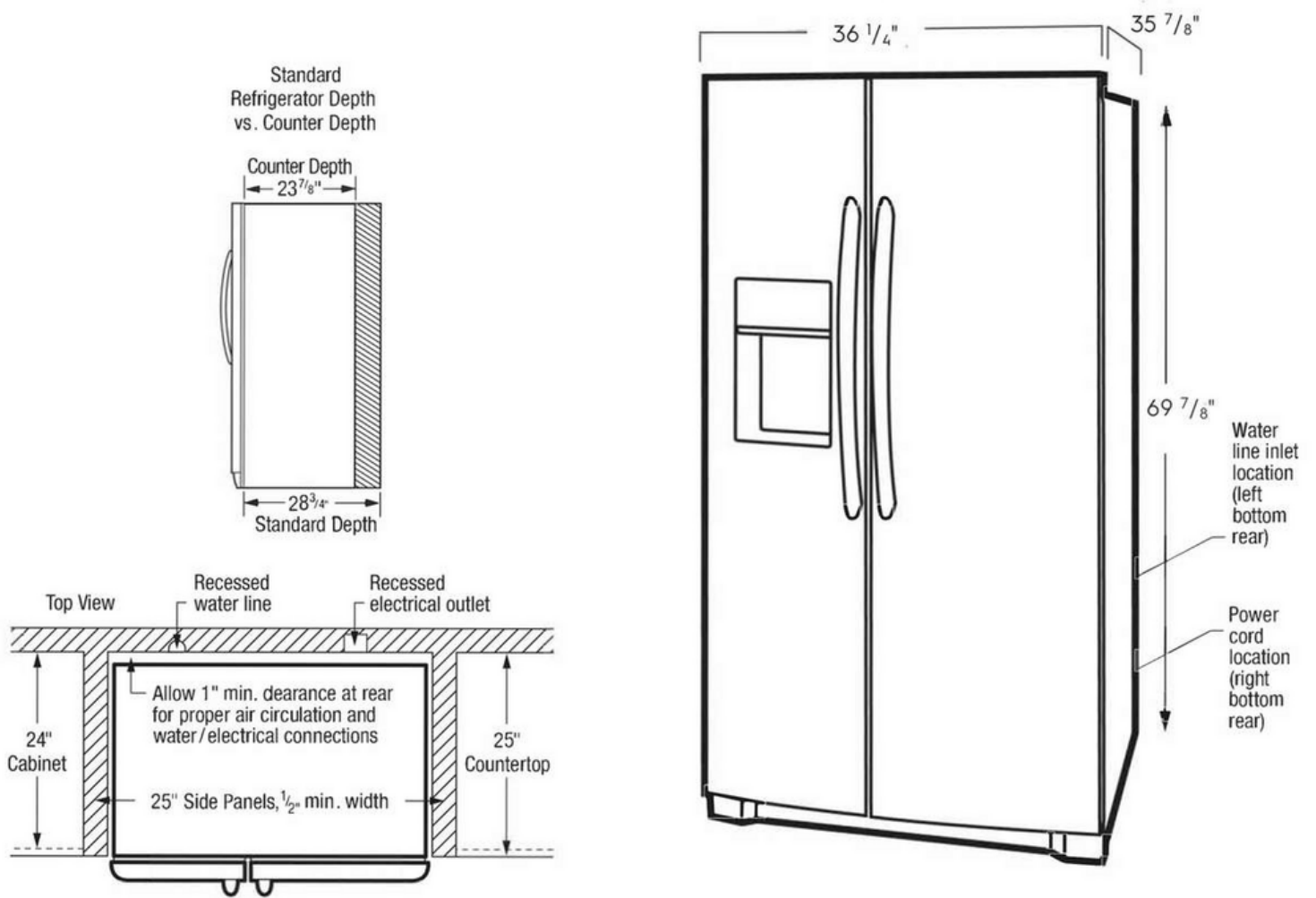
General Specifications

Annual Energy	647 kWh
Leveling Legs	Yes
Prop 65 Label	Yes
Refrigerant Type	R-600A
Warranty - Labor	1 Year
Warranty - Parts	1 Year

Performance Certifications and Approvals

ENERGY STAR Certified	Yes
-----------------------	-----

Installation Diagram





30" Front Control Electric Range

Electric Range

Available Products: FCFE3062AB, FCFE3062AS, FCFE3062AW

Available Colors: Black, Stainless Steel, White

Version: 04/24

Product Specifications

Cooking Controls

Bake	Yes
Broil	Yes
Cancel	Yes
Clear Off	Yes
Clock	Yes
Cook Time	Yes
Delay Start	Yes
Keep Warm	Yes
Kitchen Timer	Yes
Lockout	Yes
On / Off (for each element)	Yes
Oven Light	Yes
Preheat	Yes
Probe	No
Steam Clean	Yes
Temperature Display	Yes
Timed Bake	Yes
Timer On / Off	Yes
Warm Zone	Yes

Oven

Bake Element	2500 Watts
Bake Element Pass	8
Bake Element Type	Hidden
Bake System	Yes
Broil Element	3000 Watts
Broil Element Pass	4
Broil System	Yes
Cleaning System	Yes
Number of Rack Positions	6
Oven Interior Color	Midnight Black
Oven Light Quantity	1
Oven Light Type	Halogen
Oven Light Watts	40 Watts
Rack Position Type	Embossed
Rack Type 1	Flat
Rack Type 1 Quantity	2

Cooking Controls Function

Delayed Bake	Yes
Program Fahrenheit or Celsius	Yes
Silent Control Panel	Yes

Cooktop

Cooking Surface Type	Smooth
Element On Indicator Light	Yes
Hot-Surface Indicator Light	Yes

Drawer

Drawer Handle Style	Integrated
Drawer Type	Storage

Display

Control Location	Front
Display Interface Color	White
Display Type	Capacitive Touch

Electrical Specifications

Connected Load @ 240V	12 kW
Minimum Circuit Required	40 Amps
Voltage Rating	240 V

Certifications and Approvals

ADA Compliant	Yes
---------------	-----

Safety Certifications and Approvals

cUL Listed	Yes
UL Listed	Yes

Available Products: FCFE3062AB, FCFE3062AS,

Available Colors: Black, Stainless Steel, White

FCFE3062AW

Version: 04/24

Cooktop Performance

Right Front Element Burner Size	9"
Right Rear Element Burner Size	6"
Left Front Element Burner Size (Small)	6"
Left Front Element Burner Size (Large)	9"
Left Rear Element Burner Size	6"
Right Front Element Burner	3200 Watts
Right Rear Element Burner	1200 Watts
Left Front Element Burner (Small)	1400 Watts
Left Front Element Burner (Large)	3000 Watts
Left Rear Element Burner	1200 Watts
Center Rear Element Burner	100 Watts

Controls

Control Lock	No
Sabbath Mode	No

Dimensions and Volume

Minimum Height	35 3/8"
Maximum Height	36 3/8"
Width	30"
Depth	26"
Depth With Door 90° Open	47 5/16"
Depth With Handle	28 1/2"
Oven Interior Height	18 1/8"
Oven Interior Width	25 3/16"
Oven Interior Depth	19 7/8"
Oven Capacity	5.3 Cu. Ft.

General Specifications

Frigidaire Fit Promise	Yes
Prop 65 Label	Yes
Warranty - Labor	1 Year
Warranty - Parts	1 Year
AB-1200	Information available at frigidaire.com/en/ab1200

Performance Certifications and Approvals

ENERGY STAR Certified	Yes
-----------------------	-----

Installation Diagram

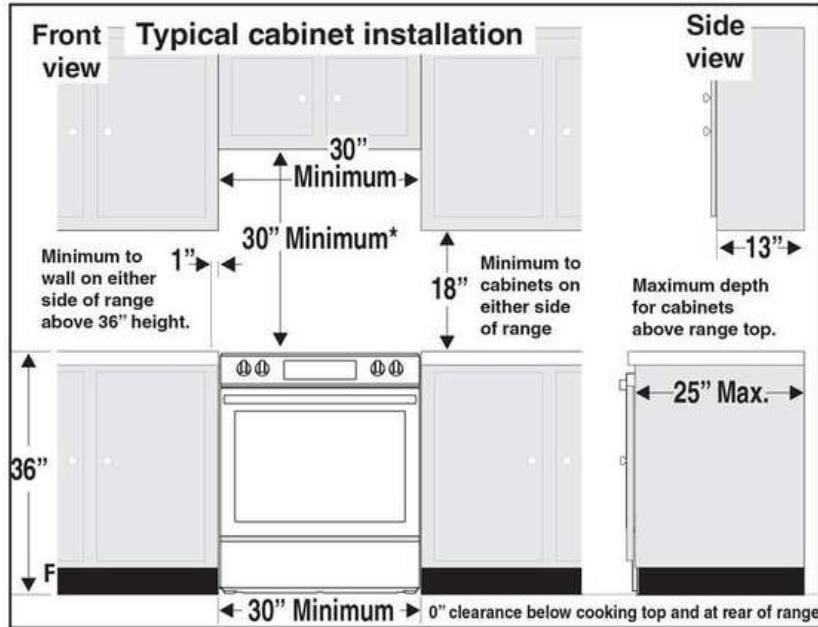


Fig. 1

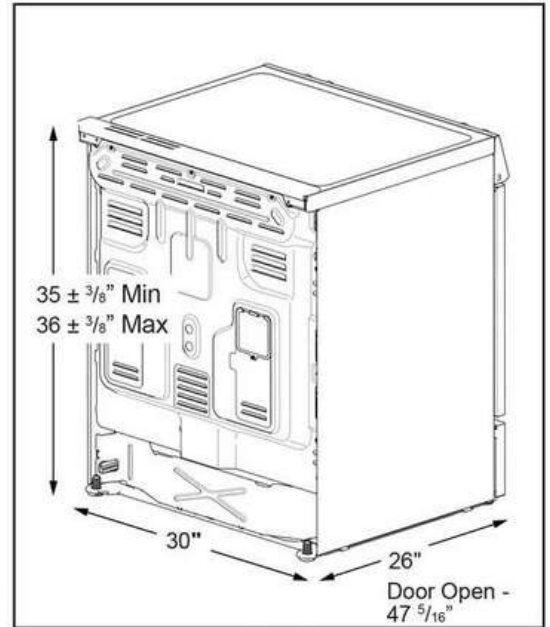


Fig. 2

*30" (762 mm) MINIMUM CLEARANCE BETWEEN THE TOP OF THE COOKING SURFACE AND THE BOTTOM OF AN UNPROTECTED WOOD OR METAL CABINET; OR 24" (610 mm) MINIMUM WHEN BOTTOM OF WOOD OR METAL CABINET IS PROTECTED BY NOT LESS THAN 1/4" (6 mm) FLAME RETARDANT MILLBOARD COVERED WITH NOT LESS THAN NO. 28 MSG SHEET STEEL, 0.015" (0.4 mm) STAINLESS STEEL, 0.024" (0.6 mm) ALUMINUM OR 0.020" (0.5 mm) COPPER. 0" (0 mm) CLEARANCE IS THE MINIMUM FOR THE REAR OF THE RANGE. FOLLOW ALL DIMENSION REQUIREMENTS PROVIDED ABOVE TO PREVENT PROPERTY DAMAGE, POTENTIAL FIRE HAZARD, AND INCORRECT COUNTERTOP AND CABINET CUTS.

TO ELIMINATE THE RISK OF BURNS OR FIRE BY REACHING OVER HEATED SURFACE UNITS, CABINET STORAGE SPACE LOCATED ABOVE THE SURFACE UNITS SHOULD BE AVOIDED. IF CABINET STORAGE IS TO BE PROVIDED, THE RISK CAN BE REDUCED BY INSTALLING A RANGE HOOD THAT PROJECTS HORIZONTALLY A MINIMUM OF 5" (127 mm) BEYOND THE BOTTOM OF THE CABINETS.

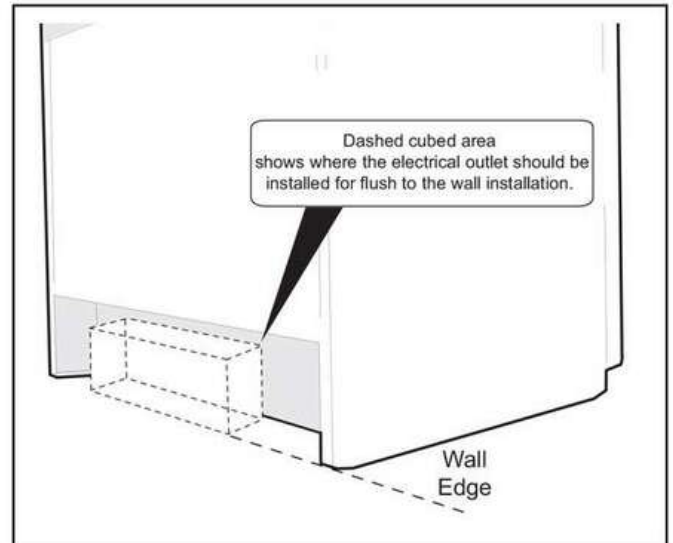


Fig. 3



24" Built-In Dishwasher

Dishwasher

Available Products: FFBD2420UB, FFBD2420US, FFBD2420UW

Available Colors: Black, Stainless Steel, White

Version: 07/23

Product Specifications

Dishwasher

Automatic Temperature Control	Yes
Detergent Dispenser	Yes
Filter Material	Stainless Steel
Filter Trap	Removable
Filtered Water	100 %
Hard Food Disposer or Filtration	Yes
Motor Speeds	Single-Speed
Place Setting Capacity	12
Rinse Aid Dispenser	Yes
Smart Soil Sensor	Yes
Lower Spray Arm	Bi-Beam
Middle Spray Arm	Bi-Beam
Upper Spray Arm	Spray Arm
Tub Design	Tall Tub
Tub Material	Stainless Steel
Wash Levels	5
Wash System	Direct Feed
Water Pressure	120 psi
Water Usage	8.5 Gallons

Dishwasher Options

Drying System	Heated Dry
Heated Dry	Yes
High Temperature	Yes
Start/Cancel	Yes

Upper Rack

Cup Shelf	Yes
Fold-Down	Yes

Exterior

Door and Handle Design	Pocket
Door Latch	Pull

Electrical Specifications

Voltage Rating	120 V
----------------	-------

General Specifications

Sound Level	52 dBA
Annual Energy	240 kWh
Warranty - Labor	1 Year
Warranty - Parts	1 Year

Dishwasher Cycles

China Crystal	Yes
Energy Saver	Yes
Favorite	No
Heavy	Yes
Light	No
Normal	Yes
Number of Cycles	6
Quick	Yes
Rinse Only	Yes
Upper Rack	Yes

Lower Rack

Number of Silverware Basket	3
Rack Type	Deluxe

Controls

Delay Start Hours	1-24 Hours
-------------------	------------

Dimensions and Volume

Minimum Height	32 4/10"
Maximum Height	35 1/4"
Width	24"
Depth	24"
Depth With Door Open	44 1/2"

Installation

Connection Location	Right Bottom
Number of Leveling Legs	4

Certifications and Approvals

ADA Compliant	Yes
---------------	-----

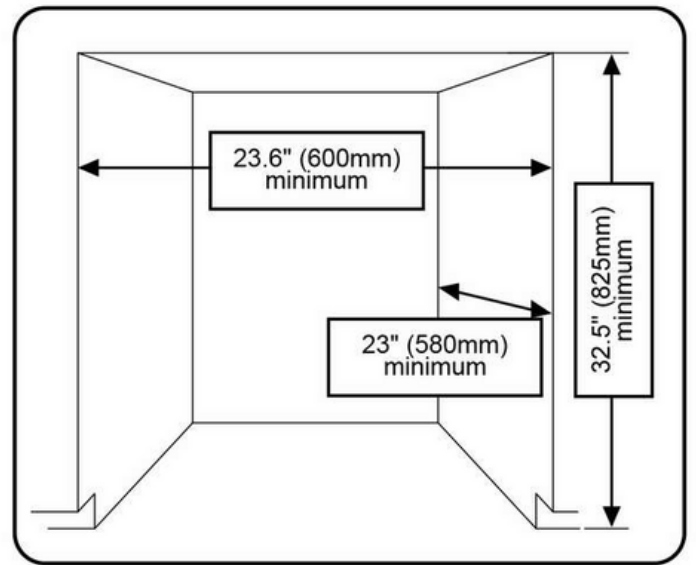
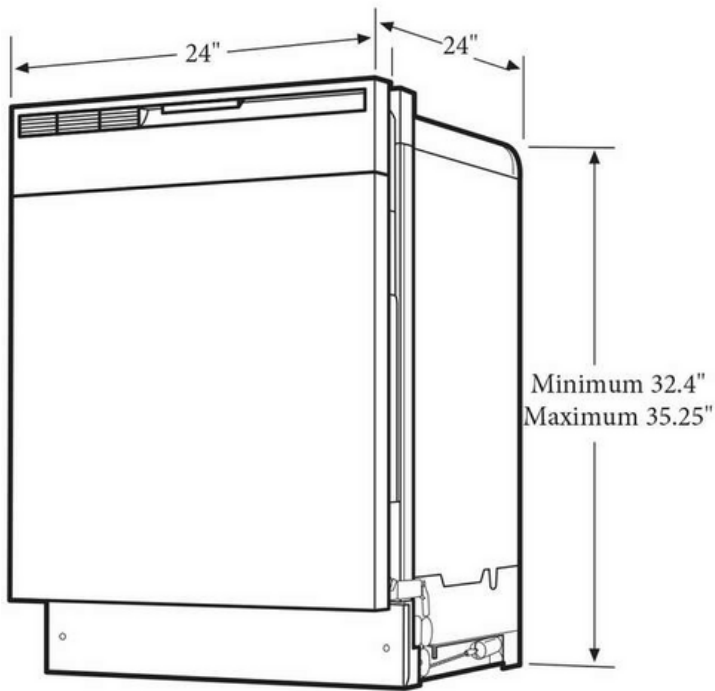
Safety Certifications and Approvals

UL Listed	Yes
Meets ASSE 1006 Requirements	Yes
NSF Certified	Yes

Performance Certifications and Approvals

CEE Tier	Tier 1
ENERGY STAR Certified	Yes

Installation Diagram



24" Built-In Dishwasher

Dishwasher

Available Products: FFBD2420UB, FFBD2420US,

Available Colors: Black, Stainless Steel, White

FFBD2420UW

Version: 07/23

FRIGIDAIRE

GALLERY



2.2 Cu Microwave

Countertop Microwave

Available Products: GMBS3068BD, GMBS3068BF

Available Colors: Black Stainless Steel, Stainless Steel

Version: 05/24

Product Specifications

Cooking Controls

Cooking Power	1100 Watts
Number of Power Levels	10

Microwave Control Features

+ 10 Seconds	Yes - One Touch
+ 30 Seconds	Yes - One Touch
Quick Start	Yes

Exterior

Door Swing	Side-Swing Door
Two Step Door Operation	Yes

Dimensions and Volume

Height	13 5/8"
Width	24 7/16"
Depth	19 5/8"
Microwave Interior Height	11 1/4"
Microwave Interior Width	17 7/8"
Microwave Interior Depth	19 1/8"
Microwave Capacity	2.2 Cu. Ft.

Installation

Power Supply Connection Location	Right Top
----------------------------------	-----------

Safety Certifications and Approvals

cUL Listed	Yes
UL Listed	Yes

Microwave Cooking

Auto Cook	Yes
Bacon	Yes
Beverage	Yes
Defrost	Yes
Melt / Soften	Yes
Popcorn	Yes
Potato	Yes
Reheat	Yes
Sensor Cooking	Yes
Sensor Reheat	Yes
Veggies	Yes

Additional Settings

Child Lock	Yes
Demo On / Off	Yes
Language Options	English and French
Setting Weight Lb / Kg	Yes
Timer On / Off	Yes
Volume # of Settings	4 (Includes Off)

Internal Specifications

Interior Color	White
Interior Light Quantity	1
Interior Light Type	LED
Interior Light Wattage	1.2 Watts
Turntable Diameter	16 1/2"
Turntable Material	Glass

Electrical Specifications

Voltage Rating	120 V
Watts @ 120 Volts	1100 Watts

General Specifications

Prop 65 Label	Yes
Warranty - Labor	1 Year
Warranty - Parts	1 Year

For planning purposes only. We reserve the right to change specifications or discontinue models without notice. Refer to Product Installation Guide for detailed installation instructions on the web at frigidaire.com/frigidaire.ca Electrolux Major Appliances, N.A.

USA • 10200 David Taylor Drive • Charlotte, NC 28262 • Charlotte, NC 28262 • 1-877-4electrolux (1-877-435-3287) • frigidaire.com
CANADA • 5855 Terry Fox Way • Mississauga, ON L5V 3E4 • 1-800-265-8352 • frigidaire.ca

30" Overhead Range Hood

Ventilation

Available Products: FCVW3025AB, FCVW3025AS, FCVW3025AW

Available Colors: Black, Stainless Steel, White

Version: 05/24



Product Specifications

Ventilation System

Ventilation Options	Convertible
Ducted Vent	Optional (See Manual)
Ductless Vent	Yes - Out of the Box
Exhaust Fan Speeds	2
Maximum Air Flow Capacity	230 CFM
Minimum Air Flow Capacity	170 CFM
Maximum Sones Rating	4.3 sone
Minimum Sones Rating	1.7 sone
Grease Filter Included	Yes
Grease Filter Quantity	1
Grease Filter Type	Aluminum Mesh
Grease Filter Dishwasher Safe	Yes
Charcoal Filter Included	Yes
Charcoal Filter Quantity	1

Surface Light System

Lighting Type	Incandescent
Number of Lights	1
Number of Light Settings	1

Electrical Specifications

Voltage Rating	120 V
----------------	-------

General Specifications

Prop 65 Label	Yes
Warranty - Labor	1 Year
Warranty - Parts	1 Year

Controls

Control Type	Rocker Switch
--------------	---------------

Dimensions and Volume

Height	5"
Width	30"
Depth	18 5/8"

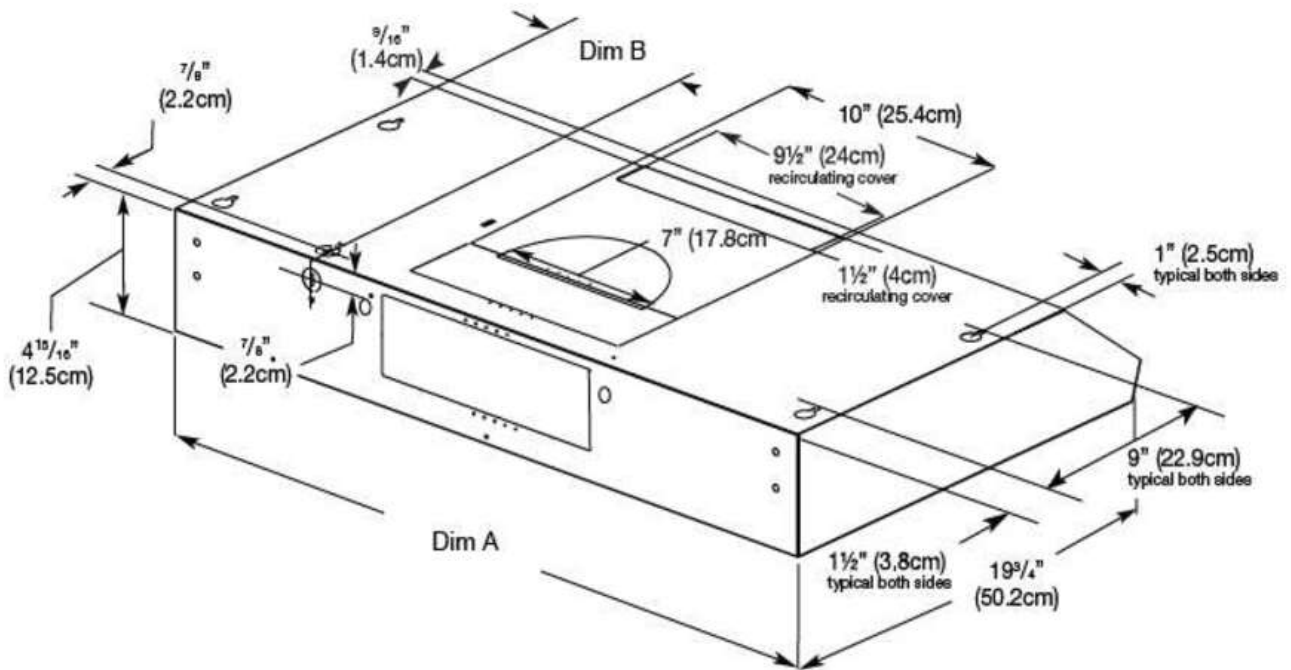
Installation

Duct Exit Location	Top
Hardwired	Yes
Power Supply Connection Type	Hard Wired

Safety Certifications and Approvals

UL Listed	Yes
-----------	-----

Installation Diagram



	Dim A	Dim B
FCVW3025AS	30" (76.2 cm)	6 9/16" (16.7 cm)

Building the
Future, Together.

 Electrolux | FRIGIDAIRE

LAUNDRY



4.4 Cu. Ft. Top Load Washer

Top Load Washer

Available Products: FLVW7523BW

Available Colors: White

Version: 08/24

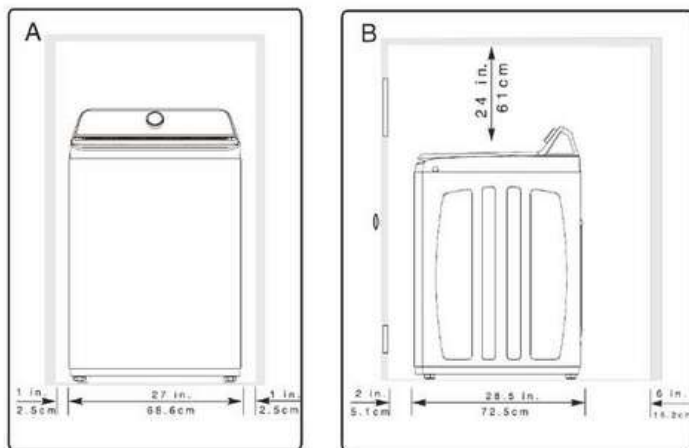
Product Specifications

Washer		Washer Cycles	
Agitator	Yes	Cycle Count	10
Drum Material	Stainless Steel	Active Wear	Yes
Maximum Spin Speed	710 RPM	Bulky	Yes
Water Level Adjustment	Yes	Delicates	Yes
Washer Options		Fast Wash	Yes
Chime	Yes	Heavy	Yes
Delay	Yes	Normal	Yes
Extra Rinse	Yes	Rinse and Spin	Yes
Fabric Softener	Yes	Whites	Yes
Favorite	Yes	Soil Levels	
Max Fill	Yes	Soil Level Selections	Yes
Soak	Yes	Light	Yes
Temperature Settings		Normal	Yes
Auto Temperature Control	Yes	Heavy	Yes
Cold	Yes	Extra Heavy	Yes
Tap Cold	Yes	Controls	
Warm	Yes	Child Lock	Yes
Hot	Yes	Control Lock	Yes
Dispenser		Cycle Status Lights	Yes
Bleach Dispenser	Yes	Delay Start	Yes
Detergent Dispenser	Yes	Delay Start Time	12 Hours
Dispenser Drawer	Yes	Estimated Time Remaining	Yes
Fabric Softener Dispenser	Yes	Power On/Off	Yes
Dimensions and Volume		Electrical Specifications	
Height	42"	Minimum Circuit Required	15 Amps
Width	27"	Voltage Rating	120 V
Depth	28 1/2"	General Specifications	
Washer Drum Capacity	4.4 Cu. Ft.	Chime On / Chime Off	Yes
Energy Data		Leveling Legs	Yes
Integrated Water Factor	6.50	Prop 65 Label	Yes
kWh/cycle	0.37 kWh	Warranty - Labor	1 Year
kWh/year	110 kWh	Warranty - Parts	1 Year
Modified Energy	1.57	Safety Certifications and Approvals	
Performance Certifications and Approvals		UL Listed	Yes
High Efficiency	Yes		

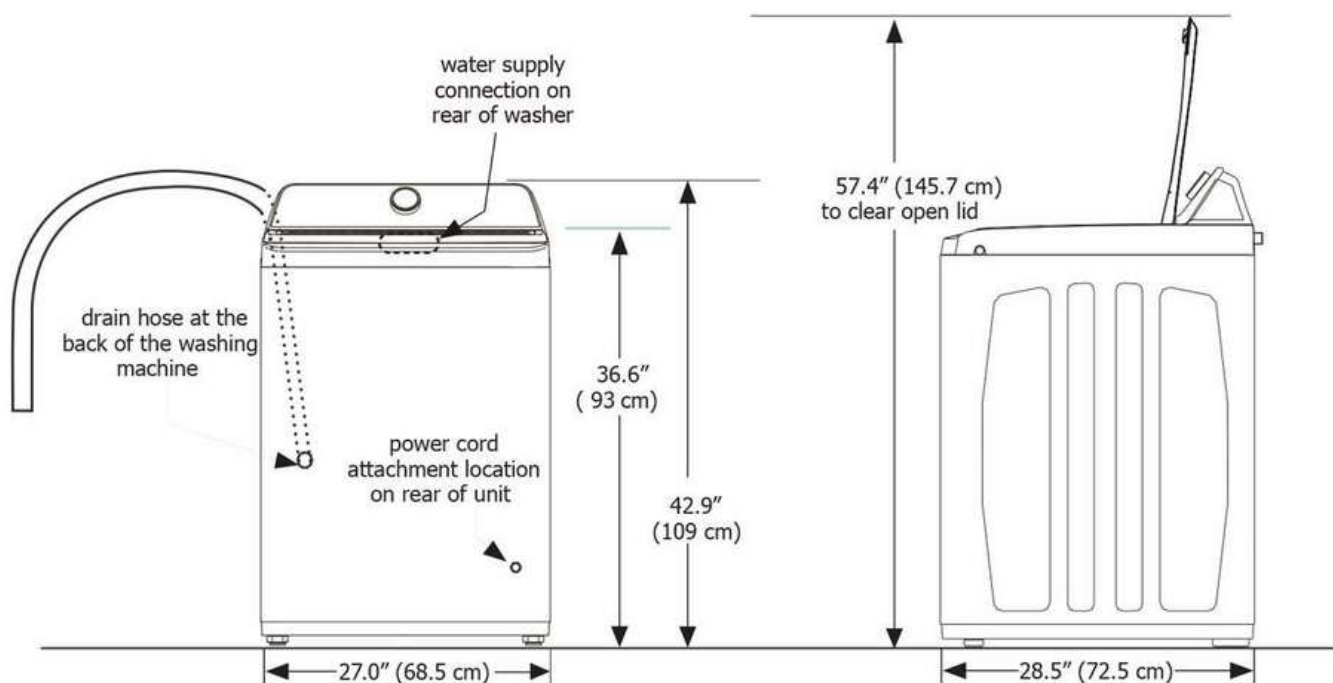
Installation Diagram

Clearance requirements

MINIMUM INSTALLATION CLEARANCES - Inches (cm)				
	SIDES	REAR	TOP	FRONT
Alcove	1" (2.5 cm)	6" (15.2 cm)	24" (61 cm)	n/a
Closet	1" (2.5 cm)	6" (15.2 cm)	24" (61 cm)	2" (5.1 cm)



Washer Dimensions



¹Drain hose length on washer approximately 66.93 inches (170 cm).

²Power supply cord length approximately 72.8 inches (185 cm).



7 Cu. Ft. Electric Dryer

Dryer

Available Products: FLVE7523BW

Available Colors: White

Version: 08/24

Product Specifications

Dryer

Drum Back Type	Stainless Steel
Drum Material	Aluminized Alloy Steel
Dryness Level Selections	Yes
Lint Filter	Yes
Moisture Sensor	Yes

Dryer Options

Child Lock	Yes
Damp Dry Signal	Yes
Time Adjust (Add Time)	Yes
Time Adjust (Remove Time)	Yes
Wrinkle Care	Yes

Dryness Level

Max	Yes
Normal	Yes
More Dry	Yes
Less	Yes

Exterior

Reversible Door	Yes
-----------------	-----

Electrical Specifications

Voltage Rating	120v
----------------	------

Installation

Ventilation Type	Vented
------------------	--------

Safety Certifications and Approvals

CSA Listed	Yes
UL Listed	Yes

Dryer Cycles

Cycle Count	10
Active Wear	Yes
Air Fluff	Yes
Bulky	Yes
Casual	Yes
Delicates	Yes
Fast Dry	Yes
Heavy Duty	Yes
Normal	Yes
Sanitize	Yes
Timed Dry Time	Yes

Drying Temperatures

Air Fluff	Yes
Low	Yes
Medium	Yes
High	Yes
Maximum	Yes

Controls

Child Lock	Yes
------------	-----

Dimensions and Volume

Height	43 1/10"
Width	27"
Depth	30 1/10"
Dryer Drum Capacity	7 Cu. Ft.

Energy Data

kWh/cycle	2.27 kWh
kWh/year	641 kWh

General Specifications

Chime On / Chime Off	Yes
Leveling Legs	Yes
Prop 65 Label	Yes
Warranty - Labor	1 Year
Warranty - Parts	1 Year

Installation Diagram

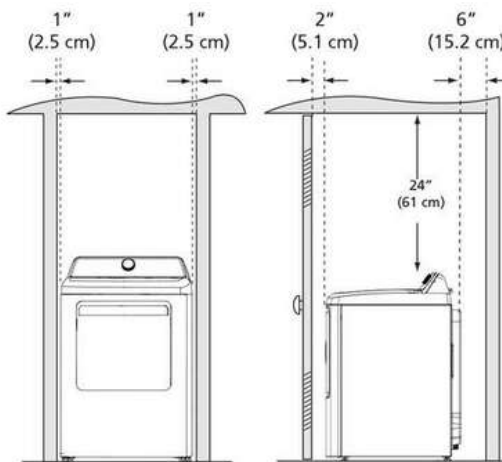
Installation in a Recess or Closet

- 1 A dryer installed in a bedroom, bathroom, recess or closet, **MUST** be exhausted outdoors.
- 2 No other fuel burning appliance shall be installed in the same closet as the gas dryer.
- 3 Your dryer needs the space around it for proper ventilation.

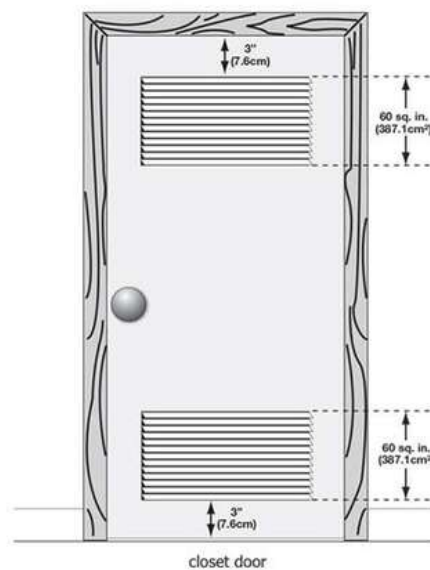
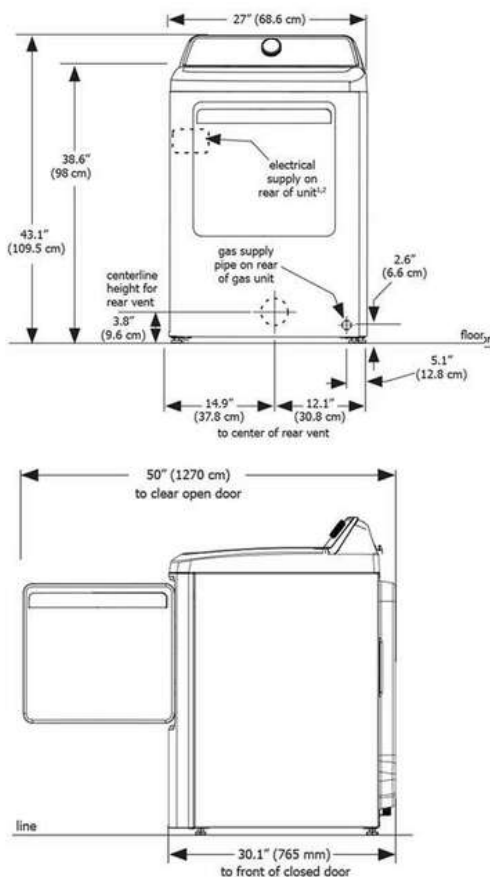
DO NOT install your dryer in a closet with a solid door.

- 4 Closet door ventilation required: A minimum of 120 square inches (774.2 cm²) of opening, equally divided at the top and bottom of the door, is required. Openings should be located 3 inches (7.6 cm) from bottom and top of door. Openings are required to be unobstructed when a door is installed. A louvered door with equivalent air openings for the full length of the door is acceptable.

MINIMUM INSTALLATION CLEARANCES - Inches (cm)				
	SIDES	REAR	TOP	FRONT
Alcove	1" (2.5 cm)	6" (15.2 cm)	24" (61 cm)	n/a
Closet	1" (2.5 cm)	6" (15.2 cm)	24" (61 cm)	2" (5.1 cm)



Dryer Dimensions



Number of 90° turns	MAXIMUM LENGTH of 4" (10.2 cm) Rigid Metal Duct	
	VENT HOOD TYPE	
	(Preferred)	
	4" (10.2 cm)	louvered
	2.5" (6.4 cm)	
0	90 ft. (27.4 m)	60 ft. (18.3 m)
1	60 ft. (15.9 m)	45 ft. (13.7 m)
2	45 ft. (13.7 m)	35 ft. (10.7 m)
3	35 ft. (10.7 m)	25 ft. (7.6 m)



Front Load Washer with LuxCare® Wash - 4.4 Cu. Ft.

Front Load Washer

Available Products: ELFW7337AW

Available Colors: White

Version: 08/22

Product Specifications

Washer		Washer Cycles	
Drum Light	No	Clean Washer	Yes
Drum Material	Stainless Steel	Cycle Count	7
Maximum Spin Speed	1,100 RPM	Delicates	Yes
Water Heater	No	Fast Wash	Yes
Water Level Adjustment	Yes	Normal	Yes
		Rinse and Spin	Yes
		Whites	Yes
		Heavy Duty	Yes
Washer Options		Soil Levels	
Extra Rinse	Yes	Extra Light	Yes
Extended Refresh	Yes	Light	Yes
Delay Start Time	1-12 Hours	Normal	Yes
		Heavy	Yes
Temperature Settings		Washer Spin Speeds	
Cool	Yes	Spin Speed Selections	4
Warm	Yes	High	Yes
Hot	Yes	Medium	Yes
Eco Cold	Yes	Low	Yes
		No Spin	Yes
Controls		Dispenser	
Cancel	Yes	Bleach Dispenser	Yes
Cycle Status Lights	Yes	Detergent Dispenser	Yes
Delay Start	Yes	Fabric Softener Dispenser	Yes
Control Lock	Yes		
Pause Function	Yes	Dimensions and Volume	
Power On/Off	Yes	Height	38"
Start	Yes	Width	27"
		Depth	32"
		Washer Drum Capacity	4.4 Cu. Ft.
Exterior		Energy Data	
Door Latch	Yes	Integrated Water Factor	3.2
Reversible Door	Yes	kWh/year	50 kWh
		Modified Energy Factor	2.76
		Water Usage/Year	4,154 Gallons
		kWh/cycle	0.17 kWh
Electrical Specifications			
Minimum Circuit Required	15 Amps		
Voltage Rating	120 V		
Installation			
Optional Pedestal	Yes		
Stackable	Yes		
Performance Certifications and Approvals			
CEE Tier	Tier 1		
ENERGY STAR Certified	Yes		
High Efficiency	Yes		

Front Load Washer with LuxCare® Wash - 4.4 Cu. Ft.

Front Load Washer

Available Products: ELFW7337AW

Available Colors: White

Version: 08/22

General Specifications

Chime On / Chime Off	Yes
Leveling Legs	Yes
Prop 65 Label	No
Warranty - Labor	1 Year
Warranty - Parts	1 Year

Safety Certifications and Approvals

UL Listed	Yes
-----------	-----

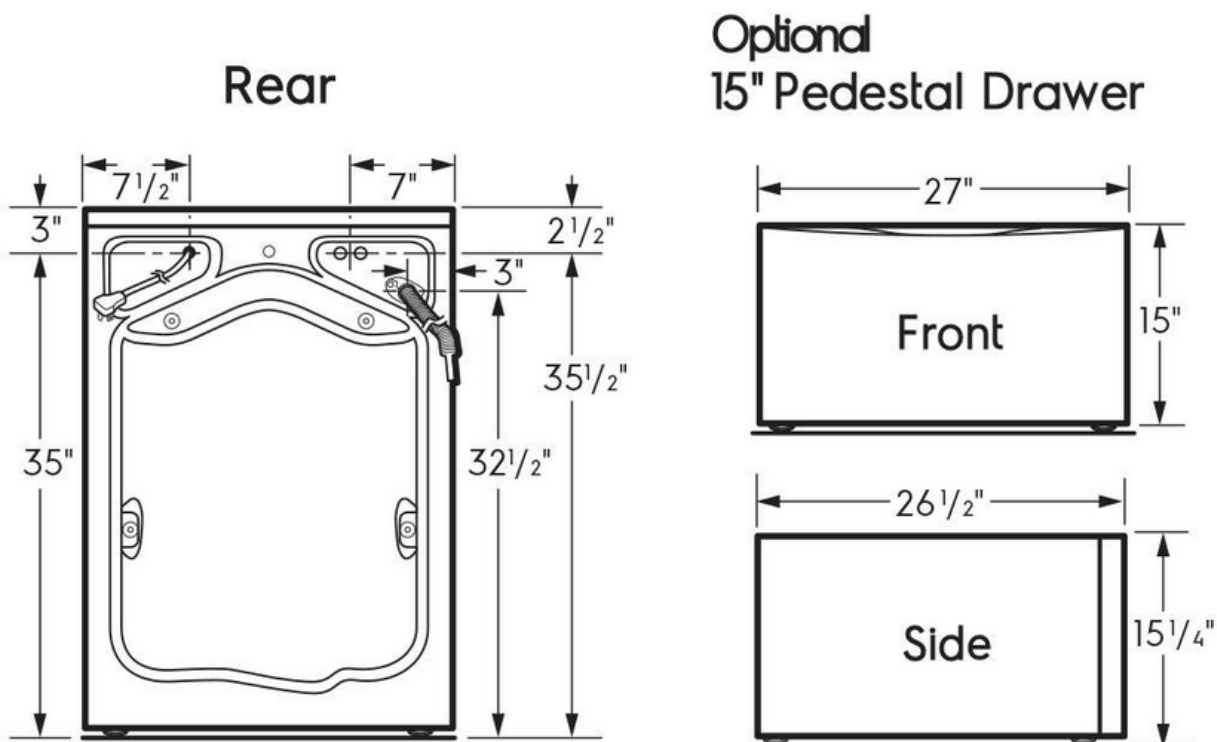
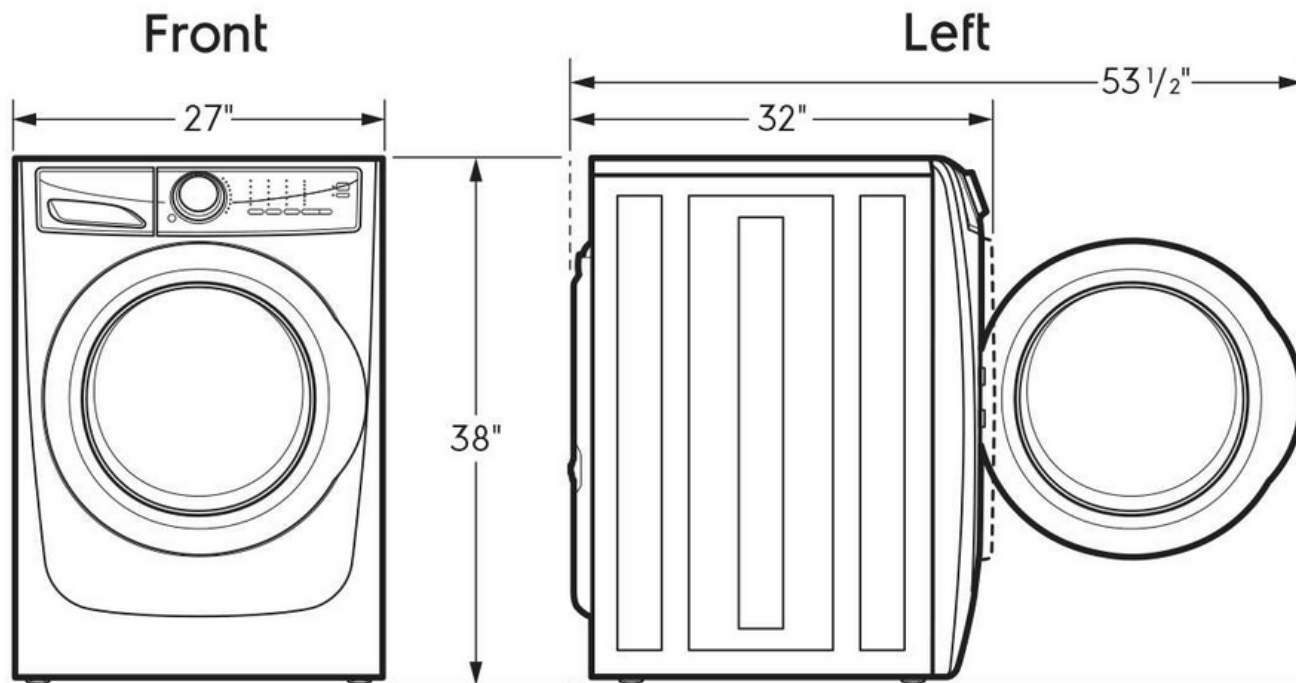
We reserve the right to change specifications or discontinue models without notice.

Electrolux Major Appliances, N.A.

USA • 10200 David Taylor Drive • Charlotte, NC 28262 • Charlotte, NC 28262 • 1-877-4electrolux (1-877-435-3287) • electrolux.com/en

CANADA • 5855 Terry Fox Way • Mississauga, ON L5V 3E4 • 1-800-265-8352 • electrolux.ca

Installation Diagram





Front Load Electric Dryer – 8.0 Cu. Ft.

Dryer

Available Products: ELFE7337AW

Available Colors: White

Version: 08/22

Product Specifications

Dryer

Air Flow	200 CFM
Drum Back Type	Painted Steel
Drum Material	Painted Steel
Dryness Level Selections	Yes
Lint Filter	Yes
Moisture Sensor	Yes

Dryer Options

Wrinkle Release	Yes
Extended Tumble	Yes
Dry Boost	Yes
Delay Start Time	1-12 Hours

Dryness Level

Damp	Yes
High	Yes
Normal	Yes
Low	Yes

Exterior

Door Latch	Yes
Reversible Door	Yes

Electrical Specifications

Minimum Circuit Required	30 Amps
Voltage Rating	208/240v

Installation

Optional Pedestal	Yes
-------------------	-----

Performance Certifications and Approvals

ENERGY STAR Certified	Yes
-----------------------	-----

Dryer Cycles

Bulky	Yes
Cycle Count	7
Delicates	Yes
Fast Dry	Yes
Heavy Duty	Yes
Normal	Yes
Timed Dry Time	Yes
Towels	Yes

Drying Temperatures

High	Yes
Low	Yes
Normal	Yes
Eco Dry	Yes

Controls

Cancel	Yes
Cycle Status Lights	Yes
Delay Start	Yes
Estimated Time Remaining	Yes
Control Lock	Yes
Pause Function	Yes
Power On/Off	Yes
Start	Yes

Dimensions and Volume

Height	38"
Width	27"
Depth	32"
Dryer Drum Capacity	8 Cu. Ft.

Energy Data

kWh/year	620 kWh
Combined Energy Factor (CEF)	3.93
kWh/cycle	2.19 kWh

General Specifications

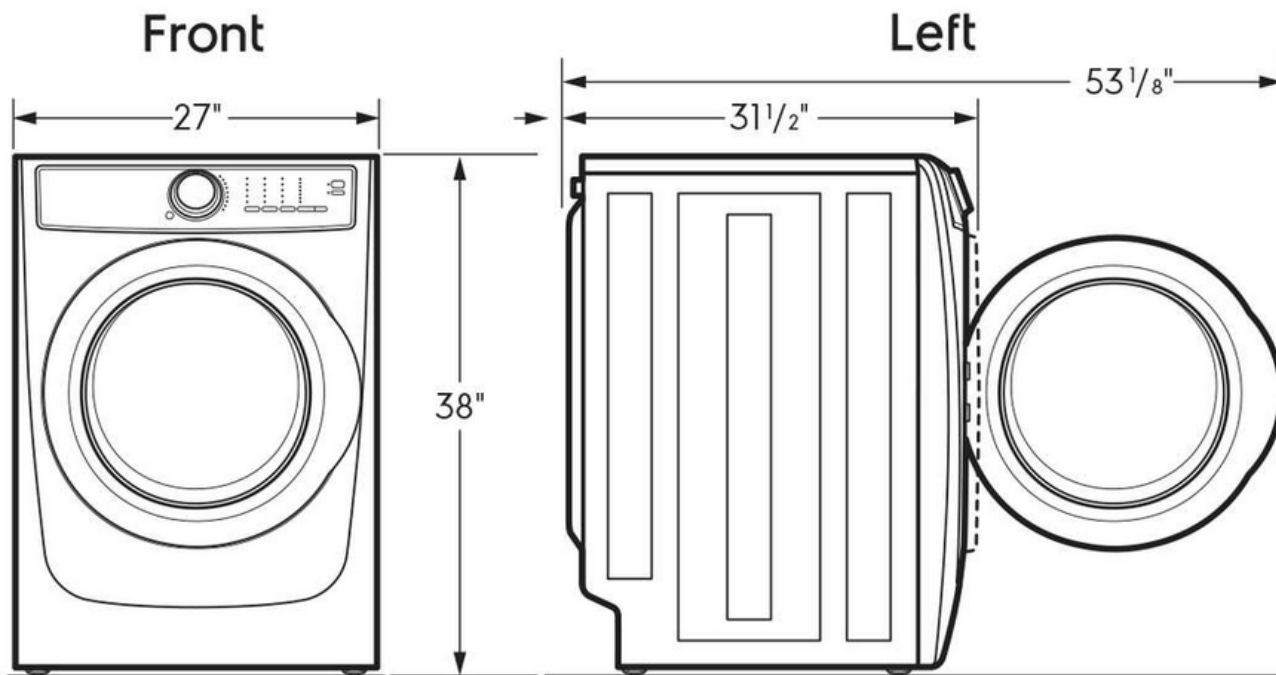
Chime On / Chime Off	Yes
Leveling Legs	Yes
Prop 65 Label	No
Warranty - Labor	1 Year
Warranty - Parts	1 Year

Safety Certifications and Approvals

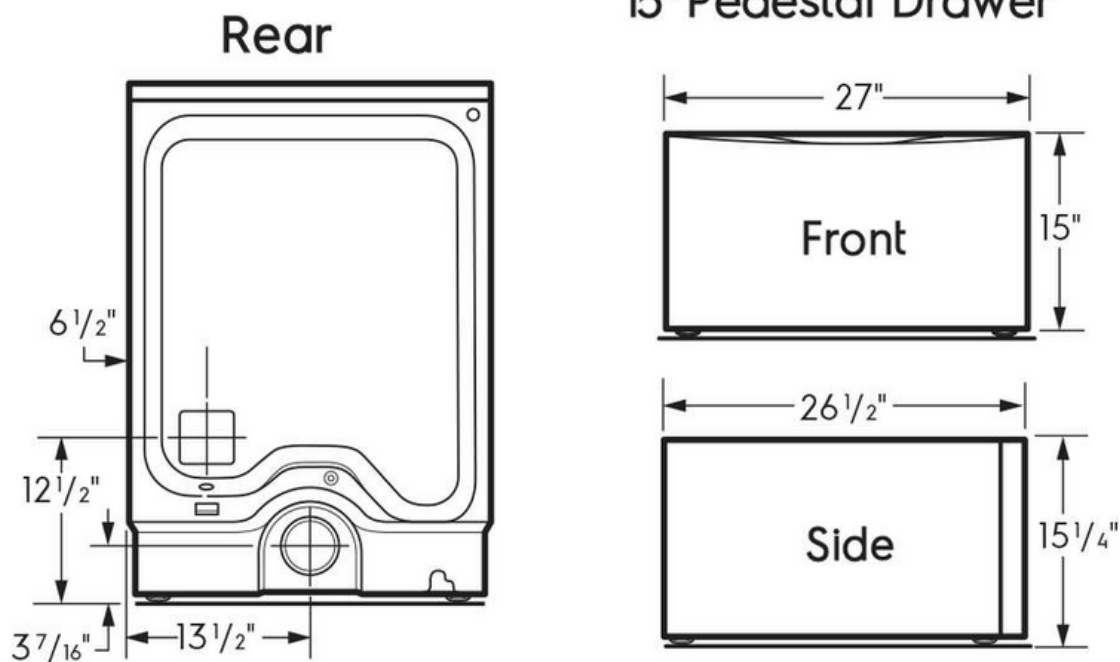
UL Listed

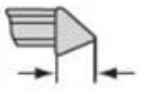

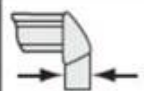
Yes

Installation Diagram



**Optional
15" Pedestal Drawer**



Max. Number of 90° turns	MAXIMUM LENGTH of 4" (102 mm) Rigid Metal Duct	
	VENT HOOD TYPE	
	(Preferred)	
	 4" (10.2 cm)	 louvered  2.5" (6.35 cm)
0	125 ft (38 m)	110 ft (33.5 m)
1	115 ft (35 m)	100 ft (30.5 m)
2	105 ft (32 m)	90 ft (27.5 m)
3	95 ft (29 m)	80 ft (24.5 m)
4	85 ft (26 m)	70 ft (21.5 m)



Electrolux

STACKIT7X

- **Product Details**

- Easily stack your washer and dryer when you use the Electrolux Stacking Kit for the Electrolux 17 series Front Load Washer and Dryer (STACKIT7X). This kit allows you to save space in your home or apartment for other things like laundry hampers, iron storage, and many other things. Stacking these units together also makes it easy to reach each unit for an easier laundry experience. Making it easier on you and the space in your home, this stacking kit will be a welcome addition to any home. Fits Electrolux front load washers and dryers including model #s containing 7337, 7437, 7537, 7637.

- Great for small laundry rooms or spaces
- Space saving
- Easy to install



Building the
Future, Together.

 Electrolux | FRIGIDAIRE

COMMON AREA



20 Cu. Ft. Counter-Depth French Door Refrigerator

French Door Refrigerator

Available Products: FRFG2033AV

Version: 04/25

Product Specifications

Dispenser

Dispenser Location	Internal
Water Dispenser	Yes

Freezer

Auto Close Drawer	Yes
Automatic Defrost	Yes
Baskets / Bins Color	White
Baskets / Bins Material	Plastic
Interior Lighting	LED
Shelf Material	Glass
Number of Baskets / Bins	2
Number of Pull Out Shelves	2
Total Number of Shelves	2

Controls

Air Filter Indicator	Yes
Control Location	Top Center of Fresh Food
Digital Display	Yes
Door Ajar Alarm	Yes
Ice Maker On/Off	Yes
Internal Control Lock	No
Mute Sound Control	No
On/Off Display	No
Power Failure Alarm	Yes
Power On/Off	No
Sabbath Mode	Yes
Water Filter Indicator	Yes

Dimensions and Volume

Height With Hinge	69 7/10"
Height Without Hinge	68 4/5"
Width	32 4/5"
Width of Cabinet	32 7/10"
Width With Doors 90° Open	36 9/10"
Depth of Cabinet	25 1/5"
Depth With Door	29 1/10"
Depth With Door 90° Open	43 1/10"
Depth With Door and Handle	29 1/10"
Depth With Drawer Open	43 3/10"
Freezer Capacity	5.5 Cu. Ft.
Fresh Food Capacity	14.1 Cu. Ft.
Total Capacity	19.6 Cu. Ft.

Refrigerator

Air Filter	Yes
Crisper Color	Clear
Deli Drawer	No
Door Bin Color	Clear
Interior Lighting	LED
Shelf Material	Glass
Water Filter	Yes
Number of Adjustable Gallon Plus Door Bins	2
Number of Fixed Gallon Plus Door Bins	4
Total Number of Door Bins	6
Number of Adjustable Shelves	2
Number of Crispers	2

Ice Maker

Ice Maker	Yes
Ice Maker Location	Frozen Section
Ice Shape	Pyramid

Exterior

Counter-Depth	Yes
Door Finish	Smooth
Door Stops	Yes
Front Rollers	Yes
Rear Rollers	Yes

Electrical Specifications

Amps @ 120 Volts	3.3 Amps
------------------	----------

Certifications and Approvals

ADA Compliant*	Yes
	Accessibility pursuant to Uniform Federal Accessibility Standards (UFAS) when used with optional water filter bypass.

*ADA Compliant Disclaimer

Safety Certifications and Approvals

CSA Listed	Yes
------------	-----

General Specifications

Annual Energy	557 kWh
Condenser Type	Dynamic
Cooling System	Single Evaporator
Prop 65 Label	Yes
Refrigerant Type	R-600A
Warranty - Labor	1 Year
Warranty - Parts	1 Year

Connectivity

Wi-Fi Enabled	No
---------------	----

Performance Certifications and Approvals

ENERGY STAR Certified	Yes
-----------------------	-----

Building the
Future, Together.

 Electrolux | FRIGIDAIRE

OPTION: GARBAGE DISPOSAL



Waste Disposer

SC03DISPC1

1/3 Horsepower Coded



Features

Horsepower	1/3
Motor RPM	2400
Capacity	29.8 oz (880ml)
Impellers	Stainless Steel Jam-Resistant Dual Impellers
Mounting Type	3-Bolt
Turntable Material	Stainless Steel
Grind Ring Material	Stainless Steel
Feed Type	Continuous
Controls	Wall Switch
Sound Shell	Partial
Splash Guard	Removable
Motor Type	High-Torque Permanent Magnet
Sink Stopper	Yes
Manual Overload Protect	Yes
Drain Outlet Diameter	1-1/2"
Drain Connector	Yes
Drain Elbow	Yes
Warranty	3 Years ¹

Specifications

Amps @ 120 Volts	4.5
Wiring Requirements	Coded
Voltage Rating	115V, 60Hz
Exterior Styling	Shell

Accessories

Sink Flange Kit	Stainless Steel
-----------------	-----------------

¹See warranty for complete details.

Signature Features

TORQUE MASTER®

Balanced Grinding System:



A combination of computer designed and balanced components working in unison to provide superior torque grind speed and long system life.

3-Bolt Mounting System

Compact, lightweight design fits 90% of existing sink mounts for quick installation.

Removable Splashguard

Removable splash guard, ideal for easy cleaning and replacement.

Permanent Magnet Motor

Maximum torque instantly with the power to cut through potential jams..

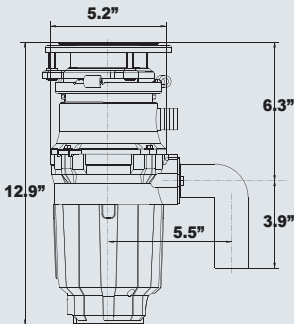
3-Year Limited Warranty

See warranty for complete details. LIFETIME warranty against failure due to corrosion.

Attached Power Cord

Ready to plug in.


Product Dimensions



Specifications subject to change.



Division #12



Division 12.200

Window Treatments

All Twin windows have 2 drops with a single valance and triple windows have 3 drops with a single valance. All valances on windows will have a 3/4" return inside Mount

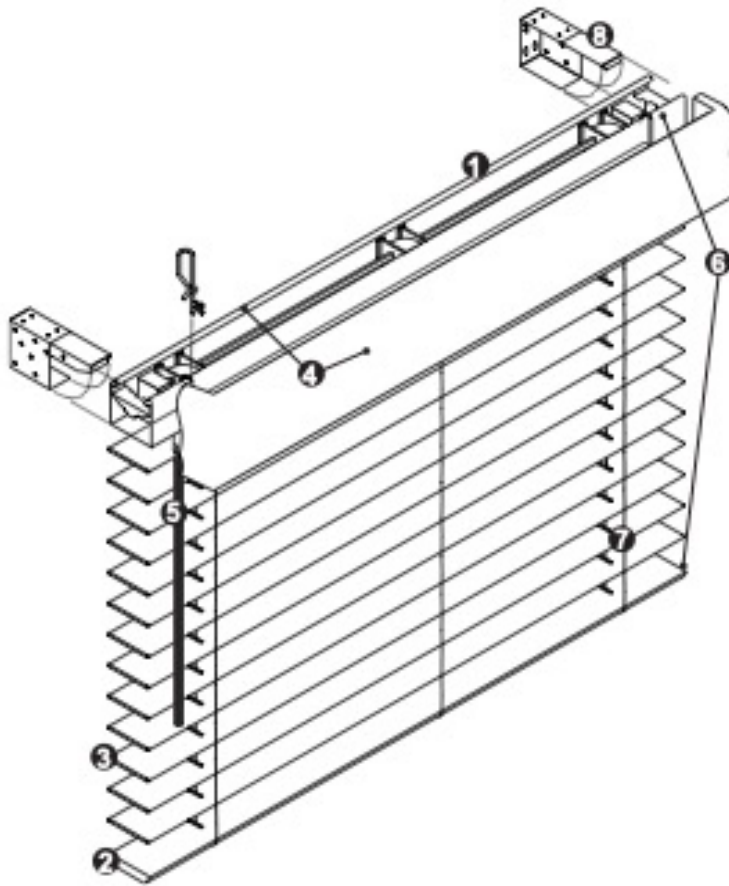
PRODUCT CUT SHEET 2" HORIZONTAL FAUXWOOD - CORDLESS



- Cordless Operation
- Wand Tilt
- Color: Snow White
- 2" Smooth Slat
- 3" Crown Valance with Returns
- WCMA / ANSI A100.1 Compliant
- "Best 4 Kids Certified"
- NFPA Code Compliant for Flame Resistance

SPECIFICATIONS:

- 1. Headrail** 1.5" High x 2" Wide low profile PVC
- 2. Bottomrail** Rectangular, hollow PVC bottomrail with end caps
- 3. Slats** 2" Wide Faux Wood PVC
- 4. Valance** 3" curved profile crown valance with 3/4" returns on all inside mount, full return on all outside mount
- 5. Wand Tilter** The tilt wand is electro zinc coated solid steel measuring 1/4 inch at its widest points. The tilter wheel is made of acetal thermoplastic and the gear and housing are made of steel to provide smooth, quiet operation.
- 6. Cordless** Cordless design with a simple raise and lower by grasping the bottomrail. Incorporates a "crash proof" safety feature that locks blind automatically upon release of bottomrail.
- 7. Cord Ladder** Polyester braided cord ladders provide maximum strength and flexibility with minimum stretch ensuring the slats overlap correctly when in the closed position. Standard ladder spacing between slats is 44mm/1.73in.
- 8. Installation Brackets** Brackets are made of steel and color matched to the headrail. The front is hinged to lock the headrail in place. For blinds over 60" wide a center bracket will be provided.



Not Provided:
Door Sidelights
Door Transoms
Storefront Windows
Storefront Doors
Common Areas

FAUX WOOD BLINDS

OPERATION & MAINTENANCE



TO TILT

Twist the wand.

TO RAISE

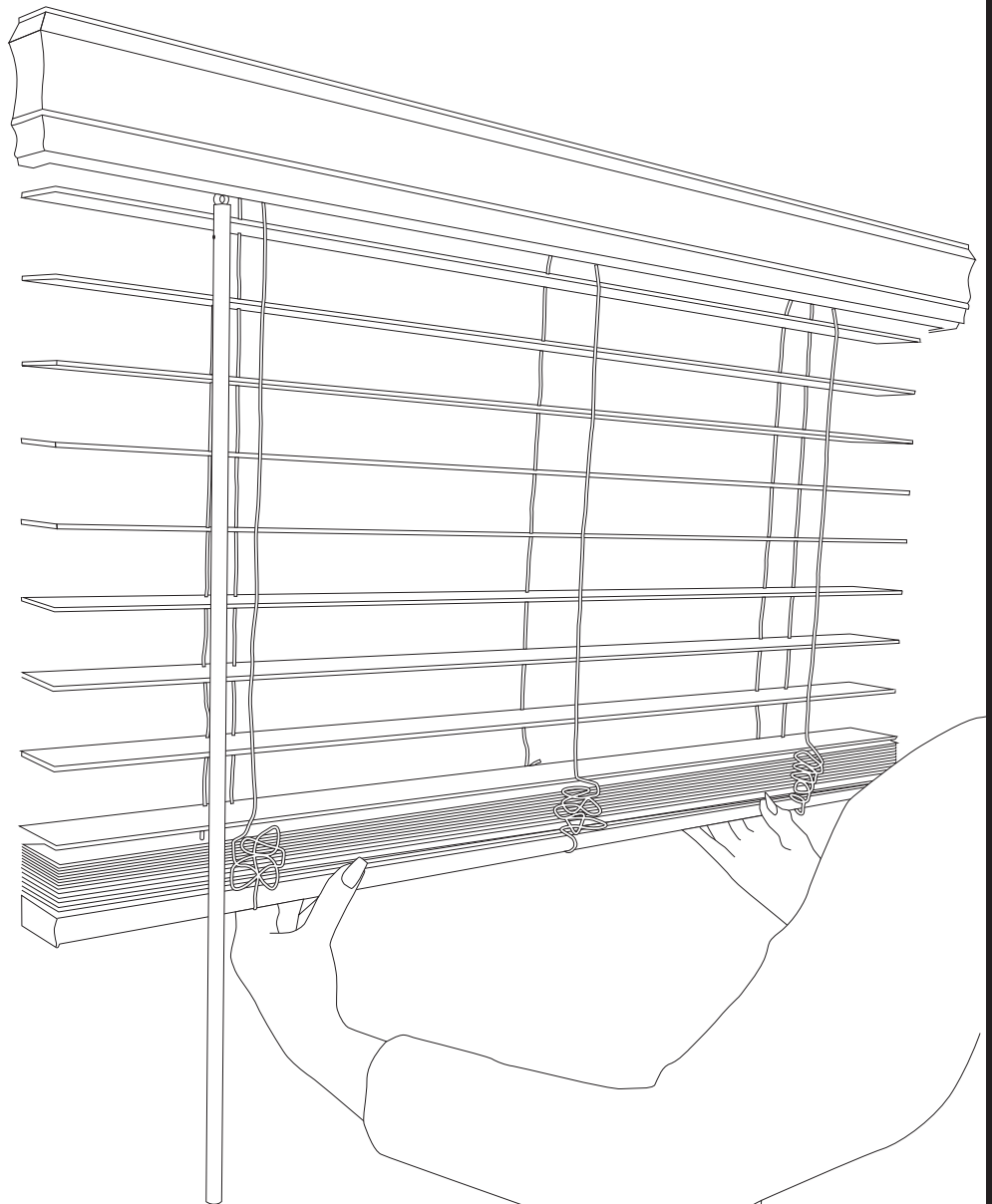
First, tilt blinds to the fully open position. Then to raise the blind, use both hands on each side of the bottom rail to gently lift it up.

TO LOWER

First, tilt blinds to the fully open position. Then to lower the blind, use both hands on each side of the bottom rail to gently pull it down.

TROUBLESHOOTING

If the blinds are moved to an uneven position or don't sit flat on the window sill, use both hands on the each side of the bottom rail to slowly raise and lower blinds until they level out.



CLEANING

*All of our products are designed to require minimal care and maintenance, but we do recommend that you dust regularly with a soft cloth or feather duster. This will maintain a like-new appearance. For some of the vinyl fabrics or vertical vanes, you can wipe off any dirt or stains with a damp cloth when necessary. You may also use compressed air from a can or the brush attachment from your household vacuum to dust off selected products. **We do not recommend the use of any detergents as this may damage the product.***



A Better Blind

LIMITED LIFETIME WARRANTY

INCLUDED

- A Better Blind window treatments are warranted for One Year from the date of purchase for defects in materials, workmanship, warping/fading, or inability to function provided that the original purchaser owns the product.
- Internal mechanisms including components & brackets.
- Repairs and/or replacements will be arranged with similar parts or products.
- Motorization components are warranted for up to 5 years from the date of purchase provided that the original purchaser owns the product.

NOT INCLUDED

- Neglect to follow instructions for measuring, installation, and/or maintenance.
- Normal wear and tear
- Abuse, misuse, or adjustments made to the product outside of our facility.
- Exposure to natural elements including, but not limited to wind, water and moisture.

A Better Blind, Inc. will repair or replace any product or component found to be defective. All products are manufactured for use inside the house. Any product installed on the exterior of the house will not be covered by the warranty.

To Obtain Warranty Service

- Contact the original place of purchase for warranty assistance.
- If you have any problems or questions about warranty service, please write A Better Blind, Inc. at 5350 N.W. 165 St., Miami, Florida 33014 or call us at (800) 627-7117.



PART 1 GENERAL

1.1 SECTION INCLUDES

- A. Interior Window Coverings:
 - 1. Cordless Fauxwood blinds. (A Better Blind 2" Horizontal Cordless Fauxwood Blinds)

1.2 RELATED SECTIONS

- A. Section 06 10 00 - Rough Carpentry.
- B. Section 09 21 16.23 - Gypsum Board Shaft Wall Assemblies.
- C. Section 09 51 23 - Acoustical Tile Ceilings.
- D. Section 09 90 00 - Painting and Coating.
- E. Division 16 - Electrical.

1.3 REFERENCES

- A. ASTM International (ASTM):
 - 1. ASTM E 21 - Standard Test Method for Elevated Temperature Tension Tests of Metallic Materials.
 - 2. ASTM E 22 - Recommended Practice for Conducting Long Time High Temperature Tension Test of Metallic Materials.
 - 3. ASTM G 21 - Standard Practice for Determining Resistance of Synthetic Polymeric Materials to Fungi.
 - 4. ASTM G 22 - Standard Practice for Determining Resistance of Plastics to Bacteria.
- B. National Fire Protection Association (NFPA):
 - 1. NFPA 70 - National Electrical Code.
 - 2. NFPA 701 - Fire Tests for Flame-Resistant Textiles and Films.
- C. Underwriters Laboratories Inc. (UL).

1.4 SUBMITTALS

- A. Submit under provisions of Section 01 30 00 - Administrative Requirements.
- B. Product Data: Submit manufacturer's product data sheets, including installation details, styles, material descriptions, profiles, features, finishes and operating instructions.
 - 1. Preparation instructions and recommendations.
 - 2. Storage and handling requirements and recommendations.
 - 3. Mounting details and Installation methods.
 - 4. Typical wiring diagrams if applicable.
- C. Shop Drawings: Submit manufacturer's shop drawings, including plans, elevations, sections, product details and finishes, installation details, operational clearances, wiring diagrams if applicable, and relationship to adjacent work.

- D. Window Treatment Schedule: Submit a schedule with same room designations indicated on the Drawings; including but not limited to opening sizes and key to typical mounting details.
- E. Maintenance Data: Submit instructions and precautions for cleaning and maintenance, operating hardware and controls as applicable.
- F. Selection Samples:
 - 1. Frame and Component Finishes: Submit 2 sample blinds.
 - 2. Slats: Submit 2 sets of color samples, representing manufacturer's standard range of finishes for the slats, unless a specific color was specified (See G.2. for requirements)
- G. Verification Samples:
 - 1. Frame and Component Finishes: Submit 2 sample blinds.
 - 2. Slats: Submit 2 sets of samples, representing actual finishes specified for slats.

1.5 QUALITY ASSURANCE

- A. Manufacturer's Qualifications: Engaged in manufacturing of products of similar type to that specified, with a minimum of 10 years successful experience.
- B. Installer Qualifications: Minimum 2 years successful experience installing similar products.
- C. Single Source Requirements: To the greatest extent possible, provide products specified in this section from a single manufacturer.

1.6 DELIVERY, STORAGE, AND HANDLING

- A. Delivery: Deliver materials to site protected from damage.
- B. Storage: Store materials in clean, dry area indoors in manufacturer's unopened packaging until ready for installation and in accordance with manufacturer's instructions. Store in a clean, dry area, laid flat to prevent sagging and twisting of packaging.
- C. Handling: Protect materials and finish from damage during handling and installation.

1.7 PROJECT CONDITIONS, COORDINATION AND SEQUENCING

- A. Maintain environmental conditions (temperature, humidity, and ventilation) within limits recommended by manufacturer for optimum results. Do not install products under environmental conditions outside manufacturer's recommended limits.
 - 1. Building shall be enclosed; windows, frames and sills shall be installed and glazed.
 - 2. Wet work shall be complete and dry.
 - 3. Ceilings, window pockets, electrical and mechanical work above window covering shall be complete.
- B. Conference: Convene a pre-installation conference to establish procedures to maintain optimum working conditions and to coordinate this work with related and adjacent work.

1.8 TYPE OF WARRANTY

- A. Manufacturer's Warranty:
 - 1. Provide 1 year warranty on all A Better Blind products sold by A Better Blind or by an authorized dealer.

1.9 EXTRA MATERIALS

- A. Attic Stock: Provide two extra blinds of primary size used for Owner's replacement stock.

PART 2 PRODUCTS

2.1 MANUFACTURERS

- A. Acceptable Manufacturer: A Better Blind, which is located at: 5350 NW 165th St, Hialeah, FL 33014; Tel: [\(305\) 623-4855](tel:3056234855); Email: info@abetterblind.com Web: www.abetterblind.com

2.2 FAUXWOOD BLINDS

- A. Window Coverings:
 - 1. Blinds: A Better Blind 2" Horizontal Cordless Fauxwood Blinds
 - 2. Slats: Straight cut edges.
 - a. Slat Width: 2 inches (50+/-0.3 mm)
 - b. Materials: Fauxwood PVC
 - c. Thickness: 2.8+/-0.2mm
 - d. Slat Color Name:
 - 1. Snow White Smooth
 - 3. Components:
 - a. Headrail:
 - 1. Size: 1 1/2 inch high x 2 inch wide, low profile.
 - 2. Description: U-shaped PVC with rolled edges at top.
 - b. Ladders: Vertical component shall be not less than 0.045 inch diameter nor greater than 0.066 inch diameter, and shall provide maximum strength and flexibility with minimum stretch. Horizontal component, or rungs, shall be not less than four threads and shall be approximately 31.0mm long.
 - c. Ladder Spacing: 44mm/~1.73in.
 - d. Bottomrails: Rectangular shaped, hollow Fauxwood PVC material attached to the end of the cord ladders. All bottomrail colors complement A Better Blind 2" slats.
 - e. Cordless raise and lower using bottom of blind
 - f. Tilter Operation Locations: Wand on right (standard)
 - g. Wand Tilter: The cord tilter shall be a wheel made of acetal thermoplastic. Twisting the wand will tilt the blind in a smooth, low friction operation. The gear and housing shall be made of steel.
 - h. Valance: 3 inch tall Fauxwood valance in a crown profile matching the A Better Blind 2" slat color included. Clear valance clips slide into the back of the valance and are hidden from view.

- i. Installation Brackets: Brackets shall be of adequate size to facilitate installation. The brackets shall facilitate easy installation and removal of headrail channel. End support box brackets shall be made of steel and will match color of headrail. Face of bracket shall be hinged to lock headrail in place or allow installation and removal.
- j. Center Support Brackets shall be furnished for blinds over 52 inches wide. Maximum spacing for center support brackets shall be 48 inches.
- k. Extension Brackets: Provide Extension brackets [for each Fauxwood blind] [where indicated].
- l. Hold Down Brackets: Provide hold down brackets [for each Fauxwood blind] [where indicated].

PART 3 EXECUTION

3.1 PREPARATION

- A. Inspect mounting surfaces, blocking for shade brackets or pocket assemblies, suspended acoustical or gypsum ceiling for recessed shades and verify field measurements. Prepare substrates using the methods recommended by the manufacturer for achieving the best result for the substrate under the project conditions.
- B. Do not proceed with installation until substrates have been prepared using the methods recommended by the manufacturer and deviations from manufacturer's recommended tolerances are corrected. Commencement of installation constitutes acceptance of conditions.
- C. If preparation is the responsibility of another installer, notify Architect in writing of deviations from manufacturer's recommended installation tolerances and conditions.

3.2 MEASURE AND INSTALLATION

- A. Prior to fabrication, verify actual opening dimensions by on site measurement. Calculate blind dimensions to fit within specified tolerances.
- B. Fabricate blinds to fill openings from head to sill and jamb-to-jamb. The minimum clearance blind to blind shall be 1/4 inch. Locate blind divisions at mullions.
- C. Install window treatments in accordance with manufacturer's instructions including the following.
 - 1. Install with adequate clearance to permit smooth operation of the shades throughout entire operational range.
 - 2. Adjust and balance window coverings to operate smoothly, easily, safely, and free from binding or malfunction throughout entire operational range.

3.3 CLEANING AND PROTECTION

- A. Clean soiled Fauxwood blind surfaces with a mild soap solution. Do not use cleaning methods involving steam, hot water, heat, bleach, abrasives, or solvents.
- B. To ensure proper drying, provide adequate ventilation for blinds.
- C. Protect installed products until completion of project. Repair damaged or improperly installed before Substantial Completion.

END OF SECTION

TEST REPORT

Client: A Better Blind, Inc.
5350 NW 165th St
Hialeah, FL 33014
Attention: Ashley Charry
E-Mail: ashley@abetterblind.com

Sample Description as Declared :

Sample Description : 2" Cordless Fauxwood Horizontal Blind
Supplier / Manufacturer Name A Better Blind
Style # : Not Provided
Age Grade: Not Provided
No. of Sample: 2
End Use: Not Provided
Country of Origin : China
Sample Received Date: May 19, 2020
Final Confirmation Received Date: May 26, 2020
Report Completion Date: May 27, 2020

OVERALL CONCLUSION:

Standard Result

1. Inspection for the Window Covering Manufacturing Association (WCMA) 1. Eligible
Best for Kids' Program^



**For and on behalf of
Intertek Products Group North America:**

Delilah Digitally signed
by Delilah Sierra
Date:
Sierra 2020.05.27
18:15:45 -05'00'

Intertek Consumer Goods

545 E Algonquin Road, Suite F
Arlington Heights, Illinois 60005
Telephone: 847-871-1020 Fax: 847-439-6156

TEST RESULTS:

**Inspection for the Window Covering Manufacturing Association (WCMA)
'Best for Kids' Program^**

Test Method: WCMA/ANSI A100.1, visual check and testing per Appendix C and D.

Results:

Requirement / Limit	Comments / Rating
<p>Visual Check/ ANSI/WMCA A100.1 S The window covering product shall not have any operating cords. If product contains an operating cord no further testing is required and product is not eligible for the WCMA 'Best for Kids' Program</p> <p>Test 1: It shall have no inner cords. Inner cords shall include breakaways, tie downs or cleats.</p> <p>Test 2: The inner cords shall not be accessible in accordance with Appendix C of the current version of ANSI/WCMA A100.1.</p> <p>Test 3: If accessible inner cords are present in products with no operating cords, the accessible inner cords cannot create a hazardous loop in accordance with Appendix D of the current version of ANSI/WCMA A100.1, or in any way create a potential wrap around hazard.</p>	<p>Not Eligible</p> <p>Comments: Inner cords present.</p>
<p>Accessible Cord, Appendix C</p> <p>Open Construction:</p> <ul style="list-style-type: none"> • If the inner cord accessibility probe can touch any cords before reaching the 2 in (51 mm) diameter section the cords are considered accessible and must be tested to Appendix D: Hazardous Loop Test Procedure • If the 2 in (51 mm) diameter section of the inner cord accessibility probe can be inserted into any opening then the cords are considered accessible and must be tested in Appendix D: Hazardous Loop Test Procedure <p>Closed Construction:</p> <ul style="list-style-type: none"> • If the inner cord accessibility probe can touch any cords before reaching the 4 in (102mm) diameter section the cords are considered accessible and must be tested to the Appendix D: Hazardous Loop Test Procedure • If the 4 in (102 mm) diameter section of the inner cord accessibility probe can be inserted into any opening then the cords are considered accessible and must be tested to Appendix D: Hazardous Loop Test Procedure 	<p>Not Eligible</p> <p>Comments: Inner cords are accessible.</p>
<p>Cord Shroud Accessibility Test with Cord Shroud Accessibility Probe</p> <ul style="list-style-type: none"> • If the cord shroud accessibility probe cannot be inserted between the cord shroud and inner lift cord(s) without intricate manipulation, the cords will be tested as an assembly in accordance with Appendix D: Hazardous Loop Test Procedure. • If the cord shroud accessibility probe can be inserted between the cord shroud and inner lift cord(s) without intricate manipulation, both are deemed accessible and will be tested individually in accordance with Appendix D: Hazardous Loop Test Procedure. 	<p>N/A</p>

Intertek Consumer Goods

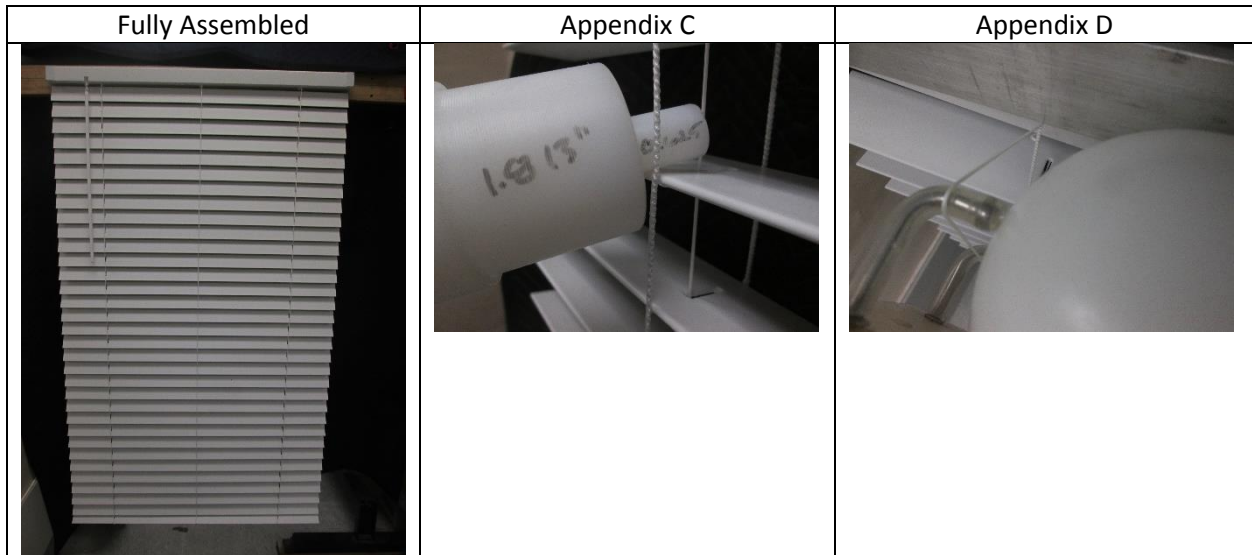
545 E Algonquin Road, Suite F

Arlington Heights, Illinois 60005

Telephone: 847-871-1020 Fax: 847-439-6156

Requirement / Limit	Comments / Rating
<p>Hazardous Loop Test – Appendix D</p> <ul style="list-style-type: none"> • If the head probe cannot pass through the loop under the test conditions, the opening is not a hazardous loop. • If the head probe can pass through the loop under the test conditions, the loop is considered a hazardous loop. 	<p>Eligible</p> <p>Comments: Hazardous loop not created.</p>

Conclusion: Eligible



Report includes non-accredited test results. The test(s) marked with a carat (^) are not covered by our current ISO/IEC 17025:2017 scope of accreditation.

The test results stated in this report relate only to the item(s) tested. This test report may not be reproduced except in full, without written approval of Intertek.

.....
*If you need assistance in interpreting these results or if you have any questions,
please feel free to call Customer Service Department*

This report is made solely on the basis of your instructions and/or information and materials supplied by you. It is not intended to be a recommendation for any particular course of action. Intertek does not accept a duty of care or any other responsibility to any person other than the Client in respect of this report and only accepts liability to the Client insofar as is expressly contained in the terms and conditions governing Intertek's provision of services to you. Intertek makes no warranties or representations either express or implied with respect to this report save as provided for in those terms and conditions. We have aimed to conduct the Review on a diligent and careful basis and we do not accept any liability to you for any loss arising out of or in connection with this report, in contract, tort, by statute or otherwise, except in the event of our gross negligence or willful misconduct.

Intertek Consumer Goods

545 E Algonquin Road, Suite F
Arlington Heights, Illinois 60005
Telephone: 847-871-1020 Fax: 847-439-6156



Division #13

Division 13.150

Swimming Pools



Division #14



Division 14.200

Elevators



Schindler

Schindler Elevator Corporation
Traction Elevator Specification Summary
Bank AA - Elevator #1

Table with 2 columns: Property and Value. Includes sections: Main Data, Cab. Properties include Product (Schindler 3300), Application (3300 MRL), Capacity (3500 Lbs), Speed (150 FPM), etc.

Table with 2 columns: Property and Value. Includes sections: Entrances, Fixtures, Options and Miscellaneous. Properties include Entrance Doors (4) 441 #4 Stainless Steel, Car Fixture Type (Standard), New Product Service (12 Months), etc.



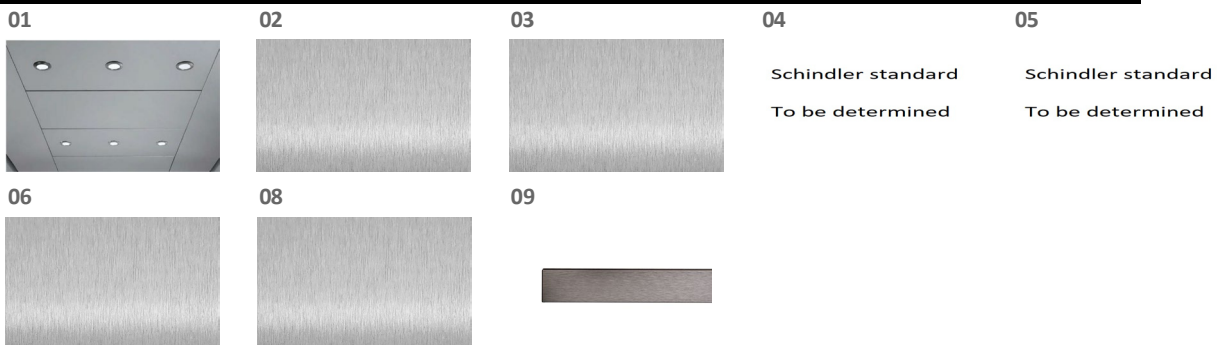
Schindler

Bank AA - Elevator #1

Decoration Selection

07

	01 Ceiling Type	LED Down Light - Round Spots
	02 Ceiling Finish	441 #4 Stainless Steel
	03 Car Door	441 #4 Stainless Steel
	04 Side Wall	Laminate - type to be defined
	05 Rear Wall	Laminate - type to be defined
	06 Skirting	Skirting Flush Aluminum
	07 Fixtures	Standard 301 #4 Stainless Steel
	08 Landing Door	(4) 441 #4 Stainless Steel
	09 Handrail	Straight Rectangular Brushed Aluminum Rear





Division #15



Division 15.300

Fire Protection

Division 15.400

Plumbing



Single Handle Pull-Down Kitchen Faucet

- Lever Handle
- Pull-Down Head with 2 Spray Patterns With Quick Connect Spray Head Hose
- 7-9/16" Reach, 8-3/4" From Deck to Aerator
- Ceramic Disc Cartridge
- Magnetic Docking Uses a Powerful Magnet to Snap Kitchen Spray Head Into Place so It Stays Docked and Doesn't Droop Over Time
- 1 or 3-Hole 8" Installation, Deck Cover Plate

- Included
- Easy-Install 30" Flex Supply Lines With 3/8" Connections
 - With 1.5 GPM Flow Rate

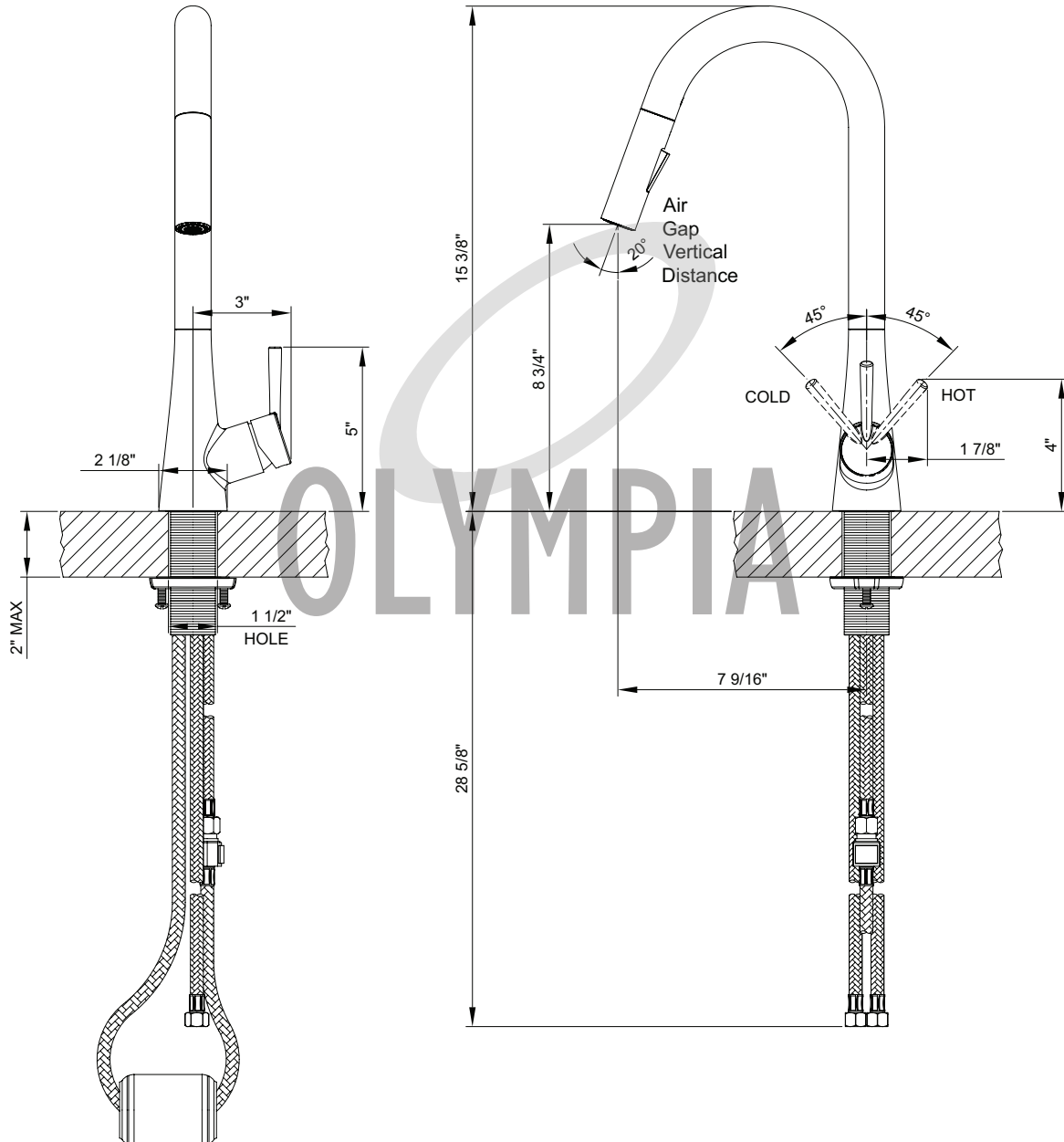
Code and Standards

- ASME A112.18.1-2018/CSA B125.1-18
- Cal Green
- NSF/ANSI/CAN 61
- Compliance with AB1953/S152/HB372
- NSF/ANSI 372
- ADA: Compliance to ICC/ANSI A117.1 (Lever Handle Only)



*For other finishes and flow rates offered, please visit our website, email an inquiry to sales@pioneerind.com or contact our sales at 800-338-9468

No Soap Dispenser. Model on Finish Schedule showed Soap Dispenser.





Olympia Faucets
VALUE FOR BUILDERS

BRUSHED NICKEL

SPECIFICATION SHEET

L-7420
i2v Series



Two Handle Lavatory Widespread Faucet

- Lever Handles
- Rigid Gooseneck Spout
- 4" Reach, 5" From Deck to Aerator
- Ceramic Disc Cartridges
- 3-Hole 4" to 16" Installation
- 50/50 Pop-Up Drain Assembly
- With 1.2 GPM Flow Rate
- Easy-install mounting nut

Finish Options:
Chrome-Default
Brushed Nickel-BN
Matte Black-MB
Brushed Gold-BG

Code and Standards

ASME A112.18.1-2018/CSA B125.1-18

Cal Green

NSF/ANSI/CAN 61

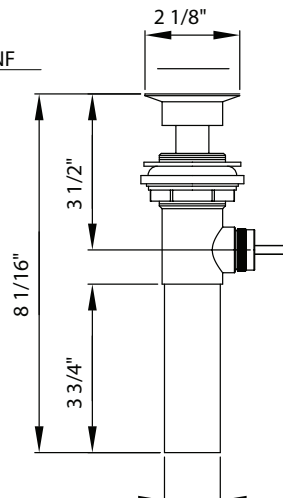
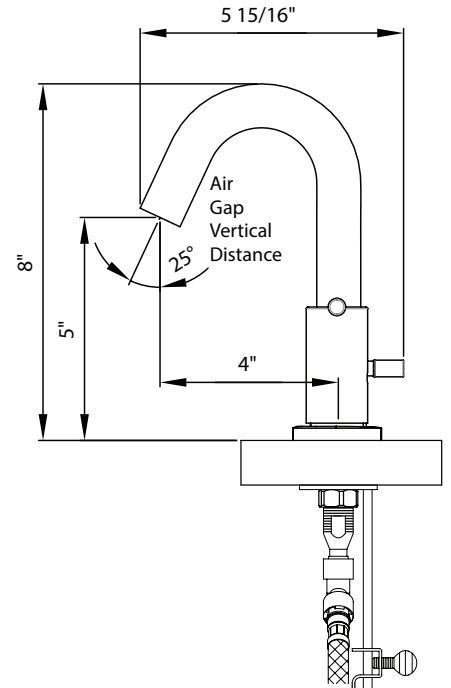
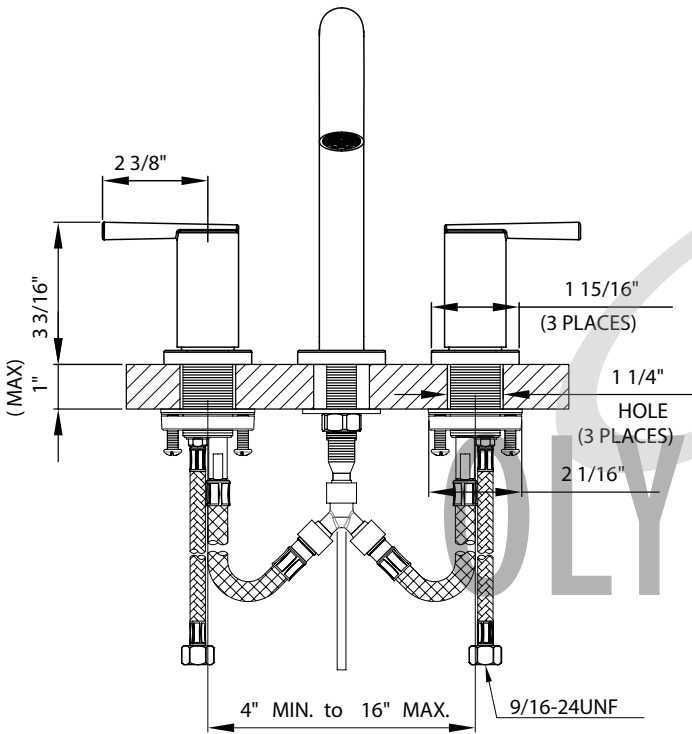
Compliance with AB1953/S152/HB372

NSF/ANSI 372

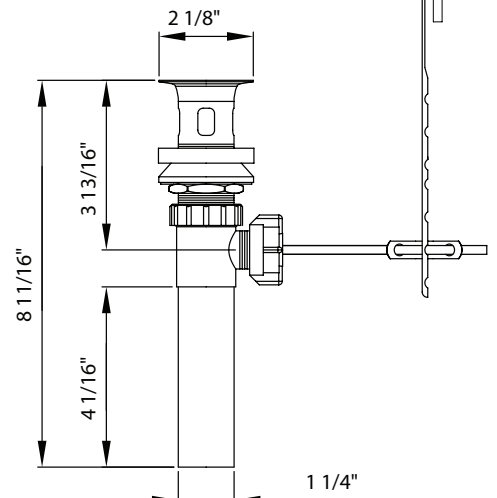
ADA: Compliance to ICC/ANSI A117.1 (Lever Handle Only)



*For other finishes and flow rates offered, please visit our website, email an inquiry to sales@pioneerind.com or contact our sales at 800-338-9468



Brass Pop-Up Drain



50/50 Pop-Up Drain



Olympia Faucets
VALUE FOR BUILDERS

BRUSHED NICKEL

SPECIFICATION SHEET

T-2394
i3 Series



Single Handle Tub/Shower Trim Set

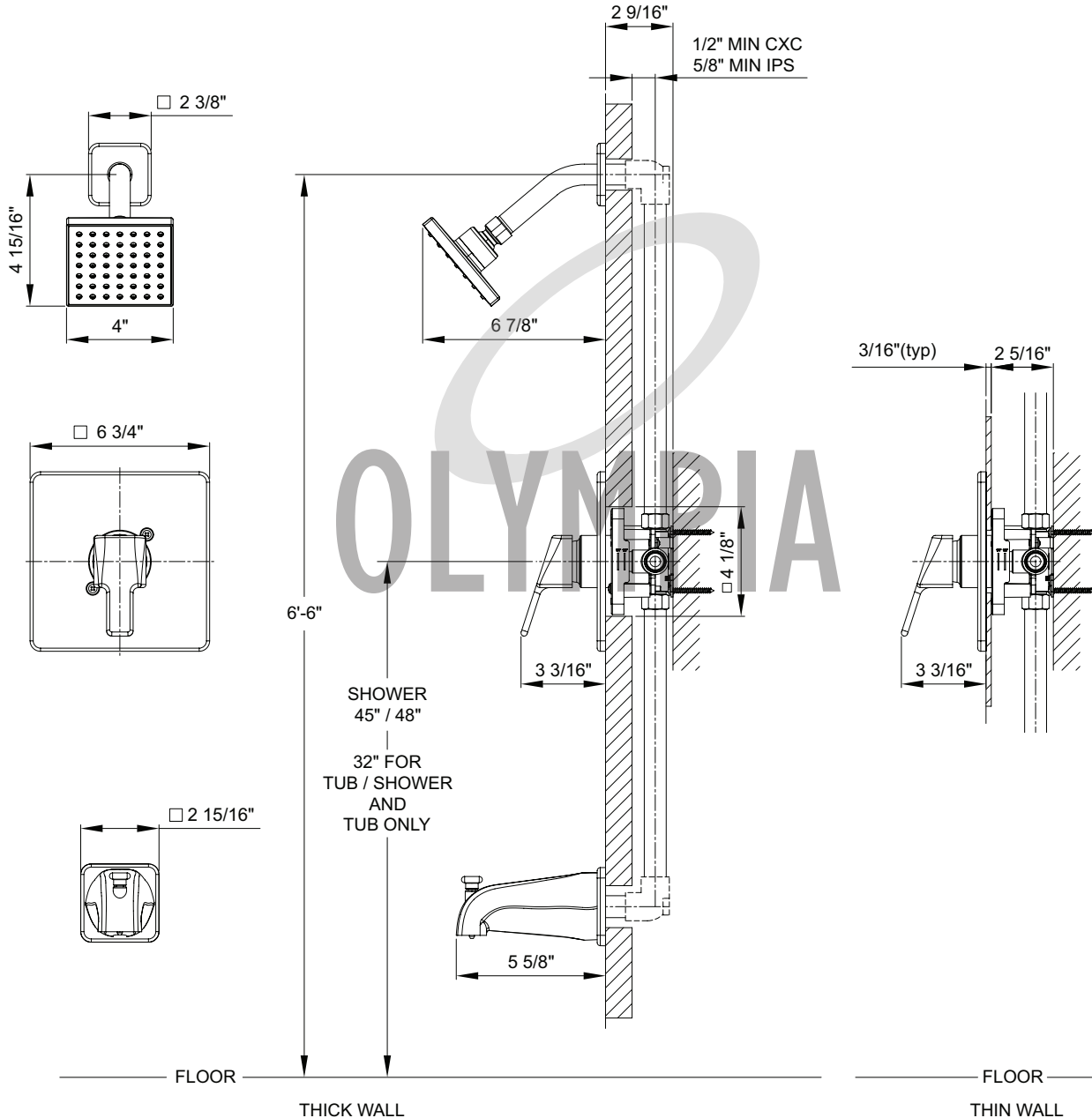
- Lever Handle, Face Plate
- Ceramic Disc Cartridge with Temperature Limit Cap
- Single Function 4" Square Showerhead, Arm & Flange
- Combo 1/2" IPS/Slip-On Diverter Tub Spout with Escutcheon
- With 1.75 GPM Flow Rate
- For Use with V-2300B Or V-2400B Series Valves - Valve not included

Code and Standards

- ASME A112.18.1-2018/CSA B125.1-18
- Cal Green
- EPA Watersense
- ADA: Compliance to ICC/ANSI A117.1 (Lever Handle Only)



*For other finishes and flow rates offered, please visit our website, email an inquiry to sales@pioneerind.com or contact our sales at 800-338-9468



Division 15.700

HVAC



Division #16



Division 16.200

Electrical, Fire Alarm, & Light Fixtures



FARMHOUSE AT EAST ARGENT

DATA SHEETS

UNIT SCHEDULE

D

P

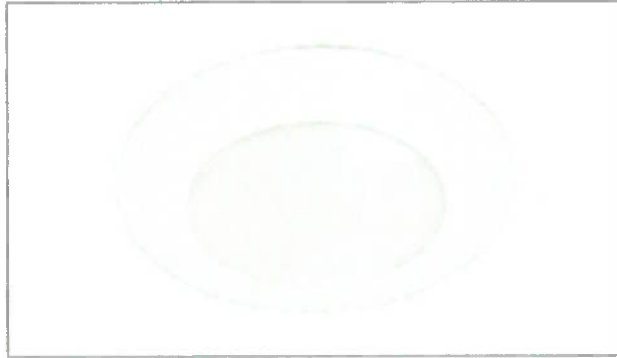
F

VB

PLEASE SPECIFY CCT

W

Project		Catalog #		Type	
Prepared by		Notes		Date	



HALO

HLCE Disk Light Bulk Packs

This LED Disk Light is a low profile design that mounts directly to the ceiling or junction box with a stylish look. Phase cut dimming down to 10%¹⁾

Typical Applications

Residential · Multifamily · Hospitality

Interactive Menu

- Order Information page 2
- Product Specifications page 3
- Photometric Data page 4
- Product Warranty
- Dimming Guide



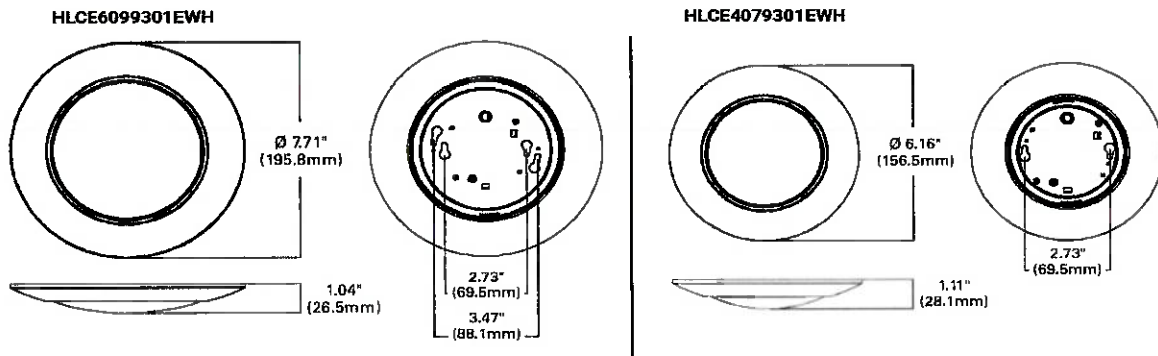
Refer to ENERGY STAR® Certified Products List
Can be used to comply with California Title 24 High Efficacy requirements.
Certified to California Appliance Efficiency Database under JAB.



Top Product Features

- Dedicated 3000K, 4000K, 5000K; 90 CRI minimum
- Below the ceiling installation, no clips or plates needed
- Installs in most 3-1/2" and 4" standard and pancake junction boxes (see [Compatible Junction Boxes](#))
- Dimmable down to 10%
- Damp Location Listed

Dimensional and Mounting Details



¹ Review the product's Dimming Guide for approved compatible dimmers.
² T24 and RoHS are self-tested by Cooper Lighting Solutions. Not a third party certification.



HALO **HLCE Disk Light**

Order Information

4" Disk Light

Catalog Number	Description	Lumens (lm)	CCT	CRI	Driver	Pack Size	Compliance
HLCE4079301EWH-12P	4" Disk Light	800	3000K	90 CRI	120V, 60Hz, LE & TE Phase Out 10% dimming	12 Pack	
HLCE4079401EWH-12P	4" Disk Light	800	4000K	90 CRI	120V, 60Hz, LE & TE Phase Out 10% dimming	12 Pack	
HLCE4079501EWH-12P	4" Disk Light	800	5000K	90 CRI	120V, 60Hz, LE & TE Phase Out 10% dimming	12 Pack	
HLCE4079301EWH-18P	4" Disk Light	800	3000K	90 CRI	120V, 60Hz, LE & TE Phase Out 10% dimming	18 Pack	
HLCE4079401EWH-18P	4" Disk Light	800	4000K	90 CRI	120V, 60Hz, LE & TE Phase Out 10% dimming	18 Pack	
HLCE4079501EWH-18P	4" Disk Light	800	5000K	90 CRI	120V, 60Hz, LE & TE Phase Out 10% dimming	18 Pack	
HLCE407930-12P-CA	4" Disk Light	800	3000K	90 CRI	120V, 60Hz, LE & TE Phase Out 10% dimming	12 Pack	California SKU
HLCE407940-12P-CA	4" Disk Light	800	4000K	90 CRI	120V, 60Hz, LE & TE Phase Out 10% dimming	12 Pack	California SKU
HLCE407930-18P-CA	4" Disk Light	800	3000K	90 CRI	120V, 60Hz, LE & TE Phase Out 10% dimming	18 Pack	California SKU
HLCE407940-18P-CA	4" Disk Light	800	4000K	90 CRI	120V, 60Hz, LE & TE Phase Out 10% dimming	18 Pack	California SKU

6" Disk Light

HLCE6099301EWH-12P	6" Disk Light	940	3000K	90 CRI	120V, 60Hz, LE & TE Phase Out 10% dimming	12 Pack	
HLCE6099401EWH-12P	6" Disk Light	1000	4000K	90 CRI	120V, 60Hz, LE & TE Phase Out 10% dimming	12 Pack	
HLCE6099501EWH-12P	6" Disk Light	1000	5000K	90 CRI	120V, 60Hz, LE & TE Phase Out 10% dimming	12 Pack	
HLCE6099301EWH-18P	6" Disk Light	940	3000K	90 CRI	120V, 60Hz, LE & TE Phase Out 10% dimming	18 Pack	
HLCE6099401EWH-18P	6" Disk Light	1000	4000K	90 CRI	120V, 60Hz, LE & TE Phase Out 10% dimming	18 Pack	
HLCE6099501EWH-18P	6" Disk Light	1000	5000K	90 CRI	120V, 60Hz, LE & TE Phase Out 10% dimming	18 Pack	
HLCE609930-12P-CA	6" Disk Light	940	3000K	90 CRI	120V, 60Hz, LE & TE Phase Out 10% dimming	12 Pack	California SKU
HLCE609940-12P-CA	6" Disk Light	1000	4000K	90 CRI	120V, 60Hz, LE & TE Phase Out 10% dimming	12 Pack	California SKU
HLCE609930-18P-CA	6" Disk Light	940	3000K	90 CRI	120V, 60Hz, LE & TE Phase Out 10% dimming	18 Pack	California SKU
HLCE609940-18P-CA	6" Disk Light	1000	4000K	90 CRI	120V, 60Hz, LE & TE Phase Out 10% dimming	18 Pack	California SKU

NOTE: California SKU not available for 5000K

Compatible Junction Boxes (3)(4)

4" octagon light fixture/fan steel box
4" x 4" x 2-1/8"
(102mm x 102mm x 54mm)

4" octagon steel box
4" x 4" x 1-1/2"
(102mm x 102mm x 38mm)

4" round new work non-metallic light fixture/fan box
4" diameter x 2-3/16"
(102mm x 56mm)

3-1/2" round new work non-metallic ceiling box
3-1/2" diameter x 2-3/4"
(89mm x 70mm)

3-1/2" round old work non-metallic box
4-1/4" O.D. flange, 3-1/2" I.D. x 2-5/8"
(108mm O.D., 89mm I.D. x 67mm)

4" round surface mount box
4" diameter x 1-1/2"
(102mm x 38mm)

TP316 for non-metallic cable
4" x 4" x 2-1/8"
(102mm x 102mm x 54mm)

TP317 for metal clad cable
4" x 4" x 2-1/8"
(102mm x 102mm x 54mm)

Round ceiling pan
4" diameter x 13/16"
(102mm x 21mm)

4" round new work non-metallic box with hanger bar assembly
4" diameter x 2-3/16" (102mm x 56mm)

Cat #: JB4FR2
4" NC JBox for Fire Rated Ceilings
4" diameter x 5-1/2"
(102mm x 140mm)

3 This is a representative list of compatible junction boxes only. Information contained in this literature about other manufacturers' products is from published information made available by the manufacturer and is deemed to be reliable, but has not been verified. Cooper Lighting Solutions makes no specific recommendation on product selection and there are no warranties of performance or compatibility implied. Installer must determine that site conditions are suitable to allow proper installation of the mounting bracket in the box.

4 4" HLCE only mounts to junction boxes that include mounting screws that are 2.73" apart. Please verify prior to purchasing junction boxes.

HALO **HLCE Disk Light**

Housing – Compatibility

The non-California HLCE Series LED Disc Light is UL Certified for use with the following recessed housings.

HLCE4 & HLCE6	<p>4" Housings E4TATSB = 4" non-IC, airtight shallow new construction housing, adjustable socket bracket, E26, 120V E4RTATSB = 4" non-IC, airtight shallow remodeler housing, adjustable socket bracket, E26, 120V E4ICATSB = 4" non-IC, airtight shallow new construction housing, adjustable socket bracket, E26, 120V</p>
HLCE4 & HLCE6	<p>5" Housings H25ICAT = 5" IC, airtight shallow new construction housing H5RCAT = 5" Insulated Ceiling, Air-Tite New Construction Housing H5RICAT = 5" IC, airtight remodel housing, E26 medium base, 120V E5ICAT = 5" IC, airtight new construction housing, E26 medium base, 120V E5RICAT = 5" IC, airtight remodeler housing, E26 medium base, 120V</p>
HLCE6	<p>6" Housings H27ICAT = 6" IC, airtight shallow new construction housing H27RCAT = 6" IC, airtight shallow remodel housing E27ICAT = 6" IC, airtight shallow new construction housing E27RCAT = 6" IC, airtight shallow remodel housing E27TAT = 6" non-IC, airtight shallow new construction housing E27RTAT = 6" non-IC, airtight shallow remodel housing H7ICAT = 6" IC, airtight new construction housing, E26 medium base, 120V H7RCAT = 6" IC, airtight remodel housing, E26 medium base, 120V E7ICAT = 6" IC, airtight new construction housing, E26 medium base, 120V E7RCAT = 6" IC, airtight remodeler housing, E26 medium base, 120V E7TAT = 6" non-IC, airtight new construction housing, E26 medium base, 120V E7RTAT = 6" non-IC, airtight remodeler housing, E26 medium base, 120V</p>

Product Specifications

Construction

- Stamped steel

Optics

- Precision engineered optic provides uniform luminance from a low-profile convex lens
- Removable lens for easy install from below installation

LED

- Back lit LED technology
- Color Temperature: Available only in dedicated 3000K, 4000K, 5000K CCT
- Color Quality: 90 CRI minimum
- Color Accuracy within 6 SDCM at the CCT endpoints, provide color accuracy and uniformity
- Expected Life: L70 at 50,000 hours projected in accordance with TM-21

Driver

- Integral 120V 60 Hz constant current driver provides noise free operation
- Continuous, flicker-free dimming from 100% to 10% (See Dimming Guide for compatible dimmers)

Dimming

- Continuous, flicker-free dimming from 100-10% with 120V phase cut Leading Edge (LE) and Trailing Edge (TE) dimmers
TIPS: For optimal dimming performance, consider dimmers with low-end trim adjustment and note that some dimmers require a neutral wire in the wallbox. (See the [HLCE Dimming Guide](#) and then consult dimmer manufacturer for compatibility and conditions of use)

Electrical Junction Box Mounting

- HLCE fixtures may be used in compatible electrical junction boxes in direct contact with insulation including spray foam insulation
- Installs from below the ceiling
- Suitable for installation in most 3-1/2" and 4" octagon and round electrical junction boxes
- Compatible with compact (pancake) junction boxes
- Installer must ensure compatibility of fit, wiring and proper mounting in the electrical junction box. This includes all applicable national and local electrical and building coded NEMA LSD 57-2013

Recessed Housing Mounting

- Extension Springs for 5" and 6" housings included in the box
- Not for use in recessed housings in direct contact with spray foam insulation refer to NEMA LSD 57-2013
- Compatible with Halo 5" and 6" housings

Electrical Power Connections

- Wire nuts provided for mains connections
- The included E26 medium screw-base Edison adapter provides easy retrofit of incandescent housings (non-California product only).

Compliance

- cULus certified for US and Canada
- Lamp location listed
- Airtight per ASTM-E283 (no gasket necessary)
- Suitable for use in clothes closets when installed in accordance with the NEC 410.16 spacing requirements
- EMI/RFI emissions per FCC 47CFR Part 15 consumer limits
- Contains no mercury or lead and RoHS compliant
- Photometric testing in accordance with IES LM-79-08
- Lumen maintenance projections in accordance with IES LM-80-08 and TM-21-11
- ENERGY STAR® certified, reference Certified Light Fixtures database
- Certified to State of California Title 20, State-regulated LED Lamp; reference Modernized Appliance Efficiency Database System (MAEDBS) for State-regulated LED Lamp
- Can be used for State of California Title 24 high efficacy LED compliance under JAB , reference Modernized Appliance Efficiency Database System (MAEDBS) for 2019 JAB High Efficacy Lighting

Warranty

- Five year limited warranty, consult website for details www.cooperlighting.com/warranty

HALO **HLCE Disk Light**

Energy Data

HLCE4079301EWH

Lumens	803
Input Voltage (VAC)	120
Input Current (A)	0.091
Efficiency (LpW)	78
Inrush Current (A)	0.81
Inrush Duration (ms)	72
THD (%)	45
PF	≥ 0.90
T Ambient	25°C
Sound Rating	≤ 20dBA

HLCE6099301EWH

Lumens	968
Input Voltage (VAC)	120
Input Current (A)	0.119
Efficiency (LpW)	74
Inrush Current (A)	0.912
Inrush Duration (ms)	75
THD (%)	45
PF	≥ 0.90
T Ambient	25°C
Sound Rating	≤ 20dBA

Catalog Number	CCT	Watts	lumens	LPW	CRI
HLCE4	3000K	10.5	805	76.7	93
	4000K	10.3	810	78	97
	5000K	10.4	819	79	97
HLCE6	3000K	13.5	945	70	93
	4000K	13.2	990	75	97
	5000K	13.1	985	75	97

Photometric Data

HLCE4079301EWH-3000K
 Spacing criterion:
 (0-180) 1.28 | (90-270) 1.28 |
 (Diagonal) 1.38
 Beam Angle: 112.7°
 Field Angle: 170.3°
 Lumens: 802
 Input Watts: 10 W
 Efficacy: 77 LPW
 UGR: 27.7
 Test Report: A2308131A001

Zonal Lumen	Lumens	% Lumens
0-30	207.3	26
0-40	339.4	42
0-60	601.3	75
0-90	789.9	98

TM-30-15	Rf = 91 Rg = 105
CRI/CIE	Ra = 94.7 R9 = 87.4

112°

HLCE6099301EWH-3000K
 Spacing criterion:
 (0-180) 1.28 | (90-270) 1.26 |
 (Diagonal) 1.38
 Beam Angle: 111.4°
 Field Angle: 165.5°
 Lumens: 955
 Input Watts: 13 W
 Efficacy: 73 LPW
 UGR: 25.2
 Test Report: A2308131A001

Zonal Lumen	Lumens	% Lumens
0-30	252.2	26
0-40	412	43
0-60	726.6	76
0-90	955.1	98

TM-30-15	Rf = 91 Rg = 105
CRI/CIE	Ra = 94.3 R9 = 88.8

112°



Cooper Lighting Solutions
 1121 Highway 74 South
 Peachtree City, GA 30269
 P: 770-485-4900
 www.cooperlighting.com

© 2025 Cooper Lighting Solutions
 All Rights Reserved
 Specifications and dimensions
 subject to change without notice

Job Name: FARMHOUSE AT EAST ARGENT - SUBMITTAL BOM
Manufacturer: VCBS
Model Number: GLP1041BS

Type:
P

VISUAL COMFORT & CO.

GLP1041BS: One Light Mini-Pendant



Collection: Miles
UPC #: 785652149252
Finish: Brushed Nickel (BN)

Dimensions:

Diameter: 4.5" **Wire:** 120" (color: Clear Silver)
Width: 4.5" **Mounting Proc.:** Screw Collar - Stem
Height: 6.25" **Connection:** Mounted To Box

Bulbs:

1 - Medium A19 60.0w Max. 120v Not included

Features:

- This product may be mounted on a sloped ceiling
- Clear bulb(s) recommended for this fixture
- Easily converts to LED with optional replacement lamps
- Meets Title 24 energy efficiency standards
- Title 24 compliant if used with Joint Appendix (JA8) approved light bulbs listed in the California Energy Commission Appliance database.

Material List:

1 Body - Steel - Brushed Nickel
 3 12" Stem - Steel - Brushed Nickel
 1 6" Stem - Steel - Brushed Nickel

Safety Listing:

Safety Listed for Damp Locations

Shade / Glass / Diffuser Details:

Part	Material	Finish	Quantity	Item Number	Length	Width	Height	Diameter	Fitter Diameter	Shade Top Length	Shade Top Width	Shade Top Diameter
Shade	Glass	Clear	1				5.75	4.5				

Backplate / Canopy Details:

Type	Height / Length	Width	Depth	Diameter	Outlet Box Up	Outlet Box Down
Canopy	0.88			5.0		

Shipping Information:

Package Type	Product #	Quantity	UPC	Length	Width	Height	Cube	Weight	Fr. Class	UPS Ship
Individual	GLP1041BS	1	785652149252	13.39	6.5	8.07	0.41	3.5	0	Yes
Master Pack	GLP1041BS	0	10785652148258							No

Visual Comfort & Co reserves the right to revise the design of components of any product due to parts availability or change in safety listing standards without assuming any obligation or liability to modify any products previously manufactured and without notice. This literature depicts a product design that is the sole and exclusive property of Visual Comfort & Co. In compliance with U S copyright and patent requirements, notification is hereby presented in this form that this literature, or the product it depicts, is not to be copied, altered or used in any manner without the express written consent of, or contrary to the best interests of Visual Comfort & Co

VISUAL COMFORT & Co.

5DIC52PND-V1: Discus Classic 52 LED Ceiling Fan in Polished Nickel with Silver / American Walnut Reversible Blades and Light Kit



Dimensions:

- Diameter:** 52"
- Weight:** 17.4 lbs.
- Number Of Speeds:** 3
- Reverse Switch:** Manual
- Rev. Switch Location:** Top of Housing
- Motor Size:** 153 X 18
- Diameter of Housing:** 11.1
- Uplight Included:** No
- Light Kit Included:** Yes
- Remote Included:** None
- Remote Group(s):**

Bulbs:

1 - LED Integrated Array 20.0w Max. 120v included

Features:

- This product may be mounted on a sloped ceiling
- This product is dimmable.
- This fan comes with a light kit.
- Dual finished blades included
- Flush mount hardware is included
- This advanced LED technology is carefully designed and selected to consist of the highest quality LED chipsets for superior performance and reliability.
- Fixture is operated with a pull chain
- This product complies with TSCA Title VI
- Integrated LED fixtures that meet the high efficacy LED standards set forth in Title 24 and are listed in the California Energy Commission Appliance database.

Collection: Discus Classic 52 LED

AC Motor

Finishing cap (blinking plate) sold separately - MC360BS

Compatible with MC93PN slope ceiling canopy kit.

20W LED Light Kit, 3000K, 1060 Lumens, 90+ CRI

UPC #:014817591149

Finish: Polished Nickel (PN)

Blade Finish: Silver/American Walnut reversible blades

Blade Finish 2: Undefined

Material List:

- 1 Body - Steel - Polished Nickel
- 5 Blade - Plywood - Silver/American Walnut reversible blades

Safety Listing:

Safety Listed for Dry Locations

Instruction Sheets:

- English (5DIC52XXD-V1-CUL-ENG)
- French (5DIC52XXD-V1-CUL-CF)

Shade / Glass / Diffuser Details:

Part	Material	Finish	Quantity	Item Number	Length	Width	Height	Diameter	Fitter Diameter	Shade Top Length	Shade Top Width	Shade Top Diameter
Shade	Glass	Matte Opal	1				3.12	9.0				

Backplate / Canopy Details:

Type	Height / Length	Width	Depth	Diameter	Outlet Box Up	Outlet Box Down
Canopy	2.25			5.12		

Blade Details:

Blade Group	Diameter	Included	RPM HI	CFM HI	Watts HI	Amps HI	RPM Med	CFM Med	Watts Med	Amps Med	RPM Low	CFM Low	Watts Low	Amps Low
	52	Yes	158.0	4758.0	65.1	0.54					62.0	1892.0	13.7	0.25
	52	Yes	158.0	4758.0	65.1	0.54					62.0	1892.0	13.7	0.25
	52	No	153.0	3217.0	65.1	0.54					62.0	971.0	13.7	0.25
	52	No	153.0	3217.0	65.1	0.54					62.0	971.0	13.7	0.25

Visual Comfort & Co. reserves the right to revise the design of components of any product due to parts availability or change in safety listing standards without assuming any obligation or liability to modify any products previously manufactured and without notice. This literature depicts a product design that is the sole and exclusive property of Visual Comfort & Co.. In compliance with U.S copyright and patent requirements, notification is hereby presented in this form that this literature, or the product it depicts, is not to be copied, altered or used in any manner without the express written consent of, or contrary to the best interests of Visual Comfort & Co.

Mounting Options:

Mounting Type	Included	Item	Downrod Length	Downrod Diameter	Overall Height	Blade to Ceiling	Min. Ceiling Height	Canopy Style	Canopy Diameter
Downrod (Included)	Yes		4.5	0.5	15.1	10.6	7.88	Dual Mount	5.1
Flush (Included)	Yes				11.4	7.0	7.58	Dual Mount	5.1

Shipping Information:

Package Type	Product #	Quantity	UPC	Length	Width	Height	Cube	Weight	Frts. Class	UPS Ship
Individual	5DI52BSD	1	014817591149	23.5	13.25	8.75	1.58	21.9	0	Yes
Master Pack	5DIC52PND-V1	0	10014817591146							No
NJ Pallet		48		48.0	40.0	73.5	81.67	1051.2		No
NV Pallet		40		48.0	40.0	73.5	81.67	840.0		No

Visual Comfort & Co. reserves the right to revise the design of components of any product due to parts availability or change in safety listing standards without assuming any obligation or liability to modify any products previously manufactured and without notice. This literature depicts a product design that is the sole and exclusive property of Visual Comfort & Co. In compliance with U.S. copyright and patent requirements, notification is hereby presented in this form that this literature, or the product it depicts, is not to be copied, altered or used in any manner without the express written consent of, or contrary to the best interests of Visual Comfort & Co.

INVECTA BFP LED 36"

Architectural Indoor



PROJECT:	
TYPE:	
PO#:	QTY:
COMMENTS:	

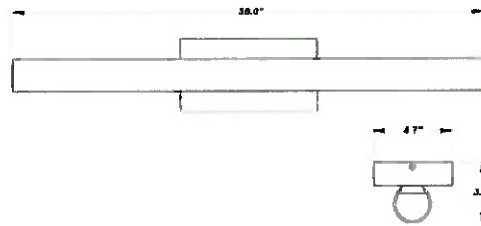
FEATURES

- Steel Housing w/ Brushed Nickel Powder Coated Finish
- White Acrylic Diffuser
- ETL/cETL Listed Dry Location
- Energy Star
- Mounts Directly to Surface w/ Two Wall Anchors
- Mounting Hardware Included
- Dry Location For Surface Mount
- LED Light Fixture



LINE DRAWING

LINE DRAWING NOT TO SCALE



FINISHES

Brushed Nickel



TERONLIGHTING.COM
 33 DONALD DR, FAIRFIELD, OH 45014
 P: 513.858.6004 F: 513.858.6038
 E: SALES@TERONLIGHT.COM

SEND CUT-SHEET

We reserve the right to revise the design components of any product due to parts availability or change in UL standards, without assuming any obligation or liability to modify any products previously manufactured, and without notice. 1

INVECTA BFP LED 36"

Architectural Indoor



Fixture Core

PROJECT: _____
 TYPE: _____
 PO#: _____ QTY: _____
 COMMENTS: _____

PRODUCT CODE	SOURCE/WATTAGE	VOLTAGE	DIMMING DRIVER
INV36 - Invecta 36"	L23.0-700 - (1) 23W @ 700mA	120V 120V - 277V	Not Applicable
ORDER INFO			

PLEASE SPECIFY CCT

Aesthetics & Options

TRIM	FINISH	COLOR TEMP	OPTIONS
Not Applicable	BN - Brushed Nickel (Standard)	30K - 3000K Color Temp. 40K - 4000K Color Temp.	Not Applicable MCT
ORDER INFO			

PROD	SOURCE	30K SPECS				
INV36	L23	<ul style="list-style-type: none"> 30K - 3000K Color Temp 2111 LED Delivered Lumens 92.2 LED Delivered Lumens Per Watt 				

REPLACEMENT PART	PART NO	NOTES
		L70 >35,000 hrs Minimum Starting Temperature = 20 Degrees C

TERONLIGHTING.COM
 33 DONALD DR, FAIRFIELD, OH 45014
 P: 513.858.6004 F: 513.858.6038
 E: SALES@TERONLIGHT.COM

SEND CUT-SHEET

We reserve the right to revise the design components of any product due to parts availability or change in UL standards, without assuming any obligation or liability to modify any products previously manufactured, and without notice. 2

Project		Catalog #		Type	
Prepared by		Notes		Date	



Lumark Crosstour Series

Wall Mount Luminaire

Product Certifications & Features



Interactive Menu

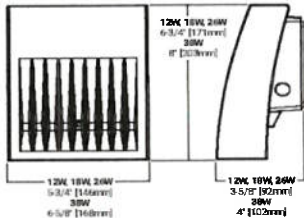
- Ordering Information [page 2](#)
- Product Specifications [page 2](#)
- Energy and Performance Data [page 3](#)

Quick Facts

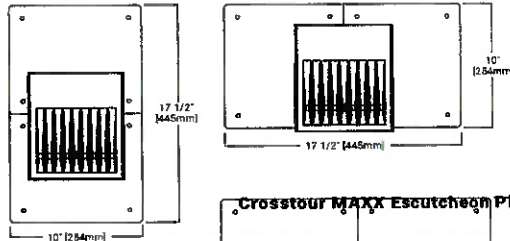
- Available in 12W, 18W, 26, & 38W (900 - 3,100 lumens) models
- Available in 5000K or 4000K (CCT)
- Wall, inverted or pole mount
- Energy and maintenance savings up to 95% compared to HID
- Energy efficient illumination results in up to 177LPW
- Replaces 70W up to 450W HID equivalents
- Optional floodlighting kit converts from wall to floodlight, and pole mount

Dimensional Details

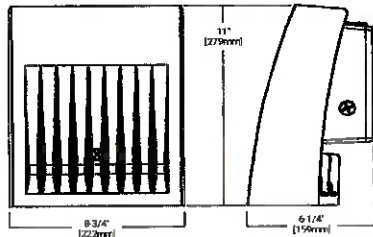
Crosstour Full Cut-off



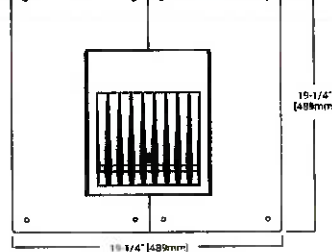
Crosstour Escutcheon Plates



Crosstour MAXX Full Cut-off



Crosstour MAXX Escutcheon Plate



Manufacturer : LUMO

Model Number : XTOR1B

Lumark **Crosstour Series**

Ordering Information

SAMPLE NUMBER: XTOR2B-W-WT-PC1

Domestic Preferences	Series 1	LED Kelvin Color	Housing Color	Options (Add as Suffix)	Accessories (Order Separately)
[Blank]=Standard BAA=Buy American Act 7 TAA=Trade Agreements Act 7 BABA=Build America Buy America Act 8	XTOR1B-Small Door, 2W XTOR2B-Small Door, 18W XTOR3B-Small Door, 26W XTOR4B-Medium Door, 38W	[Blank]=Bright White (Standard), 5000K W-Neutral White, 4000K Y-Warm White, 3000K	[Blank]=Carbon Bronze (Standard) WT-Summit White BK-Black BZ-Bronze AP-Grey GM-Graphite Metallic DP-Dark Platinum	PC1=Photocontrol 120V 3 PC2=Photocontrol 208-277V 2,3 347V-347V 4 HA=50°C High Ambient 4 347V-347V 9, 10, 11, 12 480V-480V 2, 10, 11, 12, 13 PC1=Photocontrol 120V 7 PC2=Photocontrol 208-277V 14, 15 PMA= Pole Mount Arm (C Drilling) with Round Adapter 16, 18 MS-L20=Motion Sensor for ON/OFF Operation 19, 20, 21 MS/DIM-L20=Motion Sensor for Dimming Operation 19, 21, 22, 23, 24 CBP=Cold Weather Battery Pack 19, 20, 23, 24 HA=50°C High Ambient 24	XTORFLD-KNC=Knuckle Floodlight Kit 6 XTORFLD-TRN=Trunnion Floodlight Kit 6 XTORFLD-KNC-WT=Knuckle Floodlight Kit, Summit White 6 XTORFLD-TRN-WT=Trunnion Floodlight Kit, Summit White 6 EWP/XTOR=Escutcheon Wall Plate, Carbon Bronze EWP/XTOR-WT=Escutcheon Wall Plate, Summit White WG-XTORMX=Crosstour MAXX Wire Guard PB120V=Field Installed 120V Photocontrol PB277V=Field Installed 208-277V Photocontrol 16 VA1040-XX=Single Tenon Adapter for 3-1/2" O.D. Tenon 25 VA1041-XX=2@180° Tenon Adapter for 3-1/2" O.D. Tenon 25 VA1042-XX=3@120° Tenon Adapter for 3-1/2" O.D. Tenon 25 VA1043-XX=4@90° Tenon Adapter for 3-1/2" O.D. Tenon 25 VA1044-XX=2@90° Tenon Adapter for 3-1/2" O.D. Tenon 25 VA1045-XX=3@90° Tenon Adapter for 3-1/2" O.D. Tenon 25 VA1046-XX=2@120° Tenon Adapter for 3-1/2" O.D. Tenon 25 VA1039-XX=Single Tenon Adapter for 2-3/8" O.D. Tenon 25 VA1034-XX=2@180° Tenon Adapter for 2-3/8" O.D. Tenon 25 VA1035-XX=3@120° Tenon Adapter for 2-3/8" O.D. Tenon 25 VA1036-XX=4@90° Tenon Adapter for 2-3/8" O.D. Tenon 25 VA1037-XX=2@90° Tenon Adapter for 2-3/8" O.D. Tenon 25 VA1038-XX=3@90° Tenon Adapter for 2-3/8" O.D. Tenon 25 VA1039-XX=2@120° Tenon Adapter for 2-3/8" O.D. Tenon 25 EWP/XTORMX=Escutcheon Wall Plate, Carbon Bronze EWP/XTORMX-WT=Escutcheon Wall Plate, Summit White FSIR-100=Wireless Configuration Tool for Occupancy Sensor 14
<p>NOTES:</p> <ol style="list-style-type: none"> DesignLights Consortium® Qualified and classified for both DLC Standard and DLC Premium, refer to designlights.org for details. Photocontrols are factory installed. Order PC2 for 347V models. Thru-branch wiring not available with HA option or with 347V. XTOR3B not available with HA and 347V or 120V combination. Wire guard for wall/surface mount. Not for use with floodlight kit accessory. Floodlight kit accessory supplied with knuckle (KNC) or trunnion (TRN) base, small and large top visors and small and large impact shields. Only product configurations with these designated prefixes are built to be compliant with the Buy American Act of 1933 (BAA) or Trade Agreements Act of 1979 (TAA), respectively. Please refer to DOMESTIC PREFERENCES website for more information. Components shipped separately may be separately analyzed under domestic preference requirements. Only product configurations with these prefixes are built to be compliant with the Buy American Act of 1933 (BAA) or the Build America Buy America Act (BABA). BABA is the minimum Government compliance requirement for the Build America Buy America standards which is part of the infrastructure and investment Jobs Act (IIJA). Individual Government Agencies may have more stringent compliance standards. Please refer to the DOMESTIC PREFERENCES website or consult the CLS Domestic Preferences team for more information. Components shipped separately may be separately analyzed under domestic preference requirements. Not available with HA option. Deep back box is standard for 347V, 480V, CBP, PMA, MS-L20 and MS/DIM-L20. Not available with CBP option. Thru-branch wiring not available with HA option or with 347V. Only for use with 480V Wye systems. Per NEC, not for use with ungrounded systems, impedance grounded systems or corner grounded systems (commonly known as Three Phase Three Wire Delta, Three Phase High Leg Delta and Three Phase Corner Grounded Delta systems). Not available with MS-L20 and MS/DIM-L20 options. Use PC2 with 347V or 480V option for photocontrol. Factory wired to 208-277V lead. Customer is responsible for engineering analysis to confirm pole and fixture compatibility for all applications. Refer to our white paper WP513061EN for additional support information. For use in downlight orientation only. Optimal coverage at mounting heights of 9'-20'. 120V thru 277V only. Factory set to 50% power reduction after 15-minutes of inactivity. Dimming driver included. Includes integral photo sensor. The FSIR-100 configuration tool is required to adjust parameters including high and low modes, sensitivity, time delay, cutoff, and more. Consult your lighting representative at Eaton for more information. 120V or 277V operation only. Operating temperatures -20°C to 25°C. Not available in XTOR120 or XTOR12BRL models. Replace XX with housing color. 					

Crosstour Stock Ordering Information

12W Series	18W Series	26W Series	38W Series
XTOR1B-12W, 5000K, Carbon Bronze	XTOR2B-18W, 5000K, Carbon Bronze	XTOR3B-26W, 5000K, Carbon Bronze	XTOR4B-38W, 5000K, Carbon Bronze
XTOR1B-WT-12W, 5000K, Summit White	XTOR2B-W-18W, 4000K, Carbon Bronze	XTOR3B-W-26W, 4000K, Carbon Bronze	XTOR4B-W-38W, 4000K, Carbon Bronze
XTOR1B-PC1-12W, 5000K, 120V PC, Carbon Bronze	XTOR2B-WT-18W, 5000K, Summit White	XTOR3B-WT-26W, 5000K, Summit White	XTOR4B-WT-38W, 5000K, Summit White
XTOR1B-W-12W, 4000K, Carbon Bronze	XTOR2B-PC1-18W, 5000K, 120V PC, Carbon Bronze	XTOR3B-PC1-26W, 5000K, 120V PC, Carbon Bronze	XTOR4B-PC1-38W, 5000K, 120V PC, Carbon Bronze
	XTOR2B-W-PC1-18W, 4000K, 120V PC, Carbon Bronze	XTOR3B-W-PC1-26W, 4000K, 120V PC, Carbon Bronze	XTOR4B-W-PC1-38W, 4000K, 120V PC, Carbon Bronze
	XTOR2B-347V-18W, 5000K, Carbon Bronze, 347V	XTOR3B-347V-26W, 5000K, Carbon Bronze, 347V	XTOR4B-347V-38W, 5000K, Carbon Bronze, 347V
	XTOR2B-WT-PC1-18W, 5000K, 120V PC, Summit White	XTOR3B-PC2-26W, 5000K, 208-277V PC, Carbon Bronze	



Lumark **Crosstour Series**

Crosstour MAXX Stock Ordering Information

58W Series	81W Series	102W Series
FULL CUTOFF		
XTOR6B-58W, 5000K, Carbon Bronze	XTOR8B-81W, 5000K, Carbon Bronze	XTOR12B-102W, 5000K, Carbon Bronze
XTOR6B-PC1-58W, 5000K, 120V PC, Carbon Bronze	XTOR8B-PC1-81W, 5000K, 120V PC, Carbon Bronze	
XTOR6B-WT-58W, 5000K, Summit White	XTOR8B-WT-81W, 5000K, Summit White	
XTOR6B-W-58W, 4000K, Carbon Bronze	XTOR8B-PC2-81W, 5000K, 208-277V PC, Carbon Bronze	
XTOR6B-PMA-58W, 5000K, Pole Mount Arm, Carbon Bronze	XTOR8B-PMA-81W, 5000K, Pole Mount Arm, Carbon Bronze	
XTOR6B-PC2-58W, 5000K, 208-277V PC, Carbon Bronze	XTOR8B-347V-81W, 5000K, Carbon Bronze, 347V	
REFRACTIVE LENS		
XTOR6BRL-58W, 5000K, Refractive Lens, Carbon Bronze	XTOR8BRL-81W, 5000K, Refractive Lens, Carbon Bronze	XTOR12BRL-102W, 5000K, Refractive Lens, Carbon Bronze
XTOR6BRL-PC1-58W, 5000K, Refractive Lens, 120V PC, Carbon Bronze	XTOR8BRL-PC1-81W, 5000K, Refractive Lens, 120V PC, Carbon Bronze	XTOR12BRL-W-102W, 4000K, Refractive Lens, Carbon Bronze
XTOR6BRL-WT-58W, 5000K, Refractive Lens, Summit White	XTOR8BRL-WT-81W, 5000K, Refractive Lens, Summit White	XTOR12BRL-347V-102W, 5000K, Refractive Lens, Carbon Bronze, 347V
XTOR6BRL-W-58W, 4000K, Refractive Lens, Carbon Bronze	XTOR8BRL-PC2-81W, 5000K, Refractive Lens, 208-277V PC, Carbon Bronze	
XTOR6BRL-PMA-58W, 5000K, Refractive Lens, Pole Mount Arm, Carbon Bronze	XTOR8BRL-PMA-81W, 5000K, Refractive Lens, Pole Mount Arm, Carbon Bronze	
XTOR6BRL-PC2-58W, 5000K, Refractive Lens, 208-277V PC, Carbon Bronze	XTOR8BRL-W-81W, 4000K, Refractive Lens, Carbon Bronze	
XTOR6BRL-347V-58W, 5000K, Refractive Lens, Carbon Bronze, 347V	XTOR8BRL-347V-81W, 5000K, Refractive Lens, Carbon Bronze, 347V	

Product Specifications

Physical Characteristics

- Die-cast aluminum housing
- External back fin design extracts heat from the surface to thermally optimize design for longer luminaire life
- tool-less electrical connections with the supplied push-in connectors.
- supports both the small and medium forms and mounts to standard 3-1/2" to 4" round and octagonal, 4" square, single gang and masonry junction boxes.

Optics

- Dark Sky Approved (Fixed mount, Full cutoff, and 3000K CCT only)
- Silicone-sealed optical LED chamber
- Impact-resistant tempered glass and meets IESNA requirements for full cutoff compliance
- Available in seven lumen packages; 5000K, 4000K and 3000K CCT

Electrical

- Standard universal voltage (120-277V, 50/60Hz)
- Driver incorporates 6kV surge protection
- -40°C minimum operating temperature
- 40°C maximum operating temperature
- <20% total harmonic distortion

Mounting

- Knuckle, Trunnion, Escutcheon Wall Plate

Finish

- Five-stage super TGIC polyester powder coat paint, 2.5 mil nominal thickness

Typical Applications

- Wall Mount, Bullet Flood, Pole Mount, Exterior wall, Walkway

Compliance

- BAA domestic preference option meets BAA requirements. See [DOMESTIC PREFERENCES](#) website or consult the CLS Domestic Preferences team for more information
- FHWA and FTA agencies are utilizing their BAA rules for BABA compliance. Cooper's products with a BAA designation are manufactured in the US and utilize a BAA COTS exemption rule for compliance. To verify a configured product with specific accessories and options meet BABA Domestic Preference Requirements; submit this catalog number to Cooper Lighting Quotation team for validation by our Engineering and Manufacturing teams. Please refer to the [DOMESTIC PREFERENCES](#) website or consult the CLS Domestic Preferences team for more information. Components shipped separately may be separately analyzed under domestic preference requirements.

Shipping Data

- Small fixture=5 lbs. [2.36 kgs.]
- Small with sensor or CBP=10 lbs. [4.40 kgs.]
- Large fixture=12 lbs. [5.45 kgs.]
- Large with sensor or CBP=17 lbs. [7.73 kgs.]
- Large with sensor & CBP=21 lbs. [9.54 kgs.]

Warranty

- Five year limited warranty, consult website for details. www.cooperlighting.com/legal



Lumark **Crosstour Series**

Energy and Performance Data

Crosstour Power and Lumens

LED Information	XTOR1B	XTOR1B-W	XTOR1B-Y	XTOR2B	XTOR2B-W	XTOR2B-Y	XTOR3B	XTOR3B-W	XTOR3B-Y	XTOR4B	XTOR4B-W	XTOR4B-Y
Delivered Lumens (Wall Mount)	1,418	1,395	1,327	2,135	2,103	1,997	2,751	2,710	2,575	4,269	4,205	3,995
Delivered Lumens (With Flood Accessory Kit) ¹	1,005	990	940	1,495	1,472	1,399	2,099	2,068	1,965	3,168	3,121	2,965
B.U.G. Rating ²	B1-U0-G0	B1-U0-G0	B1-U0-G0	B1-U0-G0	B1-U0-G0	B1-U0-G0	B1-U0-G0	B1-U0-G0	B1-U0-G0	B2-U0-G0	B2-U0-G0	B2-U0-G0
CCT (Kelvin)	5,000	4,000	3,000	5,000	4,000	3,000	5,000	4,000	3,000	5,000	4,000	3,000
CRI (Color Rendering Index)	70	70	70	70	70	70	70	70	70	70	70	70
Power Consumption (Watts)	12W	12W	12W	18W	18W	18W	26W	26W	26W	38W	38W	38W

NOTES: 1 includes shield and vicer. 2 B.U.G. Rating does not apply to floodlighting.

Crosstour MAXX Power and Lumens

LED Information	XTOR6B	XTOR6BRL	XTOR6B-W	XTOR6BRL-W	XTOR6B-Y	XTOR6BRL-Y
Delivered Lumens	6,129	6,225	6,038	6,133	5,611	5,826
B.U.G. Rating	B1-U0-G1	B2-U4-G3	B1-U0-G1	B2-U4-G3	B1-U0-G1	B2-U4-G3
CCT (Kelvin)	5000K	5000K	4000K	4000K	3000K	3000K
CRI (Color Rendering Index)	70	70	70	70	70	70
Power Consumption (Watts)	58W	58W	58W	58W	58W	58W

LED Information	XTOR8B	XTOR8BRL	XTOR8B-W	XTOR8BRL-W	XTOR8B-Y	XTOR8BRL-Y
Delivered Lumens	8,502	8,635	8,373	8,504	7,748	8,079
B.U.G. Rating	B2-U0-G1	B2-U4-G3	B2-U0-G1	B2-U4-G3	B2-U0-G1	B2-U4-G3
CCT (Kelvin)	5000K	5000K	4000K	4000K	3000K	3000K
CRI (Color Rendering Index)	70	70	70	70	70	70
Power Consumption (Watts)	81W	81W	81W	81W	81W	81W

LED Information	XTOR12B	XTOR12BRL	XTOR12B-W	XTOR12BRL-W	XTOR12B-Y	XTOR12BRL-Y
Delivered Lumens	12,728	13,458	12,539	13,258	11,861	12,595
B.U.G. Rating	B2-U0-G1	B2-U4-G3	B2-U0-G1	B2-U4-G3	B2-U0-G1	B2-U4-G3
CCT (Kelvin)	5000K	5000K	4000K	4000K	3000K	3000K
CRI (Color Rendering Index)	70	70	70	70	70	70
Power Consumption (Watts)	102W	102W	102W	102W	102W	102W



Lumark **Crosstour Series**

Crosstour Lumen Maintenance

Ambient Temperature	TM-21 Lumen Maintenance (72,000 Hours)
XTOR1B Model	
25°C	> 90%
40°C	> 89%
50°C	> 88%
XTOR2B Model	
25°C	> 89%
40°C	> 88%
50°C	> 87%
XTOR3B Model	
25°C	> 89%
40°C	> 88%
50°C	> 87%
XTOR4B Model	
25°C	> 89%
40°C	> 87%
50°C	> 87%

Crosstour MAXX Lumen Maintenance

Ambient Temperature	TM-21 Lumen Maintenance (72,000 Hours)
XTOR6B Model	
25°C	> 90%
40°C	> 88%
50°C	> 88%
XTOR8B Model	
25°C	> 89%
40°C	> 87%
50°C	> 86%
XTOR12B Model	
25°C	> 89%
40°C	> 87%

Power and Lumens (Large + CBP)

Light Engine	XTOR1B	XTOR2B	XTOR3B	XTOR4B
Power (Watts)	12	18	26	38
Input Current @ 120V (A)	0.103A	0.15A	0.22A	0.34A
Input Current @ 208V (A)	0.060A	0.09A	0.13A	0.17A
Input Current @ 240V (A)	0.053A	0.08A	0.11A	0.17A
Input Current @ 277V (A)	0.048A	0.07A	0.10A	0.15A
Input Current @ 347V (A)	0.039A	0.06A	0.082A	0.12A

Note: Power and current based on full power consumption while CBP is charging. Lumen outputs are while operating in emergency mode only.



Cooper Lighting Solutions
 1121 Highway 74 South
 Peachtree City, GA 30269
 P: 770-486-4800
 www.cooperlighting.com

© 2025 Cooper Lighting Solutions
 All Rights Reserved.
 Specifications and dimensions
 subject to change without notice.

PSS14255325LN page 5
 See Bomber 20_21_23 11-11-14



FARMHOUSE AT EAST ARGENT

DATA SHEETS

BASE SCHEDULE

A1

B1 PLEASE SPECIFY WATAGE & FINISH

C1

C1E

EM

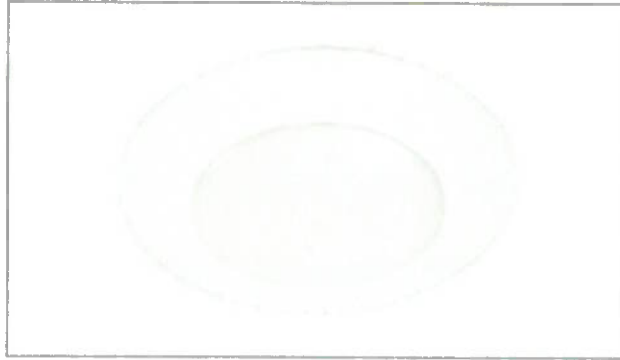
S1

S2

S2E

X1

Project		Catalog #		Type	
Prepared by		Notes		Date	



HALO

HLCE Disk Light Bulk Packs

This LED Disk Light is a low profile design that mounts directly to the ceiling or junction box with a stylish look. Phase cut dimming down to 10%⁽¹⁾

Typical Applications

Residential • Multifamily • Hospitality

Interactive Menu

- Order Information [page 2](#)
- Product Specifications [page 3](#)
- Photometric Data [page 4](#)
- Product Warranty
- Dimming Guide



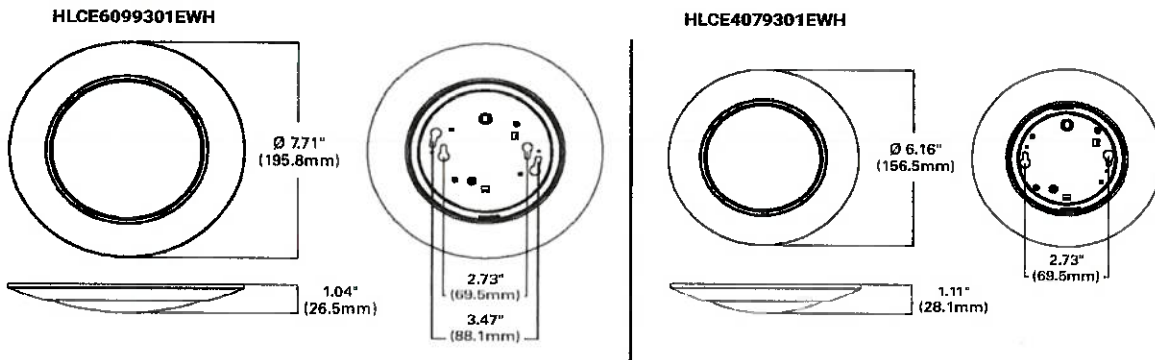
Refer to ENERGY STAR® Certified Products List. Can be used to comply with California Title 24 High Efficiency requirements. Certified to California Appliance Efficiency Database under JAB.



Top Product Features

- Dedicated 3000K, 4000K, 5000K; 90 CRI minimum
- Below the ceiling installation, no clips or plates needed
- Installs in most 3-1/2" and 4" standard and pancake junction boxes (see [Compatible Junction Boxes](#))
- Dimmable down to 10%
- Damp Location Listed

Dimensional and Mounting Details



¹ Review the product's Dimming Guide for approved compatible dimmers.
² T24 and RoHS are self-tested by Cooper Lighting Solutions. Not a third party certification.



HALO **HLCE Disk Light**

Order Information

4" Disk Light

Catalog Number	Description	Lumens (approx.)	CCT	CRI	Driver	Pack Size	Compliance
HLCE4079301EWH-12P	4" Disk Light	800	3000K	90 CRI	120V, 60Hz, LE & TE Phase Out 10% dimming	12 Pack	
HLCE4079401EWH-12P	4" Disk Light	800	4000K	90 CRI	120V, 60Hz, LE & TE Phase Out 10% dimming	12 Pack	
HLCE4079501EWH-12P	4" Disk Light	800	5000K	90 CRI	120V, 60Hz, LE & TE Phase Out 10% dimming	12 Pack	
HLCE4079301EWH-18P	4" Disk Light	800	3000K	90 CRI	120V, 60Hz, LE & TE Phase Out 10% dimming	18 Pack	
HLCE4079401EWH-18P	4" Disk Light	800	4000K	90 CRI	120V, 60Hz, LE & TE Phase Out 10% dimming	18 Pack	
HLCE4079501EWH-18P	4" Disk Light	800	5000K	90 CRI	120V, 60Hz, LE & TE Phase Out 10% dimming	18 Pack	
HLCE407930-12P-CA	4" Disk Light	800	3000K	90 CRI	120V, 60Hz, LE & TE Phase Out 10% dimming	12 Pack	California SKU
HLCE407940-12P-CA	4" Disk Light	800	4000K	90 CRI	120V, 60Hz, LE & TE Phase Out 10% dimming	12 Pack	California SKU
HLCE407930-18P-CA	4" Disk Light	800	3000K	90 CRI	120V, 60Hz, LE & TE Phase Out 10% dimming	18 Pack	California SKU
HLCE407940-18P-CA	4" Disk Light	800	4000K	90 CRI	120V, 60Hz, LE & TE Phase Out 10% dimming	18 Pack	California SKU

6" Disk Light

HLCE6099301EWH-12P	6" Disk Light	940	3000K	90 CRI	120V, 60Hz, LE & TE Phase Out 10% dimming	12 Pack	
HLCE6099401EWH-12P	6" Disk Light	1000	4000K	90 CRI	120V, 60Hz, LE & TE Phase Out 10% dimming	12 Pack	
HLCE6099501EWH-12P	6" Disk Light	1000	5000K	90 CRI	120V, 60Hz, LE & TE Phase Out 10% dimming	12 Pack	
HLCE6099301EWH-18P	6" Disk Light	940	3000K	90 CRI	120V, 60Hz, LE & TE Phase Out 10% dimming	18 Pack	
HLCE6099401EWH-18P	6" Disk Light	1000	4000K	90 CRI	120V, 60Hz, LE & TE Phase Out 10% dimming	18 Pack	
HLCE6099501EWH-18P	6" Disk Light	1000	5000K	90 CRI	120V, 60Hz, LE & TE Phase Out 10% dimming	18 Pack	
HLCE609930-12P-CA	6" Disk Light	940	3000K	90 CRI	120V, 60Hz, LE & TE Phase Out 10% dimming	12 Pack	California SKU
HLCE609940-12P-CA	6" Disk Light	1000	4000K	90 CRI	120V, 60Hz, LE & TE Phase Out 10% dimming	12 Pack	California SKU
HLCE609930-18P-CA	6" Disk Light	940	3000K	90 CRI	120V, 60Hz, LE & TE Phase Out 10% dimming	18 Pack	California SKU
HLCE609940-18P-CA	6" Disk Light	1000	4000K	90 CRI	120V, 60Hz, LE & TE Phase Out 10% dimming	18 Pack	California SKU

NOTE: California SKU not available for 5000K

Compatible Junction Boxes (3)(4)

4" octagon light fixture/fan steel box
 4" x 4" x 2-1/8"
 (102mm x 102mm x 54mm)

4" octagon steel box
 4" x 4" x 1-1/2"
 (102mm x 102mm x 38mm)

4" round new work non-metallic light fixture/fan box
 4" diameter x 2-3/16"
 (102mm x 56mm)

3-1/2" round new work non-metallic ceiling box
 3-1/2" diameter x 2-3/4"
 (89mm x 70mm)

3-1/2" round old work non-metallic box
 4-1/4" O.D. flange, 3-1/2" I.D. x 2-5/8"
 (108mm O.D., 89mm I.D. x 67mm)

4" round surface mount box
 4" diameter x 1-1/2"
 (102mm x 38mm)

TP316
 for non-metallic cable
 4" x 4" x 2-1/8"
 (102mm x 102mm x 54mm)

TP317
 for metal clad cable
 4" x 4" x 2-1/8"
 (102mm x 102mm x 54mm)

Round ceiling pan
 4" diameter x 13/16"
 (102mm x 21mm)

4" round new work non-metallic box with hanger bar assembly
 4" diameter x 2-3/16" (102mm x 56mm)

Cat #: JB4FR2
4" NC JB box for Fire Rated Ceilings
 4" diameter x 5-1/2"
 (102mm x 140mm)

3 This is a representative list of compatible junction boxes only. Information contained in this literature about other manufacturers' products is from published information made available by the manufacturer and is deemed to be reliable, but has not been verified. Cooper Lighting Solutions makes no specific recommendation on product selection and there are no warranties of performance or compatibility implied. Installer must determine that site conditions are suitable to allow proper installation of the mounting bracket in the box.

4 HLCE only mounts to junction boxes that include mounting screws that are 2.73" apart. Please verify prior to purchasing junction boxes.

HALO

HLCE Disk Light

Housing – Compatibility

The non-California HLCE Series LED Disc Light is UL Certified for use with the following recessed housings.

HLCE4 & HLCE6	<p>4" Housings E4TATS = 4" non-IC, airtight shallow new construction housing, adjustable socket bracket, E26, 120V E4RTATS = 4" non-IC, airtight shallow remodeler housing, adjustable socket bracket, E26, 120V E4ICATS = 4" non-IC, airtight shallow new construction housing, adjustable socket bracket, E26, 120V</p>
HLCE4 & HLCE6	<p>5" Housings H25ICAT = 5" IC, airtight shallow new construction housing H5ICAT = 5" Insulated Ceiling, Air-Tite New Construction Housing H5RICAT = 5" IC, airtight remodel housing, E26 medium base, 120V ESICAT = 5" IC, airtight new construction housing, E26 medium base, 120V ESRICAT = 5" IC, airtight remodeler housing, E26 medium base, 120V</p>
HLCE6	<p>6" Housings H27ICAT = 6" IC, airtight shallow new construction housing H27RICAT = 6" IC, airtight shallow remodel housing E27ICAT = 6" IC, airtight shallow new construction housing E27RICAT = 6" IC, airtight shallow remodel housing E27TAT = 6" non-IC, airtight shallow new construction housing E27RTAT = 6" non-IC, airtight shallow remodel housing H7ICAT = 6" IC, airtight new construction housing, E26 medium base, 120V H7RICAT = 6" IC, airtight remodel housing, E26 medium base, 120V E7ICAT = 6" IC, airtight new construction housing, E26 medium base, 120V E7RICAT = 6" IC, airtight remodeler housing, E26 medium base, 120V E7TAT = 6" non-IC, airtight new construction housing, E26 medium base, 120V E7RTAT = 6" non-IC, airtight remodeler housing, E26 medium base, 120V</p>

Product Specifications

Construction

- Stamped steel

Optics

- Precision engineered optic provides uniform luminance from a low-profile convex lens
- Removable lens for easy install from below installation

LED

- Back lit LED technology
- Color Temperature: Available only in dedicated 3000K, 4000K, 5000K CCT
- Color Quality: 90 CRI minimum
- Color Accuracy within 6 SDCM at the CCT endpoints, provide color accuracy and uniformity
- Expected Life: L70 at 50,000 hours projected in accordance with TM-21

Driver

- Integral 120V 60 Hz constant current driver provides noise free operation
- Continuous, flicker-free dimming from 100% to 10% (See Dimming Guide for compatible dimmers)

Dimming

- Continuous, flicker-free dimming from 100-10% with 120V phase cut Leading Edge (LE) and Trailing Edge (TE) dimmers.

TIPS: For optimal dimming performance, consider dimmers with low-end trim adjustment and note that some dimmers require a neutral wire in the wallbox (See the [HLCE Dimming Guide](#) and then consult dimmer manufacturer for compatibility and conditions of use.)

Electrical Junction Box Mounting

- HLCE fixtures may be used in compatible electrical junction boxes in direct contact with insulation including spray foam insulation
- Installs from below the ceiling
- Suitable for installation in most 3-1/2" and 4" octagon and round electrical junction boxes.
- Compatible with compact (pancake) junction boxes
- Installer must ensure compatibility of fit, wiring and proper mounting in the electrical junction box. This includes all applicable national and local electrical and building coded NEMA LSD 57-2013

Recessed Housing Mounting

- Extension Springs for 5" and 6" housings included in the box
- Not for use in recessed housings in direct contact with spray foam insulation refer to NEMA LSD 57-2013
- Compatible with Halo 5" and 6" housings

Electrical Power Connections

- Wire nuts provided for mains connections
- The Included E26 medium screw-base Edison adapter provides easy retrofit of incandescent housings (non-California product only)

Compliance

- cULus certified for US and Canada
- Damp location listed
- Airtight per ASTM-E283 (no gasket necessary)
- Suitable for use in clothes closets when installed in accordance with the NEC 410.16 spacing requirements
- EMI/RFI emissions per FCC 47CFR Part 15 consumer limits
- Contains no mercury or lead and RoHS compliant
- Photometric testing in accordance with IES LM-79-08
- Lumen maintenance projections in accordance with IES LM-80-08 and TM-21-11
- ENERGY STAR® certified, reference Certified Light Fixtures database
- Certified to State of California Title 20, State-regulated LED Lamp; reference Modernized Appliance Efficiency Database System (MAEDBS) for State-regulate d LED Lamp
- Can be used for State of California Title 24 high efficacy LED compliance under JAB , reference Modernized Appliance Efficiency Database System (MAEDBS) for 2019 JAB High Efficacy Lighting

Warranty

- Five year limited warranty, consult website for details www.cooperlighting.com/warranty

HALO **HLCE Disk Light**

Energy Data

HLCE4079301EWH

Lumens	803
Input Voltage (VAC)	120
Input Current (A)	0.091
Efficiency (LpW)	78
Inrush Current (A)	0.81
Inrush Duration (ms)	72
THD (%)	45
PF	≥ 0.90
T Ambient	25°C
Sound Rating	≤ 20dBA

HLCE6099301EWH

Lumens	968
Input Voltage (VAC)	120
Input Current (A)	0.119
Efficiency (LpW)	74
Inrush Current (A)	0.912
Inrush Duration (ms)	75
THD	45
PF	≥ 0.90
T Ambient	25°C
Sound Rating	≤ 20dBA

Catalog Number	CCT	Watts	lumens	LPW	CRI
HLCE4	3000K	10.5	805	76.7	93
	4000K	10.3	810	78	97
	5000K	10.4	819	79	97
HLCE6	3000K	13.5	945	70	93
	4000K	13.2	990	75	97
	5000K	13.1	985	75	97

Photometric Data

HLCE4079301EWH-3000K
 Spacing criterion:
 (0-180) 1.28 | (90-270) 1.28 |
 (Diagonal) 1.38
 Beam Angle: 112.7°
 Field Angle: 170.3°
 Lumens: 802
 Input Watts: 10 W
 Efficacy: 77 LPW
 UGR: 27.7
 Test Report: A2308131A001

Zonal Lumen	Lumens	% Lumens
0-30	207.3	26
0-40	339.4	42
0-60	601.3	75
0-90	789.9	98

TM-30-15	Rf = 91
	Rg = 105
CRI/CIE	Ra = 94.7
	R9 = 87.4

112°

HLCE6099301EWH-3000K
 Spacing criterion:
 (0-180) 1.28 | (90-270) 1.26 |
 (Diagonal) 1.38
 Beam Angle: 111.4°
 Field Angle: 165.5°
 Lumens: 955
 Input Watts: 13 W
 Efficacy: 73 LPW
 UGR: 25.2
 Test Report: A2308131A001

Zonal Lumen	Lumens	% Lumens
0-30	252.2	26
0-40	412	43
0-60	726.6	76
0-90	955.1	98

TM-30-15	Rf = 91
	Rg = 105
CRI/CIE	Ra = 94.3
	R9 = 88.8

112°



Cooper Lighting Solutions
 1121 Highway 74 S. 2nd
 Peachtree City, GA 30269
 P 770-486-4800
 www.cooperlighting.com

© 2025 Cooper Lighting Solutions
 All Rights Reserved.
 Specifications and dimensions
 subject to change without notice.

TIGER LED

Architectural Indoor



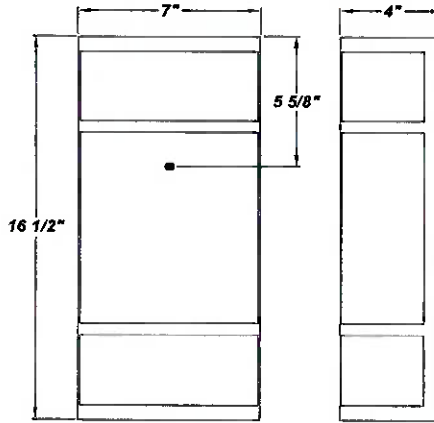
PROJECT	
TYPE	
PO#	QTY
COMMENTS	

FEATURES

- ADA Compliant
- Aluminum Mounting Plate Mounts to Flat Surface
- Centered Over and Mounted to 4" J-Box (By Others)
- CSA Listed Dry Location For Wall Mount
- Dimmable to 10%
- Luminous White Acrylic Diffuser
- Mounting Hardware Included
- Open Top and Bottom
- Steel Fascia with Matte Silver Powder Coat Finish

LINE DRAWING

LINE DRAWING NOT TO SCALE



FINISHES

Antique Copper	Antique Silver	Bronze Mist	Matte Silver	Sand	Swedish Steel
Textured Black	Textured Bronze	Textured White			

For RAL Colors & Custom Match - Contact Teron Lighting Inc.



TERONLIGHTING.COM
 33 DONALD DR. FAIRFIELD, OH 45014
 P: 513 858 6004 F: 513 858 6038
 E: SALES@TERONLIGHT.COM



We reserve the right to revise the design components of any product due to parts availability or change in UL standards without assuming any obligation or liability to modify any products previously manufactured and without notice.

SEND CUT SHEET

TIGER LED

Architectural Indoor



Fixture Core

PROJECT	
TYPE	
PO#	QTY
COMMENTS	

PRODUCT CODE	SOURCE/WATTAGE	VOLTAGE	DIMMING DRIVER
TGR - Tiger	L12.0-LT350 - 12 0W LED Strips @ 350mA 2-Wire Trailing or Leading Edge Driver L18.0-LT500 - 18 0W LED Strips @ 500mA 2 Wire Trailing or Leading Edge Driver	100-277V (120-230V Dimmable For Most LT LED Drivers) (ZE 0-10V Drivers Are Dimmable From 120V - 277V)	Not Applicable
ORDER INFO			

PLEASE SPECIFY WATTAGE, FINISH			
--------------------------------	--	--	--

Aesthetics & Options

TRIM	FINISH	COLOR TEMP	OPTIONS
Not Applicable	AC - Antique Copper AS - Antique Silver BT - Bronze Mist SM - Matte Silver (Standard) SN - Sand SW - Swedish Steel TB - Textured Black BZ - Textured Bronze TW - Textured White	30K - 3000K Color Temp 35K - 3500K Color Temp 40K - 4000K Color Temp	F - Fused TBC - Perforated Steel Top & Bottom Covers TCV - Perforated Steel Top Cover
ORDER INFO			

PROD	SOURCE	30K SPECS				
TGR	L12.0	<ul style="list-style-type: none"> 30K - 3000K Color Temp 1400 LED Source Lumens 116.7 LED Source Lumens Per Watt 				
	L18.0	<ul style="list-style-type: none"> 30K - 3000K Color Temp 1986 LED Source Lumens 110.3 LED Source Lumens Per Watt 				

REPLACEMENT PART	PART NO	NOTES
White Acrylic Lens	3040960	

Don't see the configuration you are looking for?
Call us today at (513) 858-6004



TERONLIGHTING.COM
33 DONALD DR, FAIRFIELD, OH 45014
P: 513 858 6004 F: 513 858 6038
E: SALES@TERONLIGHT.COM



We reserve the right to revise the design components of any product due to parts availability or change in UL standards without assuming any obligation or liability to modify any products previously manufactured and without notice.

SEND CUT SHEET

Job Name: FARMHOUSE AT EAST ARGENT - SUBMITTAL BOM
Manufacturer: TERON LIGHTING CORP
Model Number: TGR-TRIM-L18-ZE-UNIV-FINISH-35K
Notes: PLEASE SPECIFY WATTAGE, FINISH

Type:
B1

TIGER LED

Architectural Indoor



Fixture Core

PROJECT	
TYPE	
PO#	QTY
COMMENTS	

PRODUCT CODE	SOURCE/WATTAGE	VOLTAGE	DIMMING DRIVER
TGR - Tiger	L18.0-ZE500 - 18.0W LED Strips @ 500mA Low Voltage 4-Wire Dimming Electronic Driver	100-277V (120-230V Dimmable For Most LT LED Drivers) (ZE 0-10V Drivers Are Dimmable From 120V - 277V)	Not Applicable
ORDER INFO			

Aesthetics & Options

TRIM	FINISH	COLOR TEMP	OPTIONS
Not Applicable	AC - Antique Copper AS - Antique Silver BT - Bronze Mist SM - Matte Silver (Standard) SN - Sand SW - Swedish Steel TB - Textured Black BZ - Textured Bronze TW - Textured White	30K - 3000K Color Temp 35K - 3500K Color Temp 40K - 4000K Color Temp	F - Fused TBC - Perforated Steel Top & Bottom Covers TCV - Perforated Steel Top Cover
ORDER INFO			

PROD	SOURCE	30K SPECS				
TGR	L18.0	<ul style="list-style-type: none"> • 30K - 3000K Color Temp • 1986 LED Source Lumens • 110.3 LED Source Lumens Per Watt 				

REPLACEMENT PART	PART NO	NOTES
White Acrylic Lens	3040960	

Don't see the configuration you are looking for?
Call us today at (513) 858-6004

TERONLIGHTING.COM
 33 DONALD DR, FAIRFIELD, OH 45014
 P: 513 858 6004 F: 513 858 6038
 E: SALES@TERONLIGHT.COM

BUY AMERICAN
 SINCE 1979

[SEND CUT SHEET](#)

We reserve the right to revise the design components of any product due to parts availability or change in UL standards without assuming any obligation or liability to modify any products previously manufactured, and without notice.

COMET BFP LED

Architectural Outdoor



PROJECT:	
TYPE:	
PO#:	QTY
COMMENTS:	

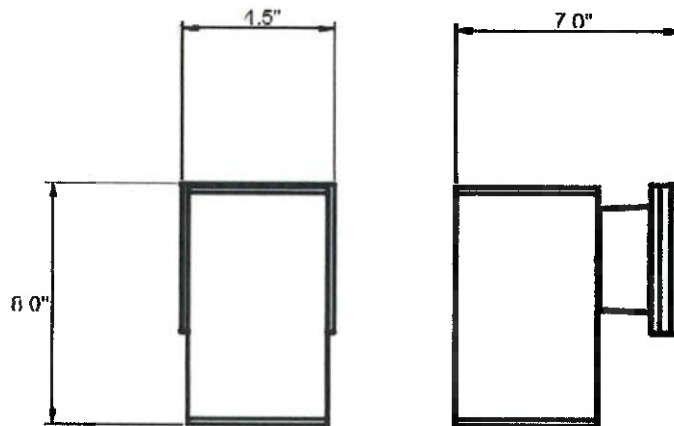


FEATURES

- Built-in PhotoCell Option
- Clear Glass Optical Shade
- CRI > 80
- Die-Cast Aluminum with Powder Coated Finish
- Down Light
- Energy Star Certified
- ETL Listed For Wet Locations
- UL Listed
- Wall Mounted
- 120V - 277V
- 5 Year Warranty on Driver and LED



LINE DRAWING



FINISHES

Black

Oil Rubbed Bronze



TERONLIGHTING.COM
 33 DONALD DR, FAIRFIELD, OH 45014
 P: 513.858.6004 F: 513.858.6038
 E: SALES@TERONLIGHT.COM

We reserve the right to revise the design components of any product due to parts availability or change in UL standards, without assuming any obligation or liability to modify any products previously manufactured, and without notice.

COMET BFP LED

Architectural Outdoor



PROJECT:	
TYPE:	
PO#:	QTY:
COMMENTS:	

Fixture Core

PRODUCT CODE	SOURCE/WATTAGE	VOLTAGE	DIMMING DRIVER
COM - Comet BFP LED	L9.0-250mA - 9.0W @ 250mA Constant Current Electronic Driver (Non-Dimmable)	120V -277V	Not Applicable

ORDER INFO

Aesthetics & Options

TRIM	FINISH	COLOR TEMP	OPTIONS
Not Applicable	BLK - Black ORB - Oil Rubbed Bronze	30K - 3000K Color Temp 40K - 4000K Color Temp	PCL - Photocell

ORDER INFO

PROD	SOURCE	30K SPECS				
COM	L9.0	<ul style="list-style-type: none"> 30K - 3000K Color Temp 754 Delivered LED Lumens 83.8 Delivered LED Lumens Per Watt 				

NOTES

Don't see the configuration you are looking for?
 Call us today at (513) 858 6004



TERONLIGHTING.COM
 33 DONALD DR, FAIRFIELD, OH 45014
 P: 513.858.6004 F: 513.858.6038
 E: SALES@TERONLIGHT.COM

We reserve the right to revise the design components of any product due to parts availability or change in UL standards, without assuming any obligation or liability to modify any products previously manufactured, and without notice.

COMET BFP LED

Architectural Outdoor

PROJECT:	
TYPE:	
PO#:	QTY:
COMMENTS:	



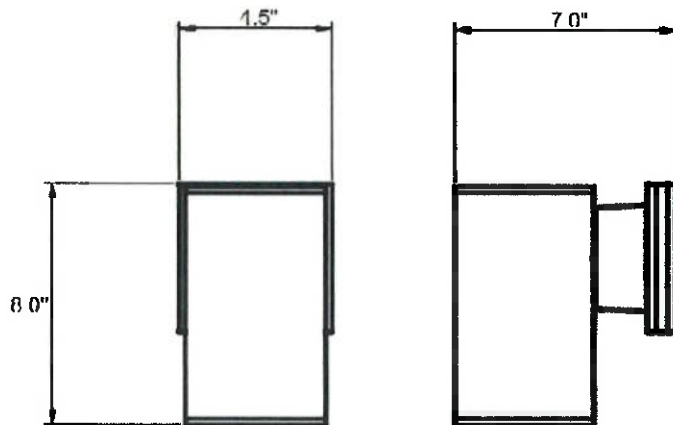
FEATURES

- Built-in Photocell Option
- Clear Glass Optical Shade
- CRI > 80
- Die-Cast Aluminum with Powder Coated Finish
- Down Light
- Energy Star Certified
- ETL Listed For Wet Locations
- UL Listed
- Wall Mounted
- 120V - 277V
- 5 Year Warranty on Driver and LED



LINE DRAWING

LINE DRAWING NOT TO SCALE



FINISHES

Black

Oil Rubbed Bronze



TERONLIGHTING.COM
 33 DONALD DR, FAIRFIELD, OH 45014
 P: 513.858.6004 F: 513.858.6038
 E: SALES@TERONLIGHT.COM

We reserve the right to revise the design components of any product due to parts availability or change in UL standards, without assuming any obligation or liability to modify any products previously manufactured, and without notice.

COMET BFP LED

Architectural Outdoor



PROJECT:	
TYPE:	
PO#:	QTY:
COMMENTS:	

Fixture Core

PRODUCT CODE	SOURCE/WATTAGE	VOLTAGE	DIMMING DRIVER
COM - Comet BFP LED	L9.0-250mA - 9.0W @ 250mA Constant Current Electronic Driver (Non-Dimmable)	120V -277V	Not Applicable

ORDER INFO

COM	L9.0-250mA	120V-277V	Not Applicable
-----	------------	-----------	----------------

Aesthetics & Options

TRIM	FINISH	COLOR TEMP	OPTIONS
Not Applicable	BLK - Black ORB - Oil Rubbed Bronze	30K - 3000K Color Temp 40K - 4000K Color Temp	PCL - Photocell

ORDER INFO

Not Applicable	BLK	30K	Not Applicable
----------------	-----	-----	----------------

PROD	SOURCE	30K SPECS				
COM	L9.0	<ul style="list-style-type: none"> 30K - 3000K Color Temp 754 Delivered LED Lumens 83.8 Delivered LED Lumens Per Watt 				

NOTES

Don't see the configuration you are looking for?
Call us today at (513) 858-6004



TERONLIGHTING.COM
33 DONALD DR, FAIRFIELD, OH 45014
P: 513.858.6004 F: 513.858.6038
E: SALES@TERONLIGHT.COM

We reserve the right to revise the design components of any product due to parts availability or change in UL standards, without assuming any obligation or liability to modify any products previously manufactured, and without notice.

Project		Catalog #		Type	
Prepared by		Notes		Date	



Sure-Lites

INVM-10W-AD

Emergency Power for Lighting
 10VA Output Micro Inverter
 0-10V Auto Dimming to Max 50VA Load

Typical Applications

Office • Education • Healthcare • Hospitality • Retail • Industrial • Manufacturing

Interactive Menu

- Order Information page 2
- Product Specification page 2

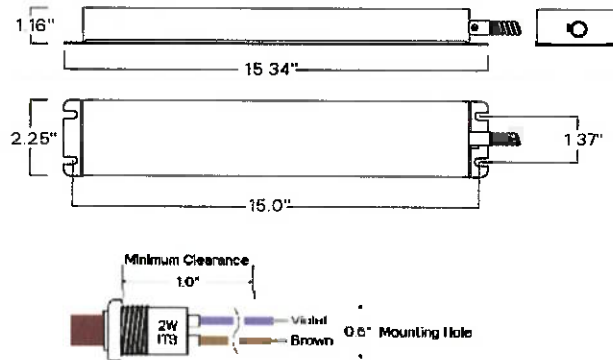


Top Product Features

- Provides 90 minutes of 10VA emergency power to lighting fixtures
- 0-10V Auto dimming allows up to 50VA max dimmable load
- 10 VA max non-dimmable load
- Automatic 120VAC or 277VAC output power to driver or ballast means easy field install
- 120~277 VAC, 50/60 Hz Input
- Compatible with LED, fluorescent luminaires, Type B TLED and screw based lamps
- UL 924 and CSA 22.2, No. 141 listed for field or factory installation
- Remote mounting up to 250 feet
- Maintenance free lithium-ion battery

Dimensional and Mounting Details

15.34" x 2.25" x 1.16" | Product Weight: 3.45 lbs. (1.56kg) | Mounting Center - 15.0"



Sure-Lites **INVM-10W-AD**

Ordering Information

SAMPLE ORDER NUMBER: **INVM-10W-AD**

Series	VA	Auto Dimming
INVM- Mini Inverter, Single Phase	10	AD- 0-10V Auto Dimming

Product Specifications

Electrical/Application

- Universal 120~277VAC 50/60Hz, 80 mA input
- Automatically selected output voltage: 120 VAC +/- 10% or 277 VAC +/- 10%, 60Hz
- Compatible with LED, fluorescent or incandescent light fixtures
- Provides 90-minutes of emergency power
- 2~5 second transfer time
- 24-hour recharge time
- Max output power 10VA, supports up to 50VA 0-10V dimmable loads
- Max output power 10VA for non-dimmable loads
- Provides pure sine wave power to the AC input side of the fixture for easy field installation
- Can provide emergency power to indoor and outdoor lighting (not rated for outdoor mounting locations)
- Remote mounting up to 250 feet maximum
- Low voltage disconnect prevents battery from deep discharge
- Temperature Rating (Ambient) 32° F to 122° F (0° C to 50° C)

0-10V Auto Dimming

- 0-10V auto dimming feature allows a lighting load of up to 50VA to be dimmed to 10VA maximum emergency output power
- The INVM-10W-AD passes the normal room or fixture dimming control signal (0-10 V) during normal operation (AC mains on) so normal dimming operation of the luminaire is not affected.

Installation

- Compatible with switched or unswitched fixtures
- Can be installed on or near the fixture
- Remote mounting up to 250 feet

Construction

- Steel housing with conduit

Battery

- Maintenance free lithium-ion

Warranty

- 5-year limited warranty

Charging Indicator Light / Test Switch

- Integrated LED Test Switch

Code Compliance

- UL 924 damp location for factory or field installation
- CSA 22.2, No.141 compliant
- NEC, NFPA, OSHA compliant
- CEC Title 20 compliant
- National Building Code of Canada (NBC), National Fire Code of Canada (NFPC)

Specification

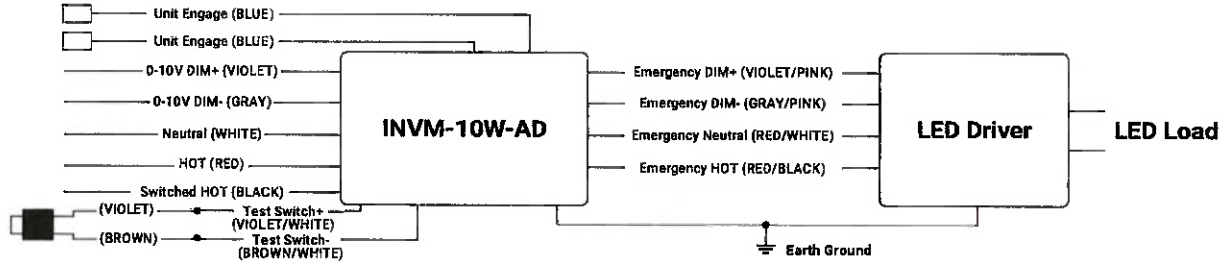
- Emergency lighting shall be provided by using a standard fixture or group of fixtures powered with a Sure-Lites INVM-10W-AD inverter
- The INVM-10W-AD unit consists of batteries, and electronic battery charging and output circuitry contained in one metal case.
- The INVM-10W-AD unit shall be capable of powering dimmable fluorescent and/or LED lighting fixtures rated at up to 50W of input power at 0°C to 50°C for a minimum of 90 minutes by the use of 0-10V dimming control.
- The INVM-10W-AD shall allow the emergency fixture to be on, off, switched or dimmed without affecting emergency operation.
- The INVM-10W-AD unit shall exceed emergency standards set forth by the current NEC and the Canadian Electrical Code.
- This device complies with Part 15 of the FCC Rules and meets California Energy Commission Title 20 efficiency requirements.
- It shall be UL Listed for the US and Canada, suitable for damp locations, and warranted for a full five years from date of manufacture.

FCC Compliance

- This device complies with Part 15 of the FCC Rules

Sure-Lites **INVM-10W-AD**

Schematic



Lithium Battery Shipping Regulations

To comply with IATA provisions for air transporting lithium batteries, and for a step by step guidance through the shipping process, please visit <https://www.iata.org/en/publications/store/lithium-battery-shipment-regulations/>.

To view a Classification Flowchart for package marking requirements, please visit <http://www.iata.org/whatwedo/cargo/dgr/Pages/lithium-batteries.aspx>. Scroll to the "Guidance Material" section and click on the provided "Guidance Document" PDF link. The Classification Flowchart will be found on page 5. The BTB15D battery cell capacity is less than 20Wh, and the battery pack capacity is less than 100 Wh.

Project		Catalog #		Type	
Prepared by		Notes		Date	



Sure-Lites

SEL Emergency Light - High Power Optics

LED Emergency Light
 Up to 32, 58 or 78 Feet Egress Coverage
 Adjustable Optic
 Self-Diagnostics Options
 Remote Capacity Options

Typical Applications

Office • Education • Healthcare • Hospitality • Retail • Manufacturing

Interactive Menu

- Order Information [page 2](#)
- Photometric Data [page 4](#)
- Self Diagnostics [page 6](#)
- Product Warranty

Product Certification



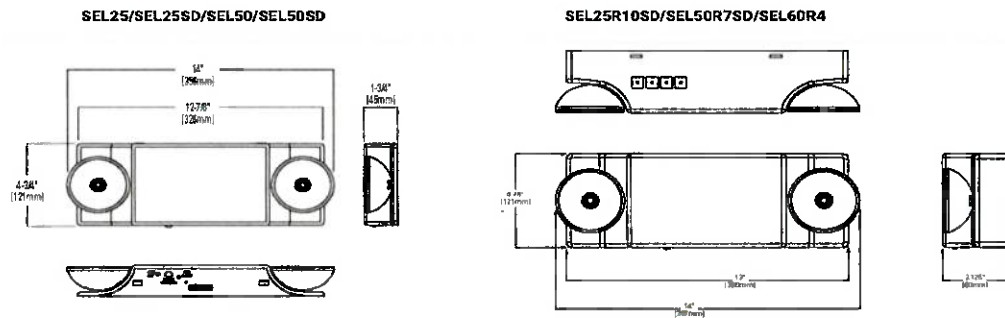
Product Features



Top Product Features

- High powered LED heads for higher egress coverage
- Emergency egress coverage of 32 to 78 feet
- Total system coverage of 193 feet with remote capable versions
- Long life LED source with adjustable optics
- Sealed Nickel Cadmium battery
- Patented EZ hang and EZ Key features facilitate installation
- Multi-voltage input 120/240/277 VAC

Dimensional Details



Sure-Lites SEL25/SEL50/SEL60

Catalog Logic for Non-Remote Capable Versions

SAMPLE ORDER NUMBER: SEL25, SEL50

Series	Spacing	Battery	Color	Self Diagnostic	Head Shape	Full Catalog Options
SEL=LED Emergency Light	25-35 feet 50-59 feet	__=NiCad	__=White	__=No Self Diagnostic SD=Self Diagnostic	__=Circular SQ=Square	SEL25, SEL25SQ, SEL25SD, SEL25SDSQ, SEL50, SEL50SQ, SEL50SD, SEL50SDSQ
Series	Coverage	Battery	Color	Self Diagnostic		
SEL=LED Emergency Light	25-35 feet	__=NiCad	BK=Black	SD=Self Diagnostic (standard)	__=Circular	SEL25BKSD,
SEL=LED Emergency Light	50-59 feet	__=NiCad	BK=Black	SD=Self Diagnostic (standard)	__=Circular	SEL50BKSD

Catalog Logic for Remote Capable Versions

SAMPLE ORDER NUMBER: SEL25R10SD, SEL50R7SD, SEL60R4

Series	Spacing	Battery	Remote Capacity	Color	Self Diagnostic	Full Catalog Options
SEL=LED Emergency Light	25-35 feet	__=NiCad	R10=10 watts	__=White BK=Black	SD=Self Diagnostic (standard)	SEL25R10SD SEL25R10BKSD
Series	Coverage	Battery	Remote Capacity	Color	Self Diagnostic	
SEL=LED Emergency Light	50-59 feet	__=NiCad	R7=7 watts	__=White BK=Black	SD=Self Diagnostic (standard)	SEL50R7SD SEL50R7BKSD
Series	Coverage	Battery	Remote Capacity	Color	Self Diagnostic	
SEL=LED Emergency Light	60-78 feet	__=NiCad	R4=4 watts	__=White	__=No SD SD=Self Diagnostic	SEL60R4 SEL60R4SD
Series	Coverage	Battery	Remote Capacity	Color	Self Diagnostic	
SEL=LED Emergency Light	60-78 feet	__=NiCad	R4=14 watts	BK=Black	SD=Self Diagnostic (standard)	SEL60R4BKSD

Emergency Egress Coverage; fixture spacing

Catalog Number	Output Lumens per Head	0.1fc Minimum/1fc Average	
		7.5 foot height	10 foot height
SEL25	125	35 feet	30 feet
SEL50	265	69 feet	60 feet
SEL60	366	78 feet	78 feet

Electrical Characteristics During Charging Mode

SEL25 / SEL50 / SEL60

Model	120 volt			277 volt		
	Power (W)	Current (A)	PF	Power (W)	Current (A)	PF
SEL25	0.6	0.07	0.06	0.64	0.07	0.03
SEL25SD	0.6	0.07	0.07	0.67	0.07	
SEL50	3.0	0.15	0.05	1.02	0.14	
SEL50SD	1.2	0.15	0.06	1.19	0.14	
SEL60R4	1.7	0.25	0.06	1.62	0.21	
SEL60R4SD	2	0.3	0.07	1.8	0.2	
SEL25R10SD	2	0.3	0.07	1.8	0.2	
SEL50R7SD	2	0.3	0.07	1.8	0.2	

Sure-Lites

SEL25/SEL50/SEL60

Remote System Design Guidelines

SEL25/SEL50/SEL60

SEL Series Remotes								
	SRPA	Single Head Remotes			Double Head Remotes			
		SRP13/SRM13	SRP25/SRM25	SRP30/SRM30	SRP25D/SRM25D	SRP50D/SRM50D	SRP60D/SRM60D	
Watts Consumed	3.5	1.25	2.5	4.1	2.5	5	8.2	
Catalog Number	Remote Watts Available	# of SRPA Remotes Fixture Will Power	# of SRP/SRM13 Remotes Fixture Will Power	# of SRP/SRM25 Remotes Fixture Will Power	# of SRP/SRM30 Remotes Fixture Will Power	# of SRP25D/SRM25D Remotes Fixture Will Power	# of SRP50D/SRM50D Remotes Fixture Will Power	# of SRP60D/SRM60D Remotes Fixture Will Power
SEL60R4	4	1	3	1	NA	1	NA	NA
SEL60R4SD	4	1	3	1	NA	1	NA	NA
SEL60R4BKSD	4	1	3	1	NA	1	NA	NA
SEL60R4BK	4	1	3	1	NA	1	NA	NA
SEL50R7SD	7	2	5	2	1	2	1	NA
SEL50R7BKSD	7	2	5	2	1	2	1	NA
SEL25R10SD	10	2	8	4	2	4	2	1
SEL25R10BKSD	10	2	8	4	2	4	2	1



SRP



SRPD



SRM



SRMD



SRPA WHITE



SRPA BLACK



SRPA BRONZE

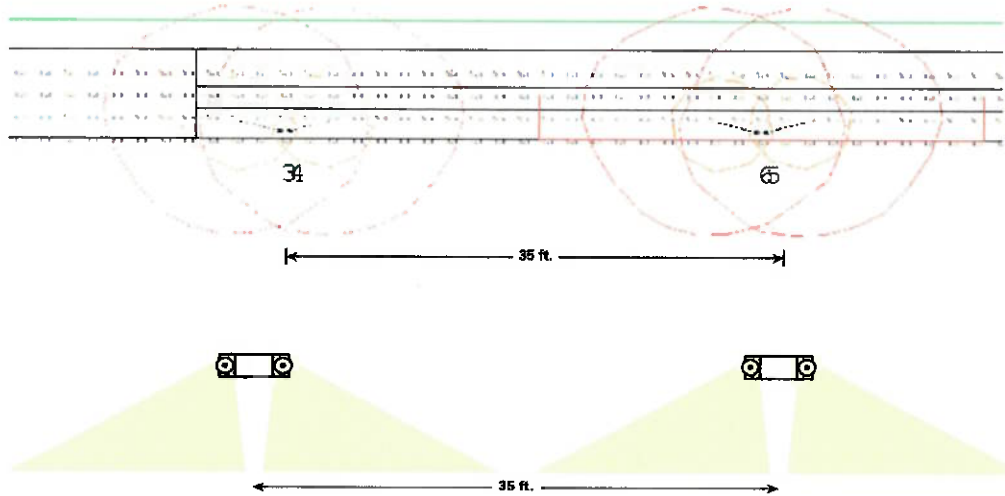


SRPA SILVER

Sure-Lites SEL25/SEL50/SEL60

Photometry
SEL25

[View IES files](#)



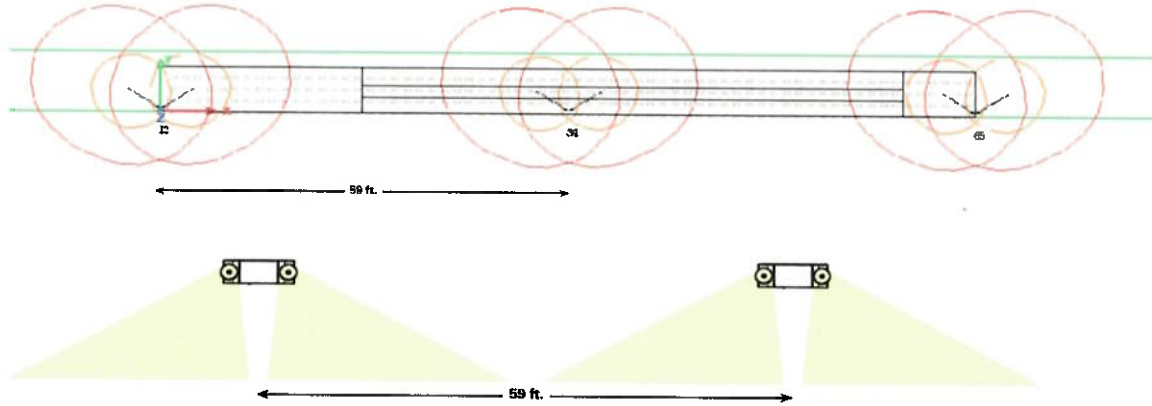
Label	X	Y	Z	Orient	Tilt
SEL25	-0.25	0.5	7.5	160	28
SEL25	0.25	0.5	7.5	20	28
SEL25	34.75	0.5	7.5	160	28
SEL25	35.25	0.5	7.5	20	28
SEL25	70.25	0.5	7.5	20	28
SEL25	69.75	0.5	7.5	160	28
SEL25	105.25	0.5	7.5	20	28
SEL25	104.75	0.5	7.5	160	28

***The "Rule of Thumb" spacing guidelines are designed to achieve 1 foot-candle average and 0.1 foot-candle minimum with a 40:1 maximum/minimum ratio. The corridor used is 100 feet long, 12 foot ceiling with an 8 foot wide walkway and 3 foot path of egress. The reflectances are 80% ceiling, 50% walls and 20% floors. The fixture mounting height is 7.5 feet. Cooper Lighting Solutions assumes no responsibility for local requirements or specific project variables. This is a guideline to be used as a design aid, not as guarantee of any code compliance.

Sure-Lites **SEL25/SEL50/SEL60**

Photometry

SEL50



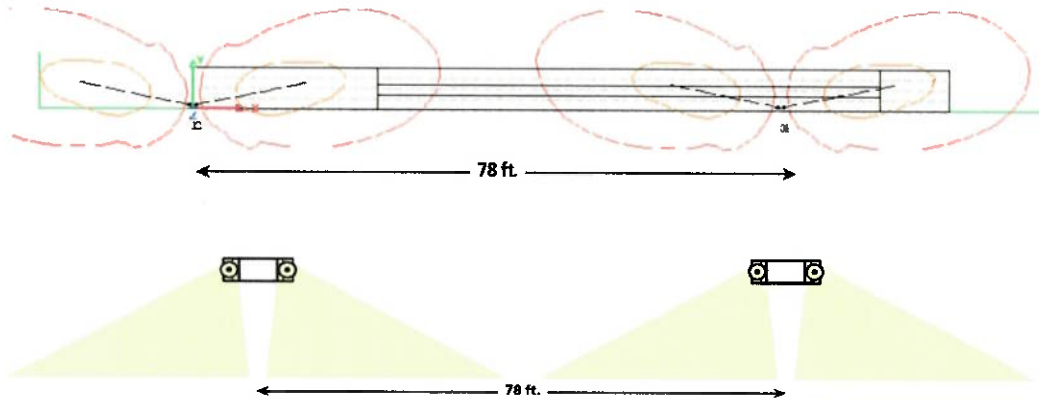
Label	X	Y	Z	Orient	Tilt
SEL50	-0.25	0.5	7.5	158	42.5
SEL50	0.25	0.5	7.5	22	42.5
SEL50	58.75	0.5	7.5	158	42.5
SEL50	59.25	0.5	7.5	22	42.5
SEL50	118.25	0.5	7.5	22	42.5
SEL50	117.75	0.5	7.5	158	42.5
SEL50	177.25	0.5	7.5	22	42.5
SEL50	176.75	0.5	7.5	158	42.5

***The "Rule of Thumb" spacing guidelines are designed to achieve 1 foot-candle average and 0.1 foot-candle minimum with a 40:1 maximum/minimum ratio. The corridor used is 100 feet long, 12 foot ceiling with a 8 foot wide walkway and 3 foot path of egress. The reflectances are 80% ceiling, 50% walls and 20% floors. The fixture mounting height is 7.5 feet. Cooper Lighting Solutions assumes no responsibility for local requirements or specific project variables. This is a guideline to be used as a design aid, not as guarantee of any code compliance.

Sure-Lites SEL25/SEL50/SEL60

Photometry

SEL60



Label	X	Y	Z	Orient	Tilt
SEL60	-0.25	0.5	7.5	168	64
SEL60	0.25	0.5	7.5	12	64
SEL60	77.75	0.5	7.5	168	64
SEL60	78.25	0.5	7.5	12	64
SEL60	156.25	0.5	7.5	12	64
SEL60	155.75	0.5	7.5	168	64
SEL60	234.25	0.5	7.5	12	64
SEL50	233.75	0.5	7.5	168	64

***The "Rule of Thumb" spacing guidelines are designed to achieve 1 foot-candle average and 0.1 foot-candle minimum with a 40:1 maximum/minimum ratio. The corridor used is 100 feet long, 12 foot ceiling with a 8 foot wide walkway and 3 foot path of egress. The reflectances are 80% ceiling, 50% walls and 20% floors. The fixture mounting height is 7.5 feet. Cooper Lighting Solutions assumes no responsibility for local requirements or specific project variables. This is a guideline to be used as a design aid, not as guarantee of any code compliance.

Sure-Lites SEL25/SEL50/SEL60

Technical Data

Mechanical Housing

All components are injection molded with a color stable, high impact thermoplastic resin. The surface is textured to improve aesthetic appearance. The housing construction is designed with snap-fit components and reinforcement ribs to provide maximum strength at minimum installation effort. The mounting hole pattern is universal to junction box requirements and is suitable for both wall and ceiling mount applications.

EZ Key - External Power Disconnect

Prevents the battery from cycling during the construction phase and ensures battery is not drained from power cycling.

EZ Hang - Mounting Feature

The hands-free EZ Hang feature allows the installer to hang the emergency light face from the back plate in order to easily and efficiently make the power connections.

Self Diagnostics

The self-diagnostic software will automatically perform all tests required by UL924, and NFPA101 and will systematically calibrate itself in the field, thus reducing installation labor and eliminating manual calibration errors. The system indicates the status of the emergency light at all times using the LED indicator. A 90 minute battery power (emergency mode) simulation test will occur every 12 months. A 30 second battery power simulation test will occur every 30 days. The Solid-State microprocessor based system has the ability to accurately detect and warn of system failures, plus it incorporates all of the standard electronic features that sets Sure-Lites apart from its competition.

Low Voltage Disconnect

The low-voltage circuitry disconnects the lighting load to protect the battery after run times in excess of the 90 minute UL limit. The disconnect remains in effect until normal utility power is restored preventing deep battery discharge.

Brownout Circuit

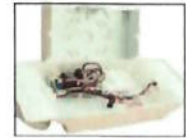
The brownout circuit on the SEL emergency light monitors the flow of AC current to the unit and activates the emergency light heads when a predetermined reduction of AC power occurs.

Warranty

SEL units are backed by a five-year warranty on the fixtures.



EZ Key



EZ Hang

Self Diagnostic Testing Operations

The Sure-Lites Eagle Eye Self Diagnostics is continuously monitoring your emergency fixture, and will signal any failure through the 3 color indicator LED.

Initial Operation:

When the unit is first powered up, it will go into a 24 hour fast charge, indicated by the indicator LED pulsing green. Once the unit has fully charged, it will perform a self calibration, after which the LED will change to steady green, indicating the unit is fully charged and float charging the battery to maintain readiness.

Automatic Testing:

The unit will perform a battery capacity, lamp/LED, and charge circuit test every 30 days for 30 seconds. During this time, the indicator LED will change to a steady yellow. It will perform a full battery capacity (90 minute) test once per year. During this time, the indicator LED will change to a blinking yellow.

Manual Testing:

- 10 Second "Installation" test - Press and release the test button once during fast charge (blinking green) to initiate a 10 second quick test. The sign will switch to emergency mode for 10 seconds allowing the installer to verify proper installation of the unit, and the LED indicator will turn solid yellow.
- 30 Second Test - Press and release the test button once during float charge (steady green). The indicator LED will turn steady yellow to indicate the unit is performing a 30 second test of the batteries and lamps/LEDs.
- 90 Minute Test - Press and release the test button a second time during a 30 second test (steady yellow) to change to a 90 minute test. During this test, the LED indicator will change to blinking yellow, and the circuit will perform a full battery capacity, charge circuit, and LED test.
- Canceling Test - Press and release the test button during the 90 minute test (flashing yellow) to return the fixture to its original state (fast charge or float charge)

Laser Test:

The SEL SD products are equipped with a Laser Test function, that allows the unit to be manually tested without the need to physically press the test button. Shining a laser pointer in the hole marked "LASER TEST" on the bottom of the unit has the same effect as a press and release of the test button.

Clearing Failure Codes:

- A battery failure (LED two blink red) can be cleared by replacing the battery. Disconnecting the battery and AC power, or performing a full 90 minute discharge, will reset the error code, however, it will return if the battery is faulty
- Charge Circuit (LED three blink red) and lamp/LED failure (LED four blink red) will clear when the unit successfully passes a manual or automatic 30 second test.

Indicators:

- LED Off - No power to unit, emergency mode.
- LED Steady Green - Unit is fully charged and is float charging the battery to maintain readiness.
- LED Green Pulse - Unit is in a 24 hour fast charge of the battery.
- LED Two Blink Red - Battery has failed a capacity test, or the battery is disconnected. See "Clearing Failure Codes" above.
- LED Three Blink Red - Battery charge circuit has failed. See "Clearing Failure Codes" above.
- LED Four Blink Red - Lamps have burned out, or on an EXIT/Combo, 50% or more of the LEDs have failed. See "Clearing Failure Codes" above.
- LED Steady Yellow - 30 second test or 10 second quick test (Fast Charge only).
- LED Blinking Yellow - 90 minute test.

Maintenance

None required. Replace the batteries as needed according to ambient conditions. However, we recommend that the equipment be tested regularly in accordance with local codes.

	OFF - EMERGENCY MODE / POWER OFF	STEADY BLINK GREEN - FAST CHARGE	STEADY YELLOW - QUICK TEST
	STEADY GREEN - FULL / FLOAT CHARGE	2 BLINK RED - BATTERY FAILURE	3 BLINK RED - CHARGE CIRCUIT FAILURE
	3 BLINK RED - CHARGE CIRCUIT FAILURE	4 BLINK RED - LAMP/LED FAILURE	
	4 BLINK RED - LAMP/LED FAILURE		

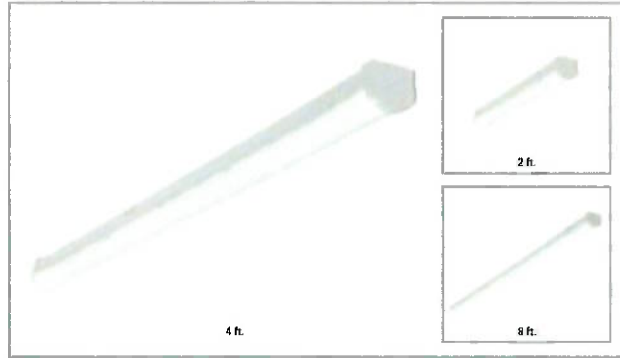


Cooper Lighting Solutions
1121 Highway 74 South
Peachtree City, GA 30269
P 770-486-4800
www.cooperlighting.com

© 2024 Cooper Lighting Solutions
All Rights Reserved
Specifications and dimensions
subject to change without notice

P550505924 page 7
August 08, 2024 2:11 PM

Project		Catalog #		Type	
Prepared by		Notes		Date	



Metalux

SLSTP Lensed LED

Selectable CCT and Lumen LED Striplight

Typical Applications

Commercial • Industrial • Retail • Residential

Interactive Menu

- Order Information [page 2](#)
- Photometric Data [page 4](#)
- Sensor Coverage [page 5](#)
- Product Warranty

Product Certification



Product Features

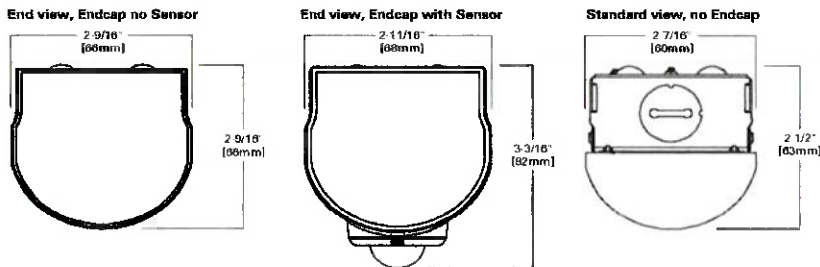


Top Product Features

- External selectable switches provide easy, in field customization
- (3) color temperature and lumen select option provide application versatility
- Single frost lens (no breaks) provides clean, continuous lighting layout
- Up to 143 LPW and DLC compliant to enable rebates and energy savings
- Available in 8ft, 4ft and 2ft lengths, single and continuous mount capable
- UNV and 347V driver with 0-10V dimming, 10% standard
- Jbox cover, decorative endcap included to complete install.



Dimensional and Mounting Details



J-box Cover and Endcap included



Cover for junction box is shipped standard with fixture, along with hardware to secure cover to J-box.

[additional product diagrams](#)

Metalux **SLSTP Lensed**

Order Information and Performance Data

Default CCT/Lumen Setting: 4000K / Med Power

Catalog #	UPC	Length	CCT (K)	Delivered Lumens	Watts	Efficacy (lm/W)	Dimming	Input Current (A)		
								120V	277V	347V
2SLSTPSC-UNV	080083174409	2	3500	2445	22	113	0-10V Dim to 10%	0.18	0.08	-
			4000	2585	21	123		0.17	0.08	
			5000	2470	21	115		0.18	0.08	
4SLSTPSC-UNV	080083174416	4	3500	2416	18	133	0-10V Dim to 10%	0.15	0.07	-
			4000	2418	18	137		0.15	0.06	
			5000	2383	18	134		0.15	0.06	
			3500	3534	31	115		-	0.26	0.11
			4000	3627	30	122			0.25	0.11
			5000	3523	30	116			0.25	0.11
			3500	5802	48	121		-	0.40	0.17
			4000	6045	46	130			0.39	0.17
			5000	5784	48	121			0.40	0.17
8SLSTPSC-UNV	080083174423	8	3500	4215	34	125	0-10V Dim to 10%	0.28	0.12	-
			4000	4321	33	130		0.28	0.12	
			5000	4288	34	127		0.28	0.12	
			3500	7782	64	121		-	0.54	0.23
			4000	8141	63	130			0.52	0.23
			5000	7901	64	123			0.54	0.23
			3500	10456	88	118		-	0.74	0.32
			4000	11119	85	130			0.71	0.31
			5000	10456	89	118			0.74	0.32
2SLSTPSC-347	080083249442	2	3500	2489	22	114	0-10V Dim to 10%	-	-	0.06
			4000	2631	21	125		-	-	0.06
			5000	2538	22	117		-	-	0.06
4SLSTPSC-347	080083249466	4	3500	2339	18	127	0-10V Dim to 10%	-	-	0.05
			4000	2446	18	134		-	-	0.05
			5000	2386	18	130		-	-	0.05
			3500	3479	31	113		-	-	0.09
			4000	3669	30	121		-	-	0.09
			5000	3550	31	115		-	-	0.09
			3500	5736	47	122		-	-	0.14
			4000	6115	46	133		-	-	0.13
			5000	5852	47	124		-	-	0.14
8SLSTPSC-347	080083249480	8	3500	4419	33	136	0-10V Dim to 10%	-	-	0.09
			4000	4556	32	143		-	-	0.09
			5000	4521	32	140		-	-	0.09
			3500	7937	64	124		-	-	0.18
			4000	8325	62	134		-	-	0.18
			5000	8254	65	127		-	-	0.19
			3500	10622	87	123		-	-	0.25
			4000	11202	84	134		-	-	0.24
			5000	10692	86	124		-	-	0.25

Energy Data - 120V

	2'	4'	8'
PF	0.99	0.99	0.99
THD%	< 8.5	< 9.9	< 8.1
Low Temp Start	-20°C	-20°C	-20°C

Shipping Data

Catalog Base	Wt. (lbs)	Unit per Pallet	Case Pack Qty.
2SLSTP	2.5	180	6
4SLSTP	4.5	120	4
8SLSTP	8	100	2

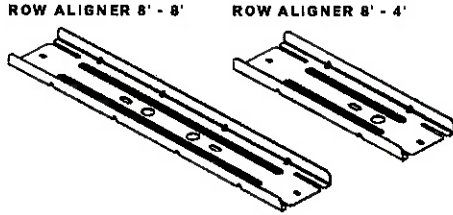


Metalux **SLSTP Lensed**

Factory Installed Mod Shop Option

Catalog	Emergency Battery Installed (2) (4)
4SLSTP* - ___	BSL6 = Bodine 6W Emergency
8SLSTP* - ___	BSL10 = Bodine 10W Emergency

Example: 4SLSTPSLC-UNV-BSL10



Accessories

- Mounting**
 AYC-Chain/Set-36" Hanging Chain Set w/V Hooks
 Y-TOGGLE-10-2PK-(2) Y-Toggle Cable Kits at 10FT long (2)
 SCF-12-B-12" Fixed Stem Set (specify if another length is needed) (2)

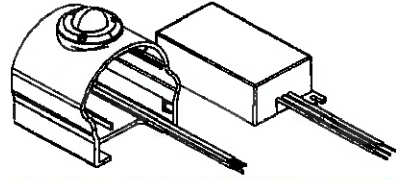
- Emergency and Sensor**
 EBPLED7W-User Installed, Remote Mount, 7 Watt LED Emergency Battery Pack
 EBPLED14W-User Installed, Remote Mount, 14 Watt LED Emergency Battery Pack
 SLSTP MS00 Kit-Field installable sensor kit, PIR Sensor 100% 50% OFF (5)
 SLSTP MS25 Kit-Field installable sensor kit, PIR Sensor 100% 50% Low (~30%) (5)

- Wireguard, Row-mount and Lens**
 WG-SLSTP-4 Wireguard 46.3", nominal 4FT
 WG-SLSTP-2 Wireguard 23", nominal 2FT
 SLSTPROW88-8ft to 8ft continuous row bracket
 SLSTPROW842-8ft to 4ft or 2ft continuous row bracket
 2SLSTPLNS-2 ft. Replacement Lens
 8SLSTPLNS-8 ft. Replacement Lens

Notes: (1) For stem, order two per fixture.
 (2) For approximate delivered lumens multiply the lumens per watt of the desired fixture by the wattage of the emergency battery pack (100 lum/W x 7=700 lumens).
 (3) Continuous row mount only between fixtures.
 (4) EBP not available at 347V.
 (5) Sensor info and coverage on page 5

Catalog	Unit UPC	Unit Carton Qty	Case Qty
SLSTPROW88	080083815654	1	50
SLSTPROW842	080083815661	1	100

SLSTP MOTION SENSOR KIT - See page 5 for sensor info and coverage area



Catalog	Unit UPC	Unit Carton Qty	Case Qty
SLSTP MS00 Kit	080083254200	1	50
SLSTP MS25 Kit	080083254224	1	100

Product Specifications

Construction

- Fixture channel, cover and end plates are formed from cold rolled steel
- Decorative end caps snap-on for an improved aesthetic finish
- Suitable for either single or continuous row applications

Electrical

- Long-Life LED system with an energy-efficient electronic driver comes in UNV (120-277V) or 120/347V versions
- Available with 0-10V dimming
- CCT Selectable option for maximum color flexibility: choose from 3500K, 4000K or 5000K
- LED and Light Engine
 - Lumen select switch provides three lumen package choices (Low, Medium and High)
 - L70 at >50,000 hours (TM-21), over 23 years at 6 hrs/day
 - CRI 83 or better
- Default CCT/Lumen setting is 4000K and Med Power

Controls

- Maximize energy savings - combine with products like occupancy sensors, daylighting controls, and lighting relay panels
- Standard 0-10V continuous dimming driver works with any standard 0-10V control/dimmer
- Dimming range is 10% to 100% and varies by control device
- Purple and grey (pink) low voltage dimming leads required from 0-10V dimmer switch to fixture
- PIR occupancy sensors enables code compliance. Refer to accessory kit and page 5 for setting levels
- Sensor kit can be field installed. Add up to (20) 4ft or (10) 8ft fixtures per single sensor kit. Kit is end mount only.

Finish

- Post painted with high reflective paint - standard, for ease of handling

Shielding

- Frost, polycarbonate lens with linear prisms for uniform light distribution

Emergency Battery Pack Option

- Factory Installed 120V-277V integral emergency battery pack available via mod-shop.
- 90-minute backup period for code compliance
- Factory installed integral test switch visible from room side

Installation

- May be surface, suspended, or wall mounted
- Multiple 7/8" K.O. on back and one on each end
- Jbox cover, wire nuts and decorative end caps included

Compliance

- cULus listed for damp location rated
- LED's comply with IESNA LM-79 and LM-80 standards
- DesignLights Consortium® Qualified and classified for DLC Standard, refer to www.designlights.org for details
- RoHS compliant
- Suitable for use in closet storage spaces when installed in accordance with NFPA-70 and NEC 410.16 spacing requirements

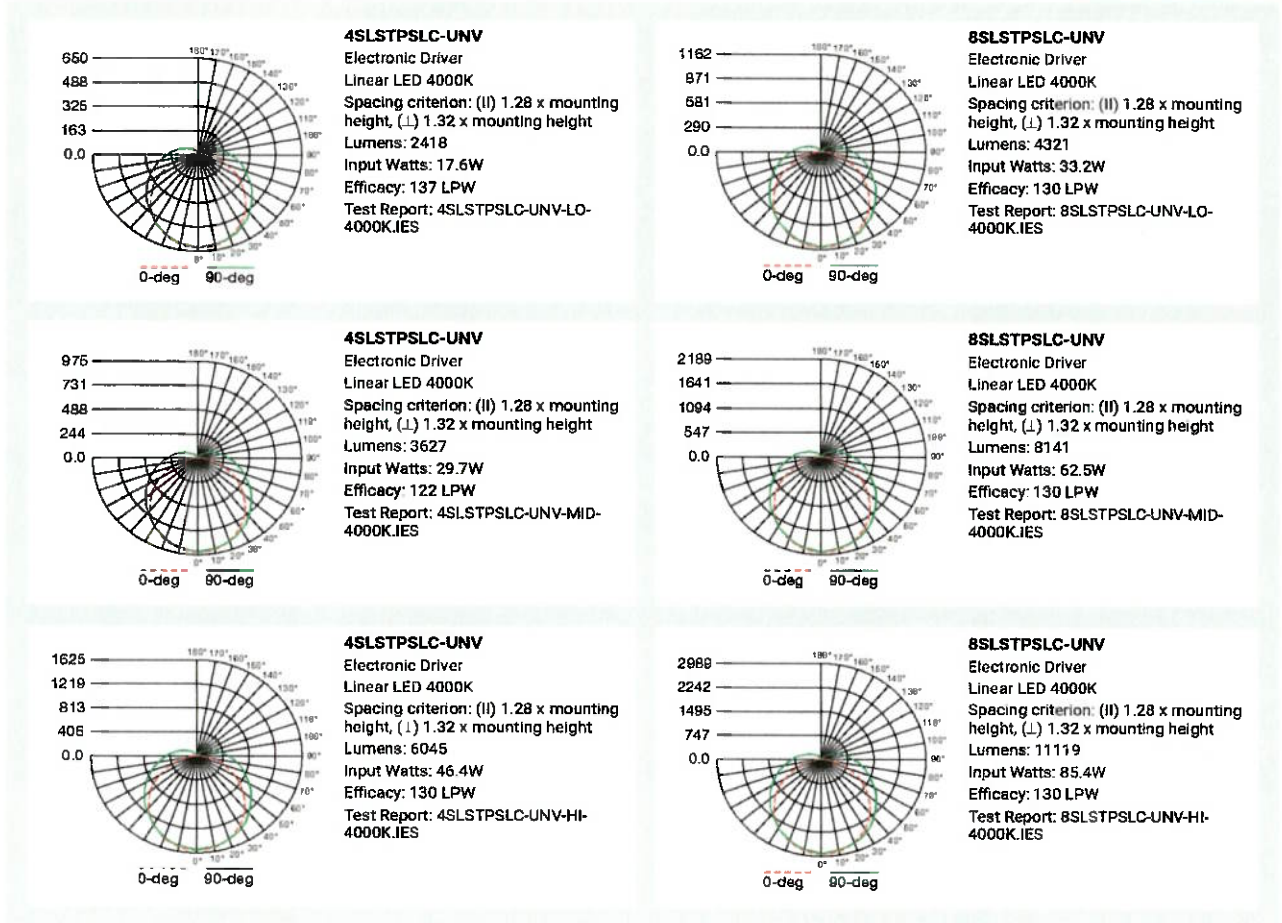
Warranty

- Five year limited warranty

Metalux **SLSTP Lensed**

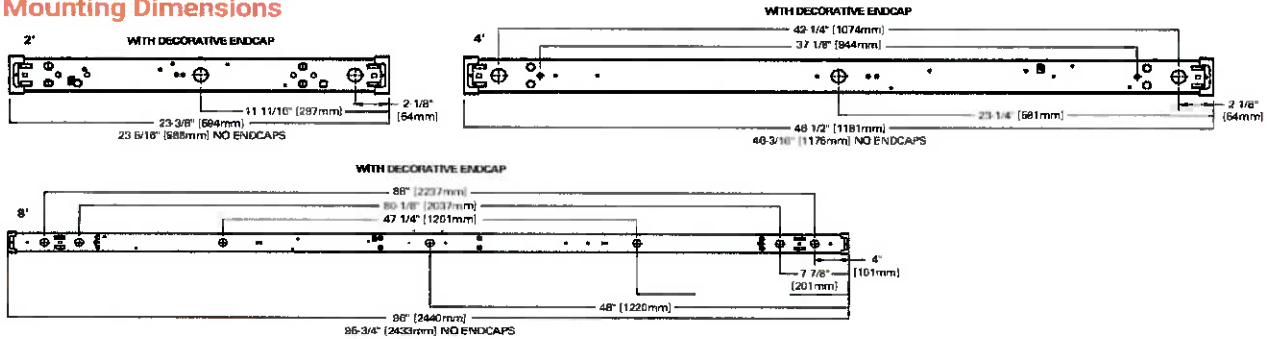
Photometric Data

View IES files

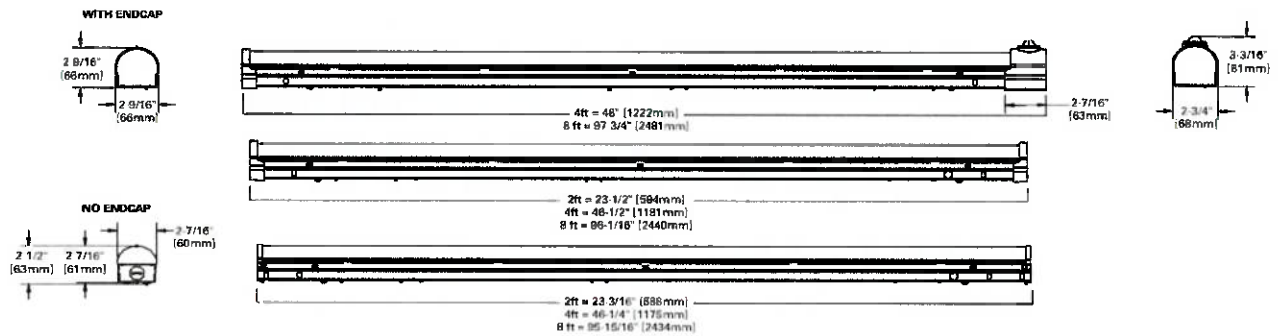


Metalux **SLSTP Lensed**

Mounting Dimensions

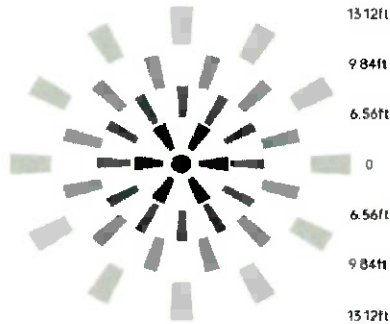


Overall Dimensions

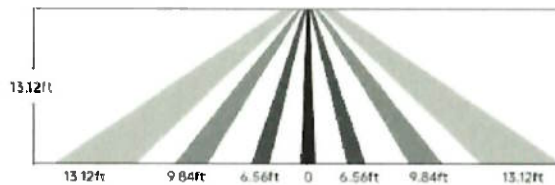


Sensor Coverage (MS Sensor Kit)

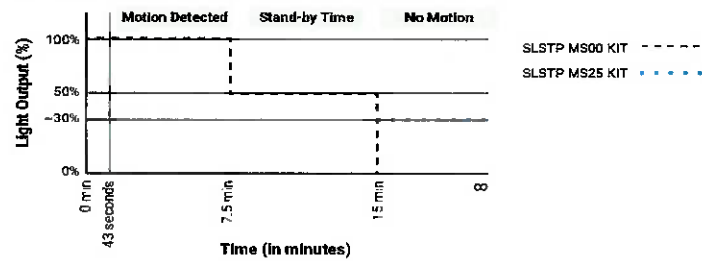
SENSOR COVERAGE PATTERN - TOP VIEW



SIDE VIEW



LIGHT OUTPUT OVER TIME



Cooper Lighting Solutions
 1121 Highway 74 South
 Peachtree City, GA 30069
 P 770-486-4800
 www.cooperlighting.com

© 2024 Cooper Lighting Solutions
 All Rights Reserved
 Specifications and dimensions
 subject to change without notice

PS51969122 page 5
 August 15, 2024 9:53 AM

Project		Catalog #		Type	
Prepared by		Notes		Date	



Metalux

APVT Select

4' and 8' Industrial Vaportite
 CCT and Lumen Select

Typical Applications

• Industrial • Manufacturing • Gymnasium • Warehouse • Parking • Retail

Interactive Menu

- Order Information [page 2](#)
- Energy Data [page 2](#)
- Photometric Data [page 3](#)
- Product Warranty

Product Certification



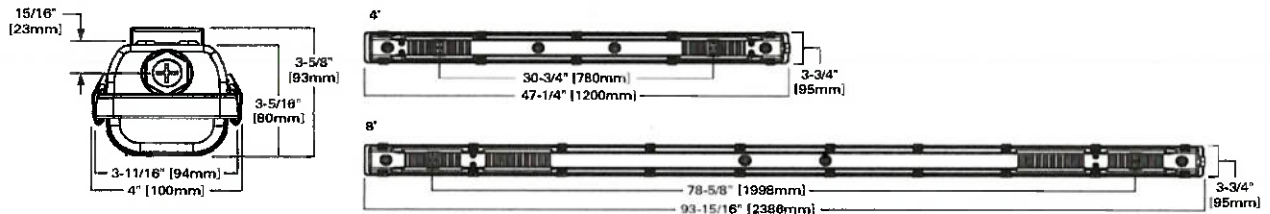
Product Features



Top Product Features

- Lumen and CCT select option provide application versatility
- 2-piece easy access design: captive lens, electrical and housing enclosures
- Impact protection rating IK07 Lens and IK10 Housing
- Available in 4FT & 8FT lengths
- Stainless steel latches, single conduit hub, and mounting included
- Standard 0-10V dimming to 10% for more energy savings
- Emergency and sensor options available for commercial applications

Dimensional Details



Metalux **APVT Select**

Order Information by Catalog Number

Default CCT/Lumen Setting: 4000K / Med Power

Catalog Number	UPC	Lumen Setting	Nominal CCT (K)	120V			277V		
				Nominal Lumens	Watts	Efficacy (lm/W)	Nominal Lumens	Watts	Efficacy (lm/W)
4APVTLD-SL3C3	080083266371	Low Power	3500	3043	21	144	3036	22	140
			4000	3138	21	151	3128	21	147
			5000	2988	22	138	2977	22	134
		Mid Power	3500	4452	32	137	4443	33	137
			4000	4620	32	146	4614	32	145
			5000	4231	33	128	4242	33	127
		High Power	3500	5906	46	127	5911	46	129
			4000	6254	45	139	6241	45	140
			5000	5667	47	120	5531	46	120
8APVTLD-SL3C3	080083266333	Low Power	3500	8726	59	149	8835	60	147
			4000	8591	59	146	8658	60	144
			5000	8379	59	142	8427	60	140
		Mid Power	3500	10483	78	135	10461	78	134
			4000	10321	78	132	10251	78	131
			5000	10066	78	129	9977	78	128
		High Power	3500	11664	94	124	11480	92	125
			4000	11484	94	122	11249	92	122
			5000	11200	94	119	10949	92	119

Factory Installed Option

Catalog Number	Sensor and Emergency
4APVTLD-SL3C3-_____	EL10W=10-watt, 120-277V emergency battery pack installed (3), (4)
8APVTLD-SL3C3-_____	MSWL20=Wet Listed Motion Sensor 360° (3)
	WPS4=WaveLinX Pro Wireless Sensor, Sidecar mount, 1200 sq ft. coverage at 40ft MH (3), (4), (4)
	WLS4=WaveLinX Lite Wireless Sensor, Sidecar mount, 15' - 40' Mounting Height (3), (3), (4)
	WLS2=WaveLinX Lite, Wireless Sensor, Bluetooth Programmable, Sidecar mount, 7' - 15' Mounting (3), (3), (4)

Example: 4APVTLD-SL3C3-EL10

- Notes: (1) IP ratings require fixtures to be mounted horizontally 40C max ambient for EL option.
 (2) WaveLinX Lite devices are not currently compatible with the WaveLinX Pro Wireless Area Controller
 (3) All fixtures with sensor come with two (2) hubs as standard.
 (4) WaveLinX with EL10W available on 8 ft only

Energy Data - 120V

	4'	8'
PF	0.99	0.99
THD %	<15	< 15
Low Temp Start	-20° C	-20° C

Shipping Data

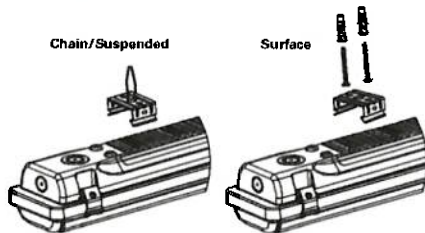
Catalog Base	Wt. (lbs)	Unit per Pallet	Case Pack Qty.
4APVTLD	4.8	100	4
8APVTLD	9.7	70	2

Accessories

Catalog Number	Description
VT2 WATER TIGHT HUB	(1) Water tight hub parts bag
AYC-Chain/Set-U	(2) 36" Chain Hanger (Use 1 set per fixture)
APVT-SS-CLIPS PK	(5) Stainless Steel APVTS replacement clips

Mounting Data

Mounting hardware included with luminaire



IK Rating

APVTS	IK Rating
Lens	IK07
Housing	IK10

Metalux **APVT Select**

Product Specifications

Construction

- High-impact polycarbonate housing with integrated metal gear tray
- Standard housing available with one 1/2" entry point. One conduit hub included with fixture.
- Stainless steel latches secures diffuser tightly for a positive seal between housing and diffuser
- Captive lens and gear tray light engine enclosure drops for easy electrical access by contractor
- Marked KO entry points for continuous feed installation and multiple entry points
- Continuous feed requires additional conduit hub. Order hub separately
- Impact protection rating IK07 Lens and IK10 Housing

Emergency Battery Pack Option

- Factory installed 120V-277V integral emergency battery pack available via mod-shop
- 90-minute backup period for code compliance
- Factory installed integral test switch visible through lens
- Max ambient temp with EL battery pack is 40°C (104°F)

Electrical

- 0-10V dimming, 10% standard
- Driver meets FCC part 15 Class B for use in residential or commercial applications
- Long-Life LED system with an energy-efficient electronic driver comes in 120-277V
- LED's are 80 CRI and CCT Selectable option available for maximum color flexibility: choose from 3500K, 4000K or 5000K
- Lumen select switch provides three lumen package choices (Low, Medium and High) in selectable options
- L70 at >160,000 hours (TM-21)
- Default CCT/Lumen Setting is 4000K and Med Power

Lens

- UV stabilized high-impact polycarbonate lens
- Lens is IK08 rated for impact protection
- Diffuse lens provides medium distribution and general coverage

Controls

- Integral 360° motion sensor, 1200 sq. ft. coverage
- Wavelinx Pro Wireless Sensor provides 1200 sq. ft. coverage for occupancy sensing and daylight harvesting
- Wavelinx Lite Wireless sensor suitable for low or high bay applications up to 40ft (45ft major motion).
- All fixtures with sensor come with two (2) hubs as standard

Mounting

- Includes surface mount clips and v-bracket
- Great for mounting heights between 9 and 12ft high

Warranty

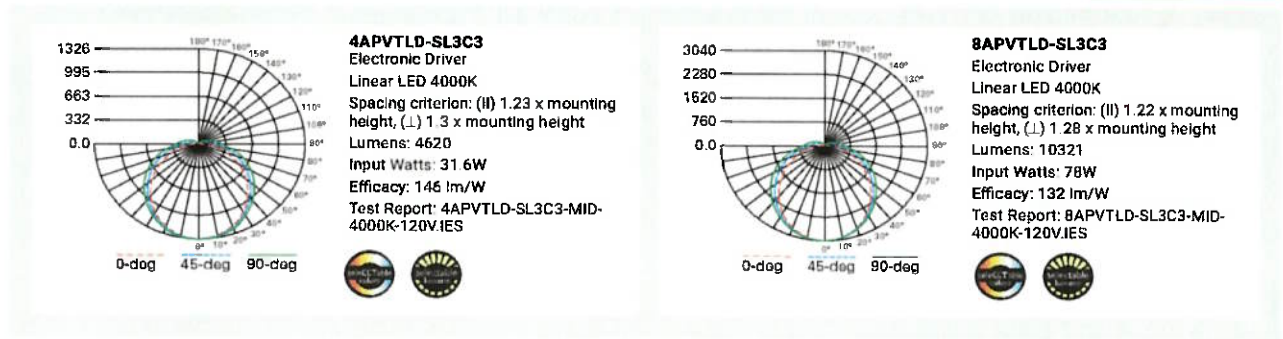
- Five year limited warranty

Compliance

- cULus listed for wet location rated
- Recommended operating ambient temp -20°C to 45°C (-4°F to 113°F)
- LED's comply with IESNA LM-79 and LM-80 standards
- DesignLights Consortium® Qualified and classified for DLC Standard, refer to www.designlights.org for details
- RoHS compliant
- FCC part 15 Class B (residential) compliant with standard 0-10V dimming driver, battery packs excluded
- Not for residential use if emergency battery pack is installed

Photometric Data

[View IES files](#)



Project	Catalog #	Type
Prepared by	Notes	Date



Metalux

APVT Select

4' and 8' Industrial Vaportite
 CCT and Lumen Select

Typical Applications

• Industrial • Manufacturing • Gymnasium • Warehouse • Parking • Retail

Interactive Menu

- Order Information [page 2](#)
- Energy Data [page 2](#)
- Photometric Data [page 3](#)
- Product Warranty

Product Certification



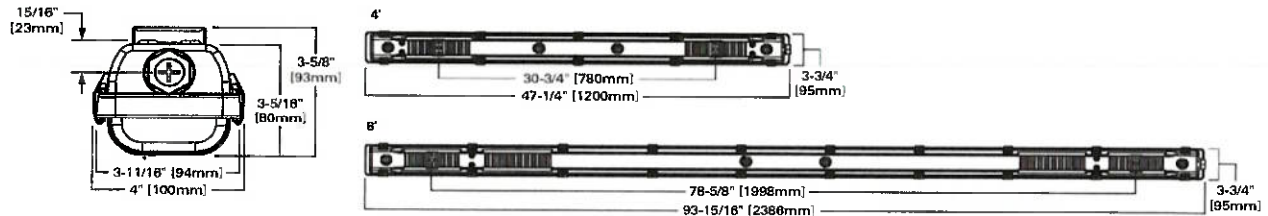
Product Features



Top Product Features

- Lumen and CCT select option provide application versatility
- 2-piece easy access design: captive lens, electrical and housing enclosures
- Impact protection rating IK07 Lens and IK10 Housing
- Available in 4FT & 8FT lengths
- Stainless steel latches, single conduit hub, and mounting included
- Standard 0-10V dimming to 10% for more energy savings
- Emergency and sensor options available for commercial applications

Dimensional Details



Metalux **APVT Select**

Order Information by Catalog Number

Default CCT/Lumen Setting: 4000K / Med Power

Catalog Number	UPC	Lumen Setting	Nominal CCT (K)	120V			277V		
				Nominal Lumens	Watts	Efficacy (lm/W)	Nominal Lumens	Watts	Efficacy (lm/W)
4APVTLD-SL3C3	080083266371	Low Power	3500	3043	21	144	3036	22	140
			4000	3138	21	151	3128	21	147
			5000	2988	22	138	2977	22	134
		Mid Power	3500	4452	32	137	4443	33	137
			4000	4620	32	146	4614	32	145
			5000	4231	33	128	4242	33	127
		High Power	3500	5906	46	127	5911	46	129
			4000	6254	45	139	6241	45	140
			5000	5667	47	120	5531	46	120
8APVTLD-SL3C3	080083266333	Low Power	3500	8726	59	149	8835	60	147
			4000	8591	59	146	8658	60	144
			5000	8379	59	142	8427	60	140
		Mid Power	3500	10483	78	135	10461	78	134
			4000	10321	78	132	10251	78	131
			5000	10066	78	129	9977	78	128
		High Power	3500	11664	94	124	11480	92	125
			4000	11484	94	122	11249	92	122
			5000	11200	94	119	10949	92	119

Factory Installed Option

Catalog Number	Sensor and Emergency
4APVTLD-SL3C3-_____	EL10W=10-watt, 120-277V emergency battery pack installed^{(1),(3),(4)}
8APVTLD-SL3C3-_____	MSWL20= Wet Listed Motion Sensor 360°⁽³⁾ WPS4=WaveLinX Pro Wireless Sensor, Sidecar mount, 1200 sq ft coverage at 40ft MH^{(2),(3),(4)} WLS4=WaveLinX Lite Wireless Sensor, Sidecar mount, 15' - 40' Mounting Height^{(2),(3),(4)} WLS2=WaveLinX Lite, Wireless Sensor, Bluetooth Programmable, Sidecar mount, 7' - 15' Mounting^{(2),(3),(4)}

Example: 4APVTLD-SL3C3-EL10

- Notes:** (1) IP ratings require fixtures to be mounted horizontally 40C max ambient for EL option
 (2) WaveLinX Lite devices are not currently compatible with the WaveLinX Pro Wireless Area Controller.
 (3) All fixtures with sensor come with two (2) hubs as standard
 (4) Wavelinx with EL10W available on 8 ft only.

Energy Data - 120V

	4'	8'
PF	0.99	0.99
THD %	<15	< 15
Low Temp Start	-20° C	-20° C

Shipping Data

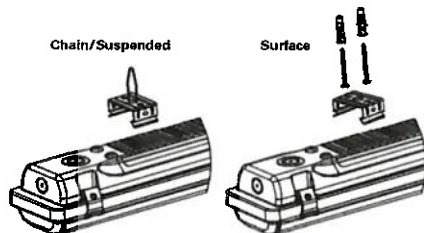
Catalog Base	Wt. (lbs)	Unit per Pallet	Case Pack Qty.
4APVTLD	4.8	100	4
8APVTLD	9.7	70	2

Accessories

Catalog Number	Description
VT2 WATER TIGHT HUB	(1) Water tight hub parts bag
AYC-Chain/Set-U	(2) 36" Chain Hanger (Use 1 set per fixture)
APVT-SS-CLIPS PK	(5) Stainless Steel APVTS replacement clips

Mounting Data

Mounting hardware included with luminaire



IK Rating

APVTS	IK Rating
Lens	IK07
Housing	IK10

Metalux **APVT Select**

Product Specifications

Construction

- High-impact polycarbonate housing with integrated metal gear tray
- Standard housing available with one 1/2" entry point. One conduit hub included with fixture.
- Stainless steel latches secure a diffuser tightly for a positive seal between housing and diffuser
- Captive lens and gear tray light engine enclosure drops for easy electrical access by contractor
- Marked KO entry points for continuous feed installation and multiple entry points
- Continuous feed requires additional conduit hub. Order hub separately
- Impact protection rating IK07 Lens and IK10 Housing

Emergency Battery Pack Option

- Factory installed 120V-277V integral emergency battery pack available via mod-shop
- 90-minute backup period for code compliance
- Factory installed integral test switch visible through lens
- Max ambient temp with EL battery pack is 40°C (104°F)

Electrical

- 0-10V dimming, 10% standard
- Driver meets FCC part 15 Class B for use in residential or commercial applications
- Long-Life LED system with an energy-efficient electronic driver comes in 120-277V
- LED's are 80 CRI and CCT Selectable option available for maximum color flexibility: choose from 3500K, 4000K or 5000K
- Lumen select switch provides three lumen package choices (Low, Medium and High) in selectable options
- L70 at >160,000 hours (TM-21)
- Default CCT/Lumen Setting is 4000K and Med Power

Lens

- UV stabilized high-impact polycarbonate lens
- Lens is IK08 rated for impact protection
- Diffuse lens provides medium distribution and general coverage

Controls

- Integral 360° motion sensor, 1200 sq. ft. coverage
- Wavelinx Pro Wireless Sensor provides 1200 sq. ft. coverage for occupancy sensing and daylight harvesting
- Wavelinx Lite Wireless sensor suitable for low or high bay applications up to 40ft (45ft major motion).
- All fixtures with sensor come with two (2) hubs as standard

Mounting

- Includes surface mount clips and v-bracket
- Great for mounting heights between 9 and 12ft high

Warranty

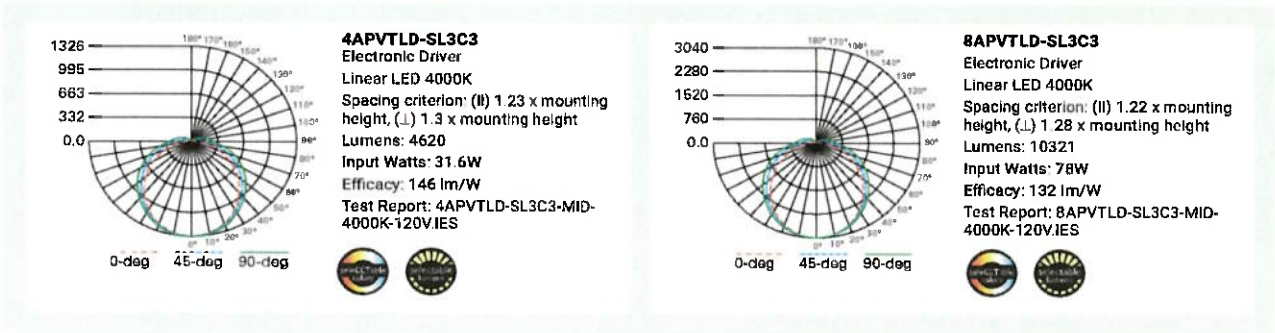
- Five year limited warranty

Compliance

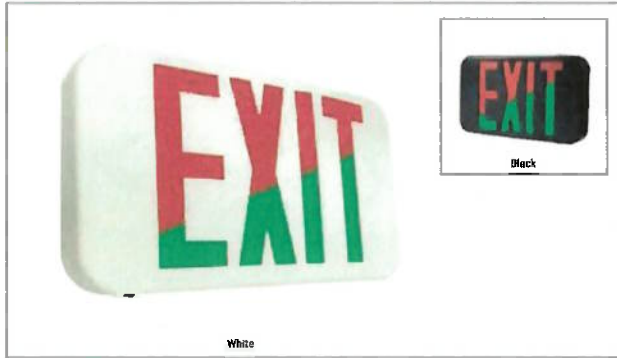
- cULus listed for wet location rated
- Recommended operating ambient temp -20°C to 45°C (-4°F to 113°F)
- LED's comply with IESNA LM-79 and LM-80 standards
- DesignLights Consortium® Qualified and classified for DLC Standard, refer to www.designlights.org for details
- RoHS compliant
- FCC part 15 Class B (residential) compliant with standard 0-10V dimming driver, battery packs excluded
- Not for residential use if emergency battery pack is installed

Photometric Data

[View IES files](#)



Project	Catalog #	Type
Prepared by	Notes	Date



Sure-Lites

All-Pro APX RG Series

LED Exit Sign
 Thermoplastic Housing with Selectable Red or Green Faces
 AC only or Battery Backup Models

Typical Applications
 Office • Education • Healthcare • Hospitality • Retail • Industrial • Manufacturing

Interactive Menu

- Order Information [page 2](#)
- Product Warranty

Product Certification



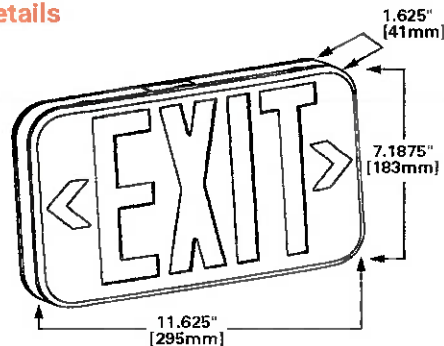
Product Features



Top Product Features

- Field selectable red or green LEDs and inserts for letter color selection
- Field selectable single or double faces with snap-out/snap-in chevrons
- Ceiling, wall or end mount
- Dual voltage input 120/277 VAC, 60Hz
- APX7 battery backup models have maintenance free nickel cadmium batteries
- Universal J-box mounting pattern
- High impact, 5VA flame resistant, UV resistant thermoplastic housing in white or black
- 90 minute run time for battery backup versions if power is lost

Dimensional and Mounting Details



Sure-Lites **APX RG**

Ordering Information

SAMPLE ORDER NUMBER: **APX7RG**

Order Information

Series	Face Options	Letter Color	Housing Color	Catalog Examples
APX6-AC only (no battery)	[Blank]-Universal	RG-Field Selectable Red or Green	[Blank]-White BK-Black	APX6RG, APX6RGBK, APX7RG, APX7RGBK
APX7-Nickel Cadmium battery	[Blank]-Universal	RG-Field Selectable Red or Green	[Blank]-White BK-Black	

Catalog Number	Description	UPC	Case Count	Pallet Quantity
APX6RG	All-Pro Exit, Red Green Selectable, AC Only, White Finish	080083280964	6	270
APX7RG	All-Pro Exit, Red Green Selectable, Nickel Cadmium Battery Backup, White Finish	080083281107	6	270
APX6RGBK	All-Pro Exit, Red Green Selectable, AC Only, Black Finish	080083280988	6	270
APX7RGBK	All-Pro Exit, Red Green Selectable, Nickel Cadmium Battery Backup, Black Finish	080083281121	6	270

Description

The LED APX series is a UL924 code compliant solution for indoor exit requirements. It is available as AC only (APX6) or battery backup (APX7) with a maintenance free nickel cadmium battery. The battery backup version will operate for a minimum of 90 minutes during a power outage.

The APXRG exit series are supplied with both red and green LEDs and red and green face inserts to provide deep letter colors and illumination uniformity. The series are supplied pre-set to red letters and are easily changed to green letters in the field. The APXRG series configurable single or double faces, snap-in/snap-out directional chevrons and universal surface ceiling, wall and end mounting make it a true universal exit solution for stocking and installation needs. The high impact, UV resistant, 5VA flame resistant thermoplastic housings resists discoloration due to age or UV exposure for maximum durability. Housing finishes are available in white or black for multiple design requirements.

Product Specifications

Illumination Source Data

- Long life LEDs provide uniform, diffuse illumination for the EXIT face
- RG models have field selectable red or green LEDs
- Battery backup models (APX7) LED sources are brighter in emergency mode
- LED sources provide low operating costs and no maintenance

Electrical

- Dual Voltage Input 120/277VAC 60Hz
- Solid-State voltage limited charger (APX7)
- Brownout circuit (APX7)
- Test switch / Power indicator light (APX7)

Housing Construction

- All components are injection molded, color stable, high impact, 5VA flame resistant, thermoplastic material
- UV stabilized to resist discoloration due to age and ultraviolet radiation
- APX_RG series LEDs and lens panels are field selectable red or green. APX_RG exits series come with LEDs set to "red" with red inserts installed. The APX_RG series and can be easily converted to "green" LEDs and inserts in the field
- Available in a white or black finish
- Components are of snap-fit construction to facilitate under 5-minute installation
- Reinforcing ribs throughout to provide maximum strength connections

- All components including battery and electronics are located inside the exit housing
- Snap-out or snap-in chevron directional indicators have full 3/4" stroke
- Universal exits can be field configured as single face or double face
- Snap-fit canopy with mounting screws included with all exits
- Exit can be ceiling, wall, or end mounted
- Universal J-box mounting pattern
- Operating temperature range 0°C to 50°C

Solid-State Charger (APX7)

- 120/277 VAC, voltage regulated solid-state charger
- High charge rate immediately following power restoration of AC current after a power failure
- Charge circuit reacts to the condition of the battery and regulates the charging process in order to maintain peak battery capacity and maximize battery life
- Solid-state construction recharges the battery following a power failure in accordance with UL 924

Brownout Circuit (APX7)

- Monitors the flow of AC current
- Activates the emergency lighting system when a predetermined reduction/dip of AC power occurs (a dip in voltage will cause most ballasted products to extinguish, causing loss of normal lighting even though a total power failure has not occurred)

Test Switch/Power Indicator Light (APX7)

- Switch located on the bottom of the exit permits the activation of the emergency circuit for complete operational systems check
- Indicator light provides visual assurance that the AC power is on

Battery

- Sealed nickel cadmium
- Maintenance free, long life
- Full recharge time: 24 hrs (max.)

Code Compliance

- UL 924 Listed
- UL Damp Location Listed
- Life Safety NFPA 101
- NEC/OSHA
- California Energy Code compliant

Lamp Data

- AC LED: Long life LED lamps provide uniform diffused illumination
- DC: LED DC lamps (Brighter in emergency mode, APX7)

Limited Warranty

- Five-year limited warranty
- Seven-year prorated battery limited warranty

Energy and Performance Data

Maximum power consumption under all charge conditions:

Sealed Nickel Cadmium Battery LED Exits - Red/Green Selectable

Input Power	Input Current (Max.)	Power Factor:
120V = 1.34W	120V = 0.092A	120V = >0.122
277V = 3.12W	277V = 0.093A	277V = >0.121

AC Only LED Exits - Red/Green Selectable

Input Power	Input Current (Max.)	Power Factor:
120V = 1.14W	120V = 0.091A	120V = >0.104
277V = 2.72W	277V = 0.090A	277V = >0.109



Cooper Lighting Solutions
1121 Highway 74 South
Peachtree City, GA 30269
P: 770-486-4800
www.cooperlighting.com

© 2022 Cooper Lighting Solutions
All Rights Reserved
Specifications and dimensions
subject to change without notice

P550553023 page 2
November 30, 2022 1:52 PM



FARMHOUSE AT EAST ARGENT

DATA SHEETS

DECORATIVE SCHEDULE

A

B

C

D

E

F

G

H

J

K

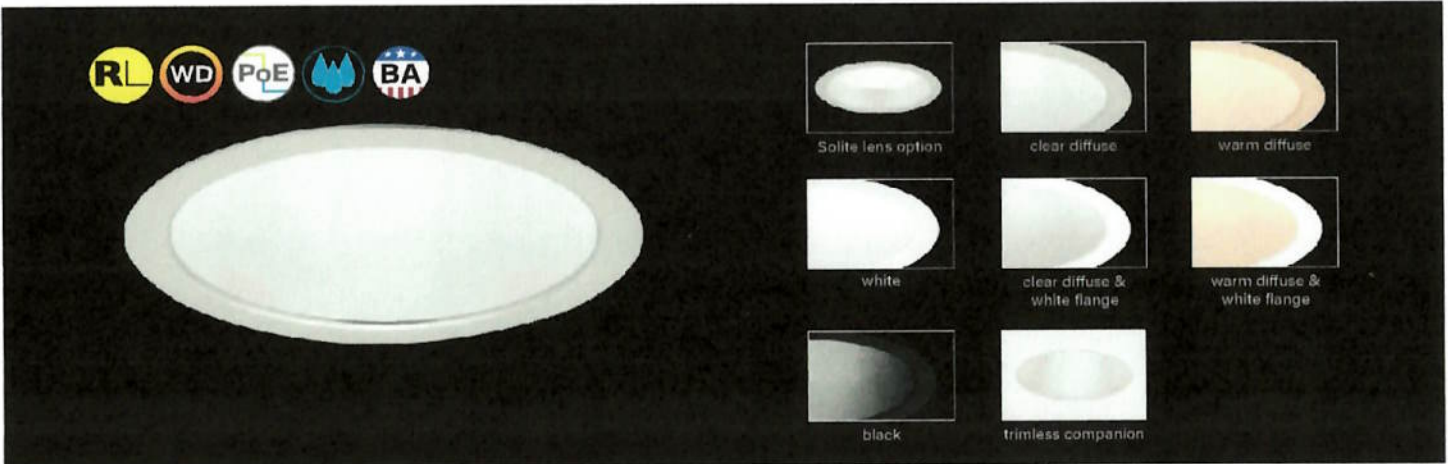
L

CUSTOM W/NO DETAIL ON SCHEDULE QUOTING ALLOWANCE NO SPEC SHEET

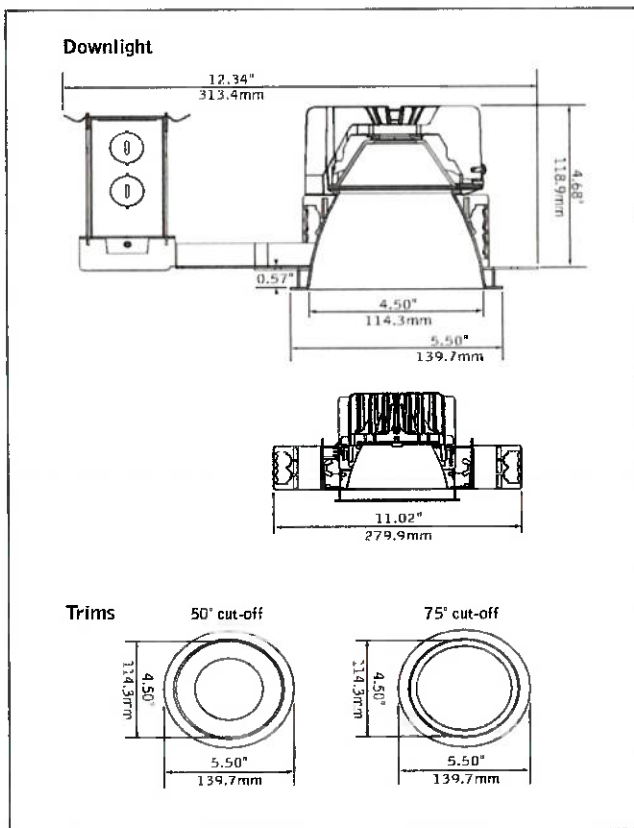
M

ID+ 4.5"

LED DOWNLIGHT



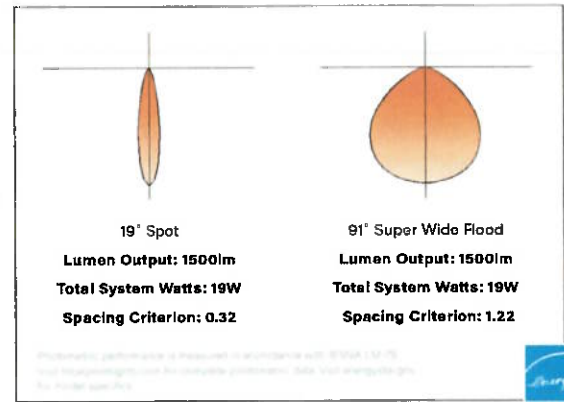
DIMENSIONAL DATA



FEATURES

- Field adjustability of ceiling thickness from 0.5" to 3.0".
- 50° or 75° cutoff to light source and its image.
- Right Light: Standard delivered lumen outputs 1000, 1500, 2000, 2500, and 3000.
- Warm Dim: Lighting that enhances spaces with a warm glow, reminiscent of incandescent or halogen light sources.
- PoE compatible: Integrates with Power over Ethernet lighting systems via standard, low-voltage wires.
- Compatible with common pre-engineered grid ceiling systems requiring luminaires fitting into a 6" slot.
- Available with The Naturals, a series of finishes that exude biophilic beauty.

PERFORMANCE

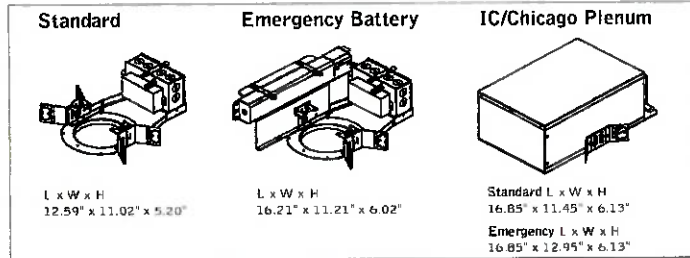


Job Name : FARMHOUSE AT EAST ARGENT - SUBMITTAL BOM
Manufacturer : FOCAL POINT
Model Number : FLC4D-RO-SW-***-UNV-L11-T / LC4-RO-***-***-DN-**-***
Notes : PLEASE SPECIFY OUTPUT, CCT, DISTRIBUTION, FINISH

Type :
A-ALT

FEATURES PRODUCT

HOUSING DETAILS



HOUSING SPECIFICATIONS

Construction

Thermally protected housing for new construction applications. Insulation to be kept 3" away from housing. Type IC inherently protected, suitable for direct contact with insulation. Butterfly brackets allow mounting to 1/2" emt. Order bar hangers as an accessory. Die-cast aluminum heat sink designed for maximum thermal dissipation. Die-formed housing and integral junction box with (7) 1/2" pry-outs. T rated. UL & cUL Listed for (6) #14 AWG (3 in, 3 out) 90°C conductors and feed through-branch wiring. IC/CP housing. UL & cUL Listed for (6) #12 AWG (4 in, 4 out) 90°C conductors and feed through-branch wiring for IC/CP housing. Accommodates ceiling thicknesses up to 0.5" standard, field adjustable up to 3.0" thickness. For thicker ceiling consult factory. Order TZB option for TechZone compatible housing brackets. T rated housing will not exceed 8lb, IC/CP housing will not exceed 12lb.

Electrical

Choice of constant current dimming drivers. Power factor > .9 typical. PoE compatible. Integrates with Power over Ethernet lighting systems via standard, low-voltage wires.

Emergency

Emergency Battery Pack. Bodine BSL17C-C2. Emergency output —7W for 90 minutes. Maximum mounting height: 25.8ft. (Black reflector 18.0ft.) Not wet location or outdoor rated.

Labels

UL and cUL Listed. Suitable for Dry, Damp or Wet Locations, indoor use only. Specify Outdoor rated (OD) for outdoor recessed ceiling applications.

Lumen Maintenance

Reported L70 at >55,000 hours Calculated L70 at 204,000 hours
 L90 at >55,000 hours L90 at 59,000 hours

Derived from EPA TM-21 calculator. Based on typical conditions, consult factory for additional data.

Reliability

At Focal Point, our products are designed to stand the test of time. Each luminaire is engineered using superior components, manufactured with the utmost care and rigorously tested. Contact us for reliability data.

Warranty

LED System rated for operation in ambient environments up to 25°C. 5 year limited warranty. Fixture with Outdoor rated option must be installed in a covered ceiling and is warranted for operation in ambient environments between -20°C to +40°C.

TRIM & LED SPECIFICATIONS

LED System

Proprietary array incorporates premium LEDs on a robust platform. May be specified in 2700K, 3000K, 3500K or 4000K, 80+ CRI or 90+ CRI. 3500K and 4000K with CRI>90 have a cyanosis observation index (COI) of 3.3 or less. Color accuracy with n 2 SDCM. Aluminum heat sink provides appropriate thermal management.

Aesthetics

Parabolic reflector cone ensures glare free optics. Reflector is .050" spun aluminum. Torsion springs pull trim tight to the ceiling with no visible fasteners within the trim. Trims are self-flanged. Non-painted trim matches reflector finish. White or Black painted flange may also be specified. The Naturals 100% low VOC vinyl available with DSS only.

Optics

50-degree or 75-degree cut-off to light source and its image.

Op-tic	Cut-Off Degree	Lumen Output	Distribution Beam Spread Spacing Criteria						
			SP	NFL	FL1	FL2	WFL	VWFL	SWFL
DN	50°	1000-2500	19" .32	24" .42	34" .54	44" .68	59" .92	-	-
		3000	-	25" .42	35" .58	44" .70	60" .94	-	-
DSS	75°	1000-2500	-	-	-	-	-	73" 100	91" 122
		3000	-	-	-	-	-	68" .98	91" 122

PERFORMANCE CHART* - see page 3

Focal Point LLC reserves the right to change specifications for product improvement without notification.

HOUSING ORDERING		FLC4D
Housing Series	4.5" Round Reflector - Airtight	FLC4D
Trim Type	Round Die-Cast Overlap	RO
Color Options	Standard White or Black	
Lumen Output	Warm Dim: 2700K-1800K, 90+ CRI	WDM
Voltage	UNV	UNV
Control System & Dimming Level	0-10V - 0% Dimming	LZ1
Factory Options	Emergency Battery**	EM
Trim & LED Module	4.5" Round Reflector - Airtight	LC4
Aperture	4.5" Round Reflector - Emergency**	LC4EM
Trim Type	Round Die-Cast Overlap	RDD
Lumen Output	1000 Lumens	1000L
	1500 Lumens	1500L
	2000 Lumens	2000L
	2500 Lumens	2500L
	3000 Lumens	3000L
Color Temperature	2700K, 80+ CRI or 90+ CRI	27K or 927K
	3500K, 80+ CRI or 90+ CRI	35K or 935K
	4000K, 80+ CRI or 90+ CRI	40K or 940K
Warm Dim:	2700-1800K, 90+ CRI	92718W
	3000-1800K, 90+ CRI	93018W
Optic	Super Short Cone with Solis Lens 75° cut-off	DSS
Distribution	Spot	SP
	Narrow Flood	NFL
	Flood 1	FL1
	Flood 2	FL2
	Wide Flood	WFL
	Very Wide Flood (DSS Optic only)	VWFL
	Super Wide Flood (DSS Optic only)	SWFL
Color	Black (Black Painted flange only)	BK
	White (White Painted flange only)	WH
Flange Finish	Non-Painted, matches reflector cover	NP
	Black Painted	BP
	White Painted	WP

QS 5/10 DAY** Orders in orange qualify for the Quikship program. All orders 5 day up to 200 pounds except Emergency Battery and 4.5" Round Reflector. Emergency 8-day only.

Job Name : FARMHOUSE AT EAST ARGENT - SUBMITTAL BOM
Manufacturer : FOCAL POINT
Model Number : FLC4D-RO-SW-***-UNV-L11-T / LC4-RO-***-***-DN-**-***
Notes : PLEASE SPECIFY OUTPUT, CCT, DISTRIBUTION, FINISH

Type :
A-ALT

ROUND DOWNLIGHT PERFORMANCE CHART

Lumen Output	Delivered Lumens	System Watts	LPW
1000L	1046	11	92
1500L	1571	19	82
1500L	1433	25	57
2000L	2087	26	82
2000L	2014	37	55
2500L	2523	32	79
3000L	3050	36	84

Based on average CRI value: 900K [92K], 935K [93K], 935K [93K], 935K [93K], 935K [93K], 935K [93K]
 Discounted lumen output may vary +/- 5% Actual wattage may vary +/- 5%

OUTDOOR RATED (OD) DRIVER DIMMING PERFORMANCE CHART

Lumen Output	Minimum Dimming Level
1000L	25%
1500L	16%
2000L	12%
2500L	10%
3000L	10%

ROUND DOWNLIGHT LUMEN MULTIPLIER TABLE

Color Temperature & CRI

Trim Type	Optic	Lumen Output	Color Temperature	Multiplier	
ALL	ALL	ALL	2700K, 80+ CRI [27K]	0.93	
			2700K, 90+ CRI [927K]	0.80	
			3000K, 80+ CRI [30K]	0.97	
			3000K, 90+ CRI [930K]	0.85	
			3500K, 80+ CRI [35K]	1.00	
			3500K, 90+ CRI [935K]	0.83	
			4000K, 80+ CRI [40K]	1.01	
			4000K, 90+ CRI [940K]	0.86	
			1500	2700-1800K, 90+ CRI [92718W]	0.94
			2000		1.01
1500		0.98			
2000	3000-1800K, 90+ CRI [93018W]	1.01			

Distribution

Trim Type	Optic	Distribution	Multiplier	
			1000 - 2500L	3000L
Round Trimless [RT]	Round Downlight with 50° cut-off [DN]	Spot [SP]	1.07	-
		Narrow Flood [NFL]	1.03	1.05
		Flood 1 [FL1]	0.99	1.01
		Flood 2 [FL2]	0.99	0.98
		Wide Flood [WFL]	1.02	1.03
Round Overlap [RO]	Round Downlight with 50° cut-off [DNT]	Spot [SP]	1.07	-
		Narrow Flood [NFL]	1.12	1.11
		Flood 1 [FL1]	1.07	1.01
		Flood 2 [FL2]	1.00	1.02
		Wide Flood [WFL]	1.01	1.02
Round Die-Cast Trimless [RDT]	Super Short Cone with Solite Lens with 75° cut-off [DSS]	Very Wide Flood [VWFL]	0.83	0.84
		Super Wide Flood [SWFL]	0.80	0.81
Round Die-Cast Overlap [RDO]	Super Short Cone with Solite Lens with 75° cut-off [DSS]	Very Wide Flood [VWFL]	0.80	0.83
		Super Wide Flood [SWFL]	0.82	0.82

Color

Trim Type	Optic	Color	Multiplier
Round Trimless [RT] and Round Overlap [RO]	Round Downlight with 50° cut-off [DN]	Clear Diffuse [CD]	1.00
		Warm Diffuse [WD]	0.86
		White [WH]	1.00
		Black [BK]	0.50
Round Die-Cast Trimless [RDT] and Round Die-Cast Overlap [RDO]	Super Short Cone with Solite Lens with 75° cut-off [DSS]	Clear Diffuse [CD]	1.00
		Warm Diffuse [WD]	0.95
		White [WH]	1.10
		Black [BK]	0.85

Multiplier factors are provided to aid with estimating lumen output, gross lumens, beam multipliers applied to listed lumen output to estimate delivered lumens. Refer to 30° beam for most accurate distribution calculations.

How To Use Lumen Multipliers

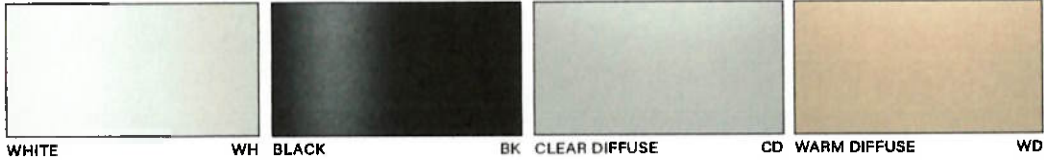
Formula: (Lumen Output Value) x (Color Temperature & CRI) x (Distribution) x (Color)

Example: LC4-RO 2000L-935K-DN-NFL-WH
 (2000) x (0.83) x (1.12) x (1.00) = 1859 lm (estimated delivered lumens)

Finishes



STANDARD FINISHES

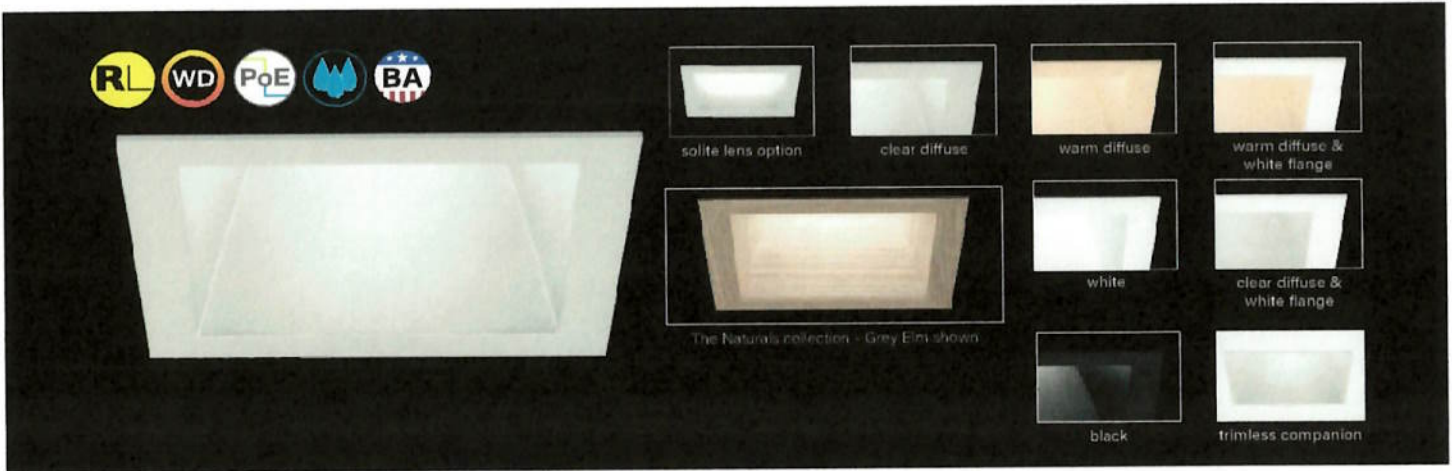


THE NATURALS (25% SCALE) - Available with Super Short Cone (DSS) only

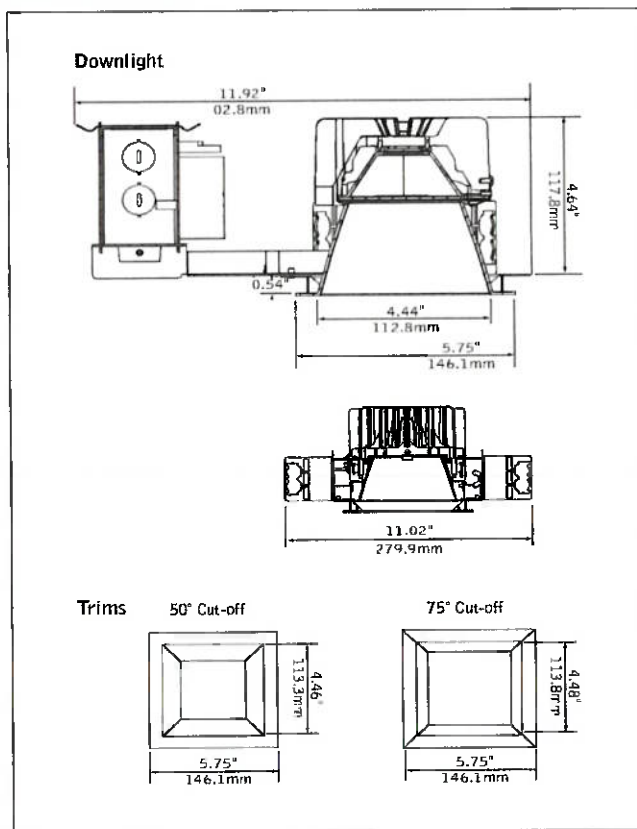


ID+ 4.5" x 4.5"

LED DOWNLIGHT



DIMENSIONAL DATA



FEATURES

Field adjustability of ceiling thickness from 0.5" to 3.0"

50° or 75° cutoff to light source and its image.

Right Light: Standard delivered lumen outputs 1000, 1500, 2000, 2500, and 3000

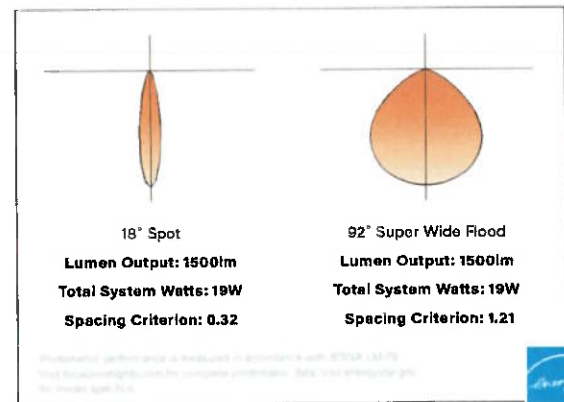
Warm Dim: Lighting that enhances spaces with a warm glow, reminiscent of incandescent or halogen light sources.

PoE compatible: Integrates with Power over Ethernet lighting systems via standard, low-voltage wires

Compatible with common pre-engineered grid ceiling systems requiring luminaires fitting into a 6" slot.

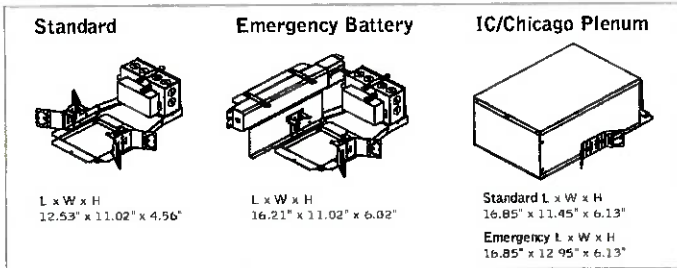
Available with The Naturals, a series of finishes that exude biophilic beauty.

PERFORMANCE



FEATURES: HOUSING OPTIONS:

HOUSING DETAILS



HOUSING SPECIFICATIONS

Construction

Thermally protected housing for new construction applications. Insulation to be kept 3" away from housing. Type IC inherently protected, suitable for direct contact with insulation. Butterfly brackets allow mounting to 1/2" emt. Order bar hangers as an accessory. Die-cast aluminum heat sink designed for maximum thermal dissipation. Die-formed housing and integral junction box with (7) 1/2" pry outs. T-rated, UL & cUL Listed for (6) #14 AWG (3 in, 3 out) 90°C conductors and feed through-branch wiring. IC/CP housing, UL & cUL Listed for (8) #12 AWG (4 in, 4 out) 90°C conductors and feed through-branch wiring for IC/CP housing. Accommodates ceiling thicknesses up to 0.5" standard, field adjustable up to 3.0" thickness. For thicker ceiling consult factory. Order TZB option for TechZone compatible housing brackets. T-rated housing will not exceed 6lb, IC/CP housing will not exceed 12lb.

Electrical

Choice of constant current dimming drivers. Power factor > 9 typical. PoE compatible. Integrates with Power over Ethernet lighting systems via standard, low-voltage wires.

Emergency

Emergency Battery Pack: Bodine BSL17C-C2. Emergency output — 7W for 90 minutes. Maximum mounting height: 25.8ft. (Black reflector: 18.0ft.) Not wet location or outdoor rated.

Labels

UL and cUL Listed. Suitable for Dry, Damp or Wet Locations, indoor use only. Specify Outdoor rated (OD) for outdoor recessed ceiling applications.

Lumen Maintenance

Reported L70 at >55,000 hours Calculated: L70 at 204,000 hours
 L90 at >55,000 hours L90 at 59,000 hours
 Derived from EPA TM-21 calculator. Based on typical conditions, consult factory for additional data.

Reliability

At Focal Point, our products are designed to stand the test of time. Each luminaire is engineered using superior components, manufactured with the utmost care and rigorously tested. Contact us for reliability data.

PLEASE SPECIFY OUTPUT, CCT, DISTRIBUTION, FINISH

Warranty

LED System rated for operation in ambient environments up to 25°C. 5-year limited warranty. Fixture with Outdoor rated option must be installed in a covered ceiling and is warranted for operation in ambient environments between -20°C to +40°C.

TRIM & LED SPECIFICATIONS

LED System

Proprietary array incorporates premium LEDs on a robust platform. May be specified in 2700K, 3000K, 3500K or 4000K, 80+ CRI or 90+ CRI. 3500K and 4000K with CRI>90 have a cyanosis observation index (COI) of 3.3 or less. Color accuracy with n 2 SDCM. Aluminum heat sink provides appropriate thermal management.

Aesthetics

Torsion springs pull single molded die-cast trim tight to the ceiling with no visible fasteners within the trim. The Naturals: 100% low VOC vinyl.

Optics

50-degree or 75-degree cut-off to light source and its image.

Optic	Cut-Off Degree	Lumen Output	Distribution Beam Spread							Spacing Criteria	
			SP	NFL	FL1	FL2	WFL	VWFL	SWFL		
DN	50°	1000-2500	13° 32	23° 40	34° 56	45° 72	52° 88	70° 108	-	-	
		3000	-	25° 43	39° 64	47° 74	52° 86	70° 108	-	-	
DSS	75°	1000-2500	-	-	-	-	-	70° 101	92° 121	-	
		3000	-	-	-	-	-	70° 100	94° 122	-	

PERFORMANCE CHART* - see page 3

Focal Point LLC reserves the right to change specifications for product improvement without notification.

HOUSING ORDERING

Housing Series FLC44D

Trim Type SO

Color Options SW, WDM

Warm Dim (1500 & 2000 lumens only. UNV & EM not available.)

Lumen Output 1000L, 1500L, 2000L, 2500L, 3000L

Voltage 120V, 120V, 277V

Low Voltage LV

Control System & Dimming Level 0-10V - 0% Dimming LZ1, 0-10V - 10% Dimming LD1, Low Voltage, PoE compatible LVN, Forward Phase LFP

Lutron Hi-Lume EcoSystem (LDE1) - 1% Dimming LH1, DALI - 0% Dimming DZ1, DALI - 1% Dimming DT1

Housing Type IC

Factory Options BH, CP, EM, OD, TZB

TRIM & LED MODULE Aperture

4.5" Square Reflector - Airtight LC44AT

4.5" Square Reflector - Emergency** LC44EM

Trim Type SDO

Lumen Output 1000L, 1500L, 2000L, 2500L, 3000L

Color Temperature 2700K, 3000K, 3500K, 4000K, Warm Dim: 2700-1800K, 3000-1800K

Optic DSS

Distribution SP, NFL, FL1, FL2, WFL, VWFL, SWFL

Color WD, BK, WH, BP, WP

QS 5/10 DAY** Delivery in orange qualify for the QuickShip program. All orders 5 day up to 100 pieces except Emergency Battery and 4.5" Square Reflector. Emergency 5-day only.

Job Name : FARMHOUSE AT EAST ARGENT - SUBMITTAL BOM
Manufacturer : FOCAL POINT
Model Number : FLC44D-SO-***-UNV-L11-T / LC44-SDO-***-***-DN-**-***
Notes : PLEASE SPECIFY OUTPUT, CCT, DISTRIBUTION, FINISH

SQUARE DOWNLIGHT PERFORMANCE CHART

Lumen Output	Delivered Lumens	System Watts	LPW
1000L	1016	11	89
1500L	1527	19	80
WD 1500L	1480	25	58
2000L	2026	26	79
WD 2000L	2079	37	57
2500L	2452	32	76
3000L	2941	36	81

Based on average CRI of 90, 2700K, 80 CRI, Wide Flood, Clear Diffuse
 Delivered Lumen Output may vary +/- 5% Actual wattage may vary +/- 5%

OUTDOOR RATED (OD) DRIVER DIMMING PERFORMANCE CHART

Lumen Output	Minimum Dimming Level
1000L	25%
1500L	16%
2000L	12%
2500L	10%
3000L	10%

SQUARE DOWNLIGHT LUMEN MULTIPLIER TABLE

Color Temperature & CRI

Trim Type	Optic	Color Temperature	Multiplier	
ALL	ALL	2700K, 80+ CRI [27K]	0.93	
		2700K, 90+ CRI [927K]	0.75	
		3000K, 80+ CRI [30K]	0.93	
		3000K, 90+ CRI [930K]	0.81	
		3500K, 80+ CRI [35K]	1.00	
		3500K, 90+ CRI [935K]	0.81	
		4000K, 80+ CRI [40K]	1.00	
		4000K, 90+ CRI [940K]	0.87	
		1500	2700-1600K, 90+ CRI [92718W]	0.93
		2000		1.09
1500		0.99		
2000	3000-1800K, 90+ CRI [93018W]	1.04		

Distribution

Trim Type	Optic	Distribution	Multiplier	
			1000 - 2500L	3000L
Square Die-Cast Trimless [SDT]	Downlight with 50° cut-off [DN]	Spot [SP]	1.05	-
		Narrow Flood [NFL]	1.04	1.04
		Flood 1 [FL1]	0.97	0.96
		Flood 2 [FL2]	0.99	0.98
		Wide Flood [WFL]	1.00	1.00
		Very Wide Flood [VWFL]	0.94	0.93
Square Die-Cast Overlap [SDO]	Downlight with 50° cut-off [DN]	Spot [SP]	1.03	-
		Narrow Flood [NFL]	1.02	1.02
		Flood 1 [FL1]	0.96	0.93
		Flood 2 [FL2]	0.97	0.94
		Wide Flood [WFL]	0.98	0.98
		Very Wide Flood [VWFL]	0.90	0.90
Square Die Cast Trimless [SDT]	Super Short Cone with Solite Lens with 75° cut-off [DSS]	Very Wide Flood [VWFL]	0.87	0.88
		Super Wide Flood [SWFL]	0.81	0.84
Square Die-Cast Overlap [SDO]	Super Short Cone with Solite Lens with 75° cut-off [DSS]	Very Wide Flood [VWFL]	0.80	0.82
		Super Wide Flood [SWFL]	0.81	0.75

Color

Trim Type	Optic	Color	Multiplier
Square Die Cast Trimless [SDT] and Square Die Cast Overlap [SDO]	Downlight with 50° cut-off [DN]	Clear Diffuse [CD]	1.00
		Warm Diffuse [WD]	0.84
		White [WH]	1.11
		Black [BK]	0.65
		Clear Diffuse [CD]	1.00
		Warm Diffuse [WD]	1.01
ALL	ALL	White [WH]	1.16
		Black [BK]	0.93
		Woven Linen [WLN]	0.93
		Walnut [WLT]	0.46
		Gray Elm [GRE]	0.72
		Chestnut [CHT]	0.76
		Light Oak [LOK]	0.90

Multipliers are based on a 1000lm output. For example, a 2000lm fixture with a multiplier of 0.81 would have an estimated delivered lumen output of 1620lm. Multipliers may vary +/- 5% for non-standard applications. ©2020 Ardd Winter

How To Use Lumen Multipliers

Formula: (Lumen Output Value) x (Color Temperature & CRI) x (Distribution) x (Color)

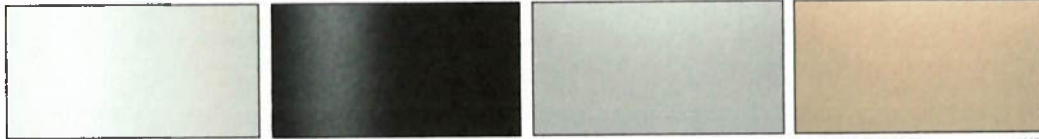
Example: LC44-SDO-2000L 935K DN NFL WH
 (2000) x (0.81) x (1.02) x (1.11) = 1834 lm (estimated delivered lumens)

Finishes



FOCAL POINT

STANDARD FINISHES



WHITE WH BLACK BK CLEAR DIFFUSE CD WARM DIFFUSE WD

THE NATURALS (25% SCALE)

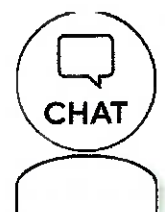


LIGHT OAK LOK GRAY ELM GRE CHESTNUT CHT WALNUT WLT WOVEN LINEN WLN

Lighting > Chandeliers



*Please note: The image shows an approximated representation of the configured product.





@rejuvenation

Be the first to show us how you've styled this item!

See how our customers styled this in their home projects.

+ SUBMIT YOUR PHOTO

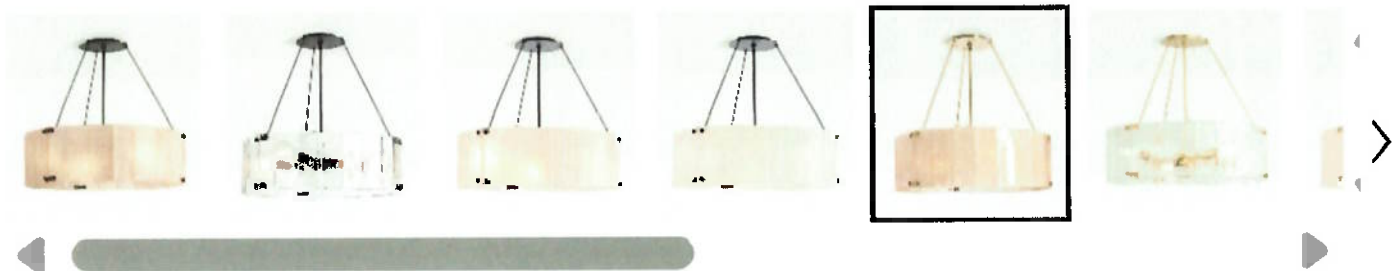
BESTSELLER

Willamette 32" Round Chandelier

\$1,749

24" Diameter 32" Diameter 48" Diameter

Start With A Popular Style



Select Options 1 To 3

Reset

1. **Finish** ⓘ 3 Choices

Aged Brass



2. **Overall Length** Between 28" - 76"

30"



3. Shade 4 Choices

Aged Champagne Fluted Glass



Your Selection Summary

Willamette 32" Round Chandelier

Finish: Aged Brass

[Edit](#)

Overall Length: 30"

[Edit](#)

Shade: Aged Champagne Fluted Glass

[Edit](#)

Overall Width: 31.90"

Your Total:

\$1,749

-	1	+
---	---	---

Delivery Options:

Ship This Item

Arrives Jan. 7 - 9

to 30824

ADD TO CART



See if you're pre-approved – you could earn up to **\$174** (10% back in rewards)¹ today – OR – get **zero interest financing**² with a new Rejuvenation credit card. [Learn More](#)

You May Also Need

Shado Pendant

By SIN

Shado Pendant
By SIN

Product Options

Finish: Sand

Details

Stoneware shade and canopy
Cloth-covered cord
Handcrafted in Brooklyn, New York

Dimensions

Canopy: Height 0.88", Diameter 5"
Fixture: Width 14", Height 8", Depth 5.5"
Maximum Hanging: Length Adjustable From 13",
Adjustable To 132"

Lighting

Lamp Type	LED
Total Lumens	320.0
# of Bulbs	2 (Not Included)
Bulb Type	3W G16 E12
Volts	120
Color Temp	2100 (Warm)
Average Lifespan (Hours)	15,000
CRI	90
Equivalent Halogen, CFL or LED Bulb Can Be Used	Yes



Notes:

Prepared by:

Prepared for:
Project:
Room:
Placement:
Approval:

Additional Details

Product URL:
<https://www.lumens.com/shado-pendant-by-sin-SIN2556386.html>
Rating: UL Listed

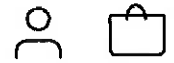
ITEM#: SIN2556386



NOW OFFERING FREE DESIGN HELP | LEARN MORE*



LULU AND GEORGIA



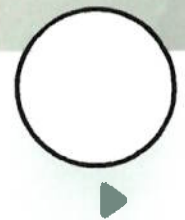
Search for rugs, furniture, and more

Home / Lighting / Ceiling Lighting / Ang Pendant Light

\$1,697



GET 10% OFF



Size: 34"Dia




White Glove Delivery ⓘ

Backordered: until 01/04/26 - 01/18/26 ⓘ

— 1 +

PREORDER

Starting at \$106/mo with **affirm**. [See if you qualify.](#)

 Add To Registry

 Save with our Trade Program

 Get Design Help

Strike a sculptural statement overhead with the Ang pendant light. The woven rattan shade's fluid form catches light from the gold leaf bowl pendant in a beautiful interplay of material and form—a grounding touch of high design.

Details +

Dimensions +

Care +

Shipping + Returns +

- ✦ How heavy is the pendant light?
- ✦ Can this light be used outdoors?
- ✦ What material is the shade made of?
- ✦ What are the dimensions of the pendant?
- ✦ What type of bulb is included?

Ask any question about this product

Powered by  alby

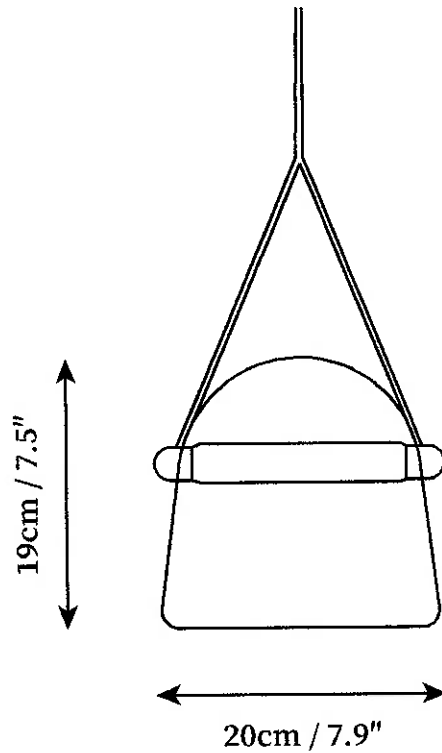
This is an AI assistant and may make mistakes, ensure you verify any important information.

SIMILAR ITEMS

Mona Pendant Lamp



Tel: +1 636-486-6668
Phone: +86 158 8988 8969
www.vakkerlight.com



DESCRIPTION

The Mona collection is based on the concept of penetrating forms. The light source boldly traverses the ample volume of smooth handblown glass to reveal the thrilling tension inherent in the design. The collection's essence, however, lies in its unconventional construction and refined combination of materials. It also boasts tubular LED light sources, each with a different color temperature.

SPECIFICATION DETAILS

*For custom options, consult factory for details

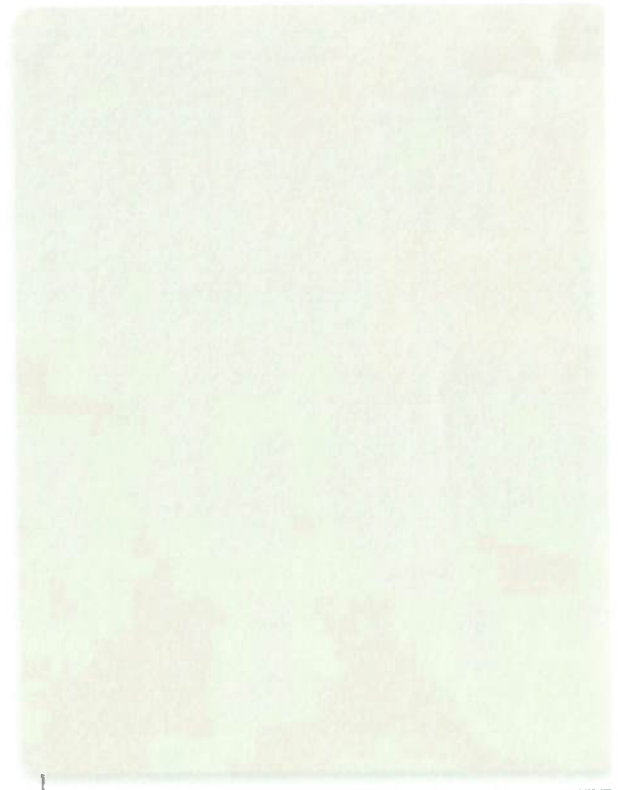
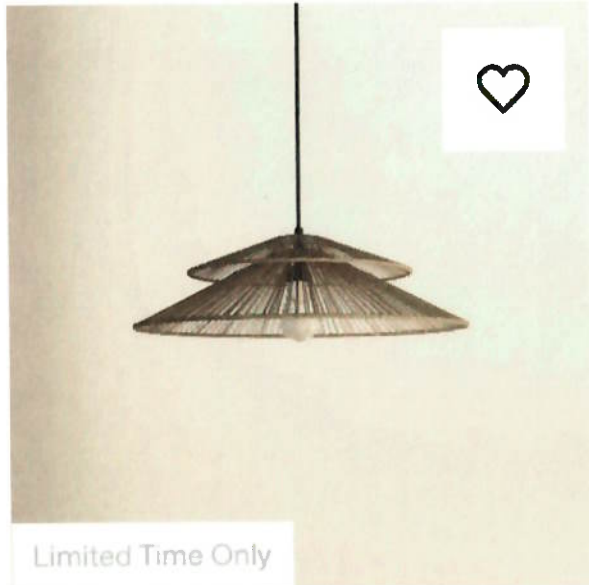
SKU	ML-434-1
Fixture Dimmensions	D 7.9" x H 7.5"
Light source	Integrated LED
Wattage	- 5W
Voltage	AC 110-240V
Dimming	Not supported
CRI(Ra)	90+ CRI
Mounting	Hardwired.
LED Rated Life	30000 hours
Color Temperature	Warm Light (3000K). Neutral Light (4000K), Cool Light (6000K)
Control method	Compatible with common wall switches(not included)
Finishes	Black, White
Shadow Details	Black, White, Gray
Material	Metal, Glass, Belt
Wire Length	We offer 150cm/59"leashes. Can be extended upon request
Warranty	2 Years
Certification	UL, CE, CCC, ETL, SAA






Lighting / Ceiling Lights / Pendant Lighting / SKU: B100000398

Kimi Single Light Dir Pendant



Add

What We Offer

 Professional Installatio
\$168.00

 5 Year Pro
\$37.00



Want 10% Off?

Extended Holiday Return Policy

For all items purchased now through 12/31, the deadline to return has been extended until January 31. Exclusions apply.

[Learn More](#)

Overview

Details

Dimensions

Why We Love It

Bulb included

Height-adjustable

Edison bulb

Dimmable lighting

Sloped ceiling adaptable

Add a graceful and charming focal point to any room with our Kimi pendant light. Crinkled paper is skillfully wrapped around our modern and streamlined pendant. Creating a soft, layered texture, our pendant lends a breezy and charming appeal to any corner. Its black metal hardware creates a striking contrast with the airy and ethereal look of the pendant. Statement-making and generous in size, the pendant can provide a large canopy of light over a dining table, bed, or sitting area.

Compare Similar Items





Lighting / Wall Lights / Wall Sconces / SKU: J110000481



Taj Single Light Stainless Steel Dimmable Flush Mounted Sconce

4.8 [5 Reviews](#)

\$460

As low as \$42/mo. or
or with **affirm**
[Check your buying power](#)

[Free Design Services](#)



Earn **\$23.00** in reward back¹, plus more exclusive offers. [Learn more](#)

Free Delivery

Get it Mon, Jan 5 - Fri, Jan 9 to 30310

Backordered

- 1 +

Add to Cart

What We Offer




Professional Installation



\$168.00



+1 more

 5 Year Protection Pla
\$67.00 (\$13.40/year)

Extended Holiday Return Pol

For all items purchased now thr
December 31, the deadline to re
been extended until January 31.
apply.

[Learn More](#)

Description

Details

Dimensions

Talking Points

**Suitable for use
in areas with
little moisture**

**Hardwired
power source**

Light up the room. This flush-mounted wa
sconce brings a warm glow to your living
room or hallway. Crafted from stainless
steel, it features a marble-like alabaster
shade that diffuses light in an upward
direction, creating a soothing atmosphere
Plus, the geometric shape of the shade ac
a dash of character. This sconce is
hardwired and includes a switch for easy
operation.



Compare Similar Items

ZENLITE® NC2-2G



2" Recessed LED Lighting System for New Construction

Project Name:

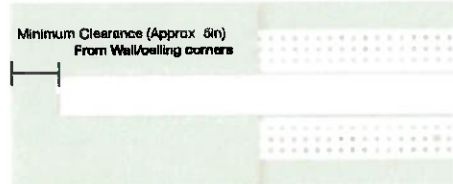
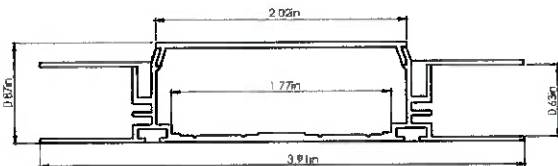
Fixture Type:

DESCRIPTION

ZENLITE® NC2-2G is an LED Lighting System for 5/8" Drywall Walls/Ceilings. Our patent-pending design allows for projection of clean horizontal, vertical, and diagonal lines of light. Channel is installed directly to studs with 16-inch spacing screw holes. The channel has the ability to connect seamlessly with our ZENLITE® NC2 Pendant Mount and Surface Mounted fixtures; allowing for a variety of configurations. To achieve a certain light output, choose between the different available light modules and color temperatures. Light modules are also dimmable when using a dimmable driver. ZENLITE® NC2-2G is a recessed lighting fixture that can create a seamless line of light and has the ability to achieve various patterns/shapes.



DIMENSIONS



Inquire by email for clearances less than 5in and more information

LUMEN OUTPUT PERFORMANCE

Light Module	Lumens/ft
ZGBL	270
ZGBM	544.6

Color Temp	27K	30K	35K	40K
Multiplier	0.82	1	1.13	1.22

Lens	CLNS	DLNS	OLNS
Multiplier	1.13	1	0.74

ORDERING CODE

Example: ZNLT-NC2-2G-PRA-17-2ZGBM-24V-95C-35K-OLNS-MG-ST-RRBX-ENCP

Assembly	Product	Length	Light Module	Cuttable Length	Watts Per Foot	Volt	CRI	Color Temperature	Lens
ZNLT-NC2-2G						24V	95C		
ZNLT-NC2-2G	PRL Preloaded PRA Preassembled UNA Unassembled	XK Length in inches only. Can only be specified to cuttable length of respective light module.	2ZGBM ZIGBEAM 1.2 inch 8.8 W/ft 2ZGBL ZIGBEAM Low 1.2 inch 4 W/ft 2HRGB Hi Beam RGB 3.94 inch 8.8 W/ft 2HRGW Hi Beam RGBW 2.49 inch 11.8 W/ft *			24V - 24V	95C - 95 CRI	27K 2700K 30K 3000K 35K 3500K 40K 4000K	CLNS-2G Clear DLNS-2G Dimmed OLNS-2G Opal
			*95 CRI does not apply/Only comes in 30K and 40K						
Driver			Housing		Feed Options (Beginning)		Feed Options (End)		
MG (1% Magnetic Dimming) ZQ (1% 0-10V Dimming) NN Non Dimming L3 Lutron Hi-lume 1% 3-wire/EcoSystem (40W max.) LP Lutron Hi-lume Premier 0.1% Fade To Black EcoSystem/3-wire			ST Standard (Default) CP Chicago Plenum		BGNM Beginning Module ENDM End Module SDBX Side BX Connector RRBX Rear BX Connector ENCP End Cap		BGNM Beginning Module ENDM End Module SDBX Side BX Connector RRBX Rear BX Connector ENCP End Cap		

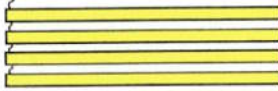
ZENLITE® NC2-2G



PRODUCTION OPTIONS

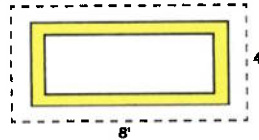
PRELOADED

Channel is preloaded with light module and cut to specific lengths. Exact field measurements must be provided, factory does not take responsibility for field measurement errors.



PREASSEMBLED (8'L x 4'W Maximum)

Fixture is assembled to specific size and shape desired with all components. Only available for certain configurations. Contact factory for more information.



UNASSEMBLED

Each component of fixture is shipped separately and assembled on the field.



SPECIFICATIONS

LED SYSTEM

The LED system consists of five different light modules to choose from; ZGBL, ZGBM, and ZGBC are the world's first miter-able tape light and dimmable using a dimmable driver. They display a clean line of light at the surface of the lens. HRGB and HRGW have the ability to output any color on the color wheel with HRGW having the advantage of being able to also display white light. The light modules are available in four different color temperatures of 2700K, 3000K, 3500K, and 4000K; except for HRGW which is only available in 3000K and 4000K. They have a minimum 95CRI (color rendering index) and have gone through a 3-step binning process.

OPTICS

For this fixture, polycarbonate lens are available in a clear, diffused, or opal finish. The lens are field changeable and are able to run continuously up to 40ft.

ELECTRICAL

There are six available drivers to choose from. All LED drivers are mounted remotely and have 120-277VAC input (L2 driver operates at 120V only).

MG driver is a forward phase dimmer that provides 1% magnetic low voltage (dims down to 1%) and flicker-free dimming.

ZO driver is a driver that provides flicker-free dimming down to 1% using 0-10V dimming, and is IP65 rated for both indoor and outdoor use.

NN driver is a non-dimming, flicker-free driver that is IP65 rated for both indoor and outdoor use.

L3 driver is a 3-Wire driver from Lutron that has Hi-lume 1% EcoSystem and provides continuous and flicker free dimming from 100%-1%

LP driver is a 3-Wire driver from Lutron that has Hi-lume Premier 0.1% FadeToBlack EcoSystem and provides continuous and flicker free dimming down to 0.1% when paired with EcoSystem Lutron controllers.

- FEED: 18" of wire provided with connection to a longer wire inside the beginning module.
- EMERGENCY (Optional): Remote emergency battery pack provides backup power for 90 minutes. Remote emergency test switch included.

MOUNTING

Proprietary design allows the fixture to be mounted directly onto studs first and accommodates 5/8" drywalls or ceilings. Contains prepunched holes spaced 16" apart with the option for additional holes to be drilled into the rear flange for versatility.

CONSTRUCTION

- DIMENSIONS: 3.91"W x .87" H
- HOUSING: Anodized aluminum extrusion cut with high precision equipment with up to 98% reflectivity on the inside. PVC flange with low thermal conductivity to prevent heat from spreading to the surface of the paint/spackle.

LISTING/WARRANTY

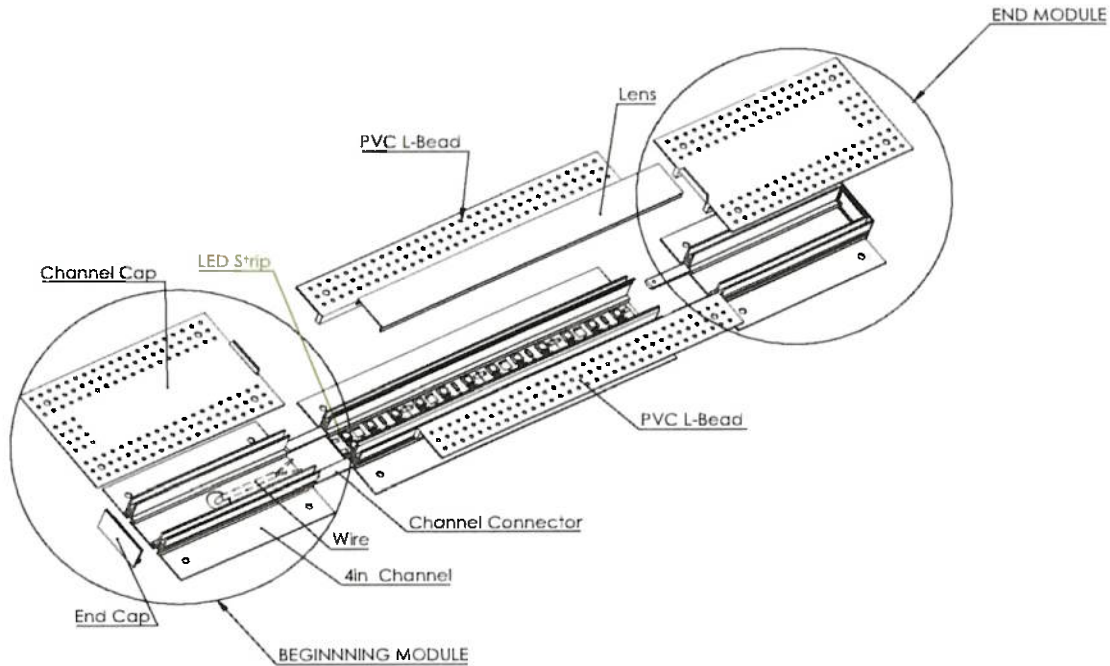
- APPROVALS: UL/C-UL listed for dry and damp locations. IC rated.
- WARRANTY: 5 year limited warranty, ambient temperatures at fixture location should not exceed 40°C during normal operation.
- IP Protection: IP20
- CRI ≥ 95
- 50,000 hours lamp life
- US & International Patents



ZENLITE® NC2-2G

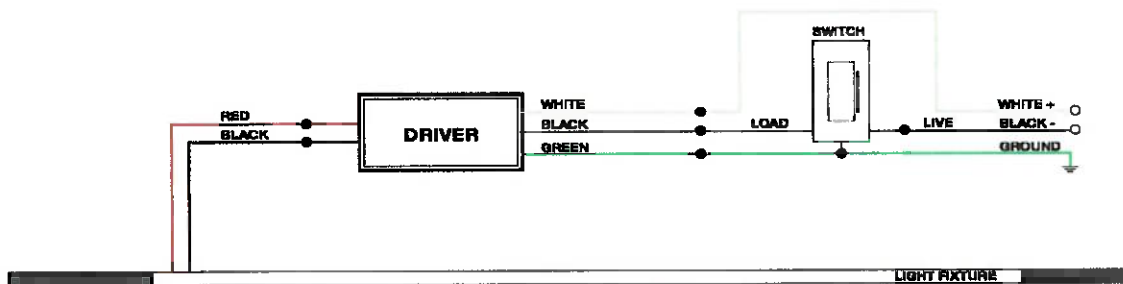


FIXTURE COMPONENTS



WIRING DIAGRAM

Wiring diagram for a typical installation of the light fixture with a compatible driver and switch.

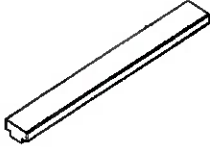


ZENLITE® NC2-2G

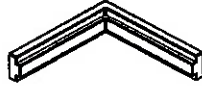


ADDITIONAL COMPONENTS

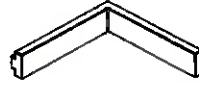
These are the standard components that come with the ZENLITE® Lighting System for 5/8" Drywall.



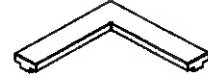
T-shape Connector
Length: 2 inches
Purpose: To connect to straight ZENLITE® Channels
Part #: ZNLT-CNCT-STRT



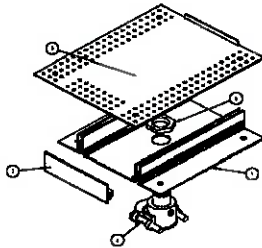
Outside T-shape Connector
Length: 1 x 1 inches
Purpose: To connect to straight ZENLITE® Channels at outside wall corners at 90 deg
Part #: ZNLT-CNCT-OS90



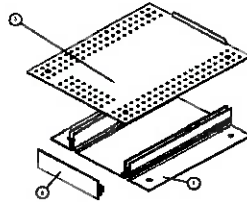
Inside T-shape Connector
Length: 1 x 1 inches
Purpose: To connect to straight ZENLITE® Channels at inside wall corners at 90 deg
Part #: ZNLT-CNCT-IN90



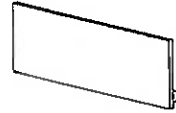
ZIGZAG T-Shape Connector
Length: 1 x 1 inches
Purpose: To connect to straight ZENLITE® Channels trimmed at 45 Degrees to form a 90 Degree bend
Part #: ZNLT-CNCT-ZG90



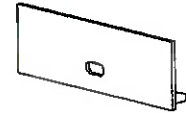
Beginning Module
Length: 5 inches
Purpose: To be attached at the beginning of ZENLITE® channel by means of two T-shape connectors
Sub-Components:
1. 4 in Channel
2. End Cap
3. Channel Cover
4. BX Cable Connector
5. BX Connector Nut
Part #: ZNLT-BGNM-NC2



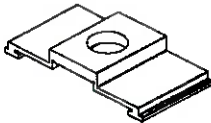
End Module
Length: 5 inches
Purpose: To be attached at the beginning of ZENLITE® channel by means of two T-shape connectors
Sub-Components:
1. 4 in Channel
2. End Cap
3. Channel Cover
Part #: ZNLT-ENDM-NC2



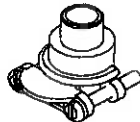
End Cap
Length: 2 inches
Purpose: To be attached at the either end of ZENLITE® channel
Part #: ZNLT-EDCP



End Cap with Hole
Length: 2 inches
Purpose: To be attached at either end of ZENLITE® channel with a hole for lead wire.
Part #: ZNLT-EDCP



BX Module
Length: 2 inches
Purpose: To be attached at any location of the ZENLITE® channel where BX connector is needed
Part #: ZNLT-NC2-BXM

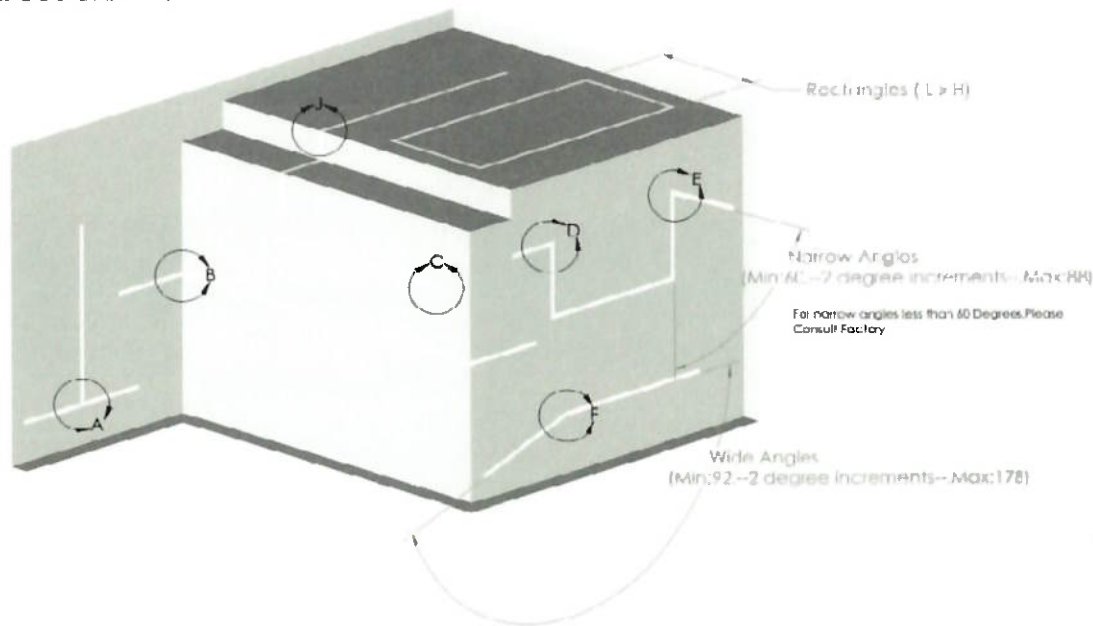


BX Connector
Length: 2 inches
Purpose: To be attached at any location of the ZENLITE® channel for lead wire.
Part #: ZNLT-BX

ZENLITE® NC2-2G



CUSTOM CUT ORDERS



DETAIL A
T-JOINT
TJ



DETAIL B
OUTSIDE CORNER
OC



DETAIL C
STRAIGHT
XX



DETAIL D
RIGHT ANGLE
RA90



DETAIL E
NARROW ANGLE
NAXX



DETAIL F
WIDE ANGLE
WAXXX

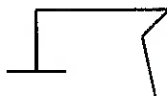


DETAIL J
INSIDE CORNER
IC

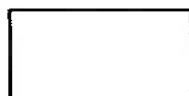
TYPE	DIMENSIONS	QTY
<input type="checkbox"/>	<input type="text"/> <input type="text"/> OR <input type="text"/> x <input type="text"/> <input type="text"/>	<input type="text"/>
<input type="checkbox"/>	<input type="text"/> <input type="text"/> OR <input type="text"/> x <input type="text"/> <input type="text"/>	<input type="text"/>
<input type="checkbox"/>	<input type="text"/> <input type="text"/> OR <input type="text"/> x <input type="text"/> <input type="text"/>	<input type="text"/>
<input type="checkbox"/>	<input type="text"/> <input type="text"/> OR <input type="text"/> x <input type="text"/> <input type="text"/>	<input type="text"/>
<input type="checkbox"/>	<input type="text"/> <input type="text"/> OR <input type="text"/> x <input type="text"/> <input type="text"/>	<input type="text"/>

Note: List the cuts/features in the order of occurrence from left to right. Multiple spec-sheets can be used for multiple custom lengths/shapes. Please consult factory for complex projects

EXAMPLES



TJ-20-RL-30-NL45-15-WL135-20



0-15 X 30 FT

ZENLITE® NC2-2G



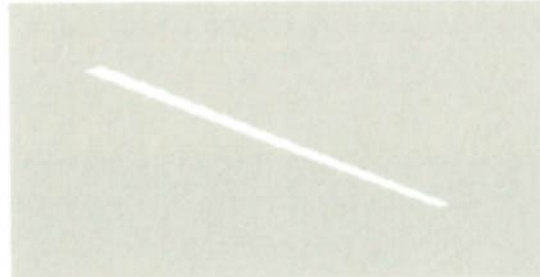
2" Recessed LED Lighting System for New Construction

Project Name:

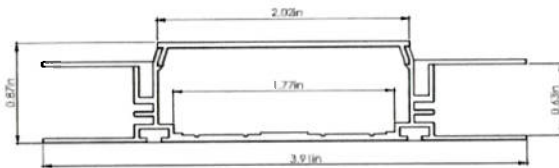
Fixture Type:

DESCRIPTION

ZENLITE® NC2-2G is an LED Lighting System for 5/8" Drywall Walls/Ceilings. Our patent-pending design allows for projection of clean horizontal, vertical, and diagonal lines of light. Channel is installed directly to studs with 16-inch spacing screw holes. The channel has the ability to connect seamlessly with our ZENLITE® NC2 Pendant Mount and Surface Mounted fixtures; allowing for a variety of configurations. To achieve a certain light output, choose between the different available light modules and color temperatures. Light modules are also dimmable when using a dimmable driver. ZENLITE® NC2-2G is a recessed lighting fixture that can create a seamless line of light and has the ability to achieve various patterns/shapes.



DIMENSIONS



Inquire by email for clearances less than 5in and more information

LUMEN OUTPUT PERFORMANCE

Light Module	Lumens/ft
2ZGBL	270
2ZGBM	544.6

Color Temp	27K	30K	35K	40K
Multiplier	0.82	1	1.13	1.22

Lens	CLNS	DLNS	OLNS
Multiplier	1.13	1	0.74

ORDERING CODE

Example: ZNLT-NC2-2G-PRA-10'-2ZGBM-24V-95C-35K-OLNS-MG-ST-RRBX-ENC

Assembly	Product	Length	Light Module	Cuttable Length	Watts Per Foot	Volt	CRI	Color Temperature	Lens
ZNLT NC2-2G						24V	95C		
ZNLT-NC2-2G	PRL Preloaded PRA Preassembled UNA Unassembled	XK Length in inches only. Can only be specified to cuttable length of respective light module.	2ZGBM ZIGBEAM 1.2 inch 8.8 W/ft 2ZGBL ZIGBEAM Low 1.2 inch 4 W/ft 2HRGB HI Beam RGB 3.94 inch 8.8 W/ft 2HRGW HI Beam RGBW 2.48 inch 11.8 W/ft *			24V - 24V	95C ~ 95 CRI	27K 2700K 30K 3000K 35K 3500K 40K 4000K	CLNS-2G Clear DLNS-2G Diamond OLNS-2G Opal
Driver			Housing		Feed Options (Beginning)		Feed Options (End)		
MB (1% Magnetic Dimming) ZO (1% 0-10V Dimming) NN Non Dimming L3 Lutron Hi-lume 1% 3-wire/EcoSystem (40W max.) LP Lutron Hi-lume Premier 0.1% Fade To Black EcoSystem/3 wire			ST Standard (Default) CP Chicago Plenum		BGNM Beginning Module ENDM End Module SDBX Side BX Connector RRBX Rear BX Connector ENCP End Cap		BGNM Beginning Module ENDM End Module SDBX Side BX Connector RRBX Rear BX Connector ENCP End Cap		

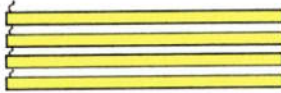
ZENLITE® NC2-2G



PRODUCTION OPTIONS

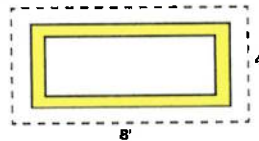
PRELOADED

Channel is preloaded with light module and cut to specific lengths. Exact field measurements must be provided, factory does not take responsibility for field measurement errors.



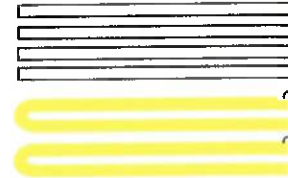
PREASSEMBLED (8'L x 4'W Maximum)

Fixture is assembled to specific size and shape desired with all components. Only available for certain configurations. Contact factory for more information.



UNASSEMBLED

Each component of fixture is shipped separately and assembled on the field.



SPECIFICATIONS

LED SYSTEM

The LED system consists of five different light modules to choose from; ZGBL, ZGBM, and ZGBC are the world's first miter-able tape light and dimmable using a dimmable driver. They display a clean line of light at the surface of the lens. HRGB and HRGW have the ability to output any color on the color wheel with HRGW having the advantage of being able to also display white light. The light modules are available in four different color temperatures of 2700K, 3000K, 3500K, and 4000K; except for HRGW which is only available in 3000K and 4000K. They have a minimum 95CRI (color rendering index) and have gone through a 3-step binning process.

OPTICS

For this fixture, polycarbonate lens are available in a clear, diffused, or opal finish. The lens are field changeable and are able to run continuously up to 40ft.

ELECTRICAL

There are six available drivers to choose from. All LED drivers are mounted remotely and have 120-277VAC input (L2 driver operates at 120V only).

MG driver is a forward phase dimmer that provides 1% magnetic low voltage (dims down to 1%) and flicker-free dimming.

ZO driver is a driver that provides flicker-free dimming down to 1% using 0-10V dimming, and is IP65 rated for both indoor and outdoor use.

NN driver is a non-dimming, flicker-free driver that is IP65 rated for both indoor and outdoor use.

L3 driver is a 3-Wire driver from Lutron that has Hi-lume 1% EcoSystem and provides continuous and flicker free dimming from 100%-1%

LP driver is a 3-Wire driver from Lutron that has Hi-lume Premier 0.1% FadeToBlack EcoSystem and provides continuous and flicker free dimming down to 0.1% when paired with EcoSystem Lutron controllers.

- FEED: 18" of wire provided with connection to a longer wire inside the beginning module.
- EMERGENCY (Optional): Remote emergency battery pack provides backup power for 90 minutes. Remote emergency test switch included.

MOUNTING

Proprietary design allows the fixture to be mounted directly onto studs first and accommodates 5/8" drywalls or ceilings. Contains pre-punched holes spaced 16" apart with the option for additional holes to be drilled into the rear flange for versatility.

CONSTRUCTION

- DIMENSIONS: 3.91"W x .87" H
- HOUSING: Anodized aluminum extrusion cut with high precision equipment with up to 98% reflectivity on the inside. PVC flange with low thermal conductivity to prevent heat from spreading to the surface of the paint/spackle.

LISTING/WARRANTY

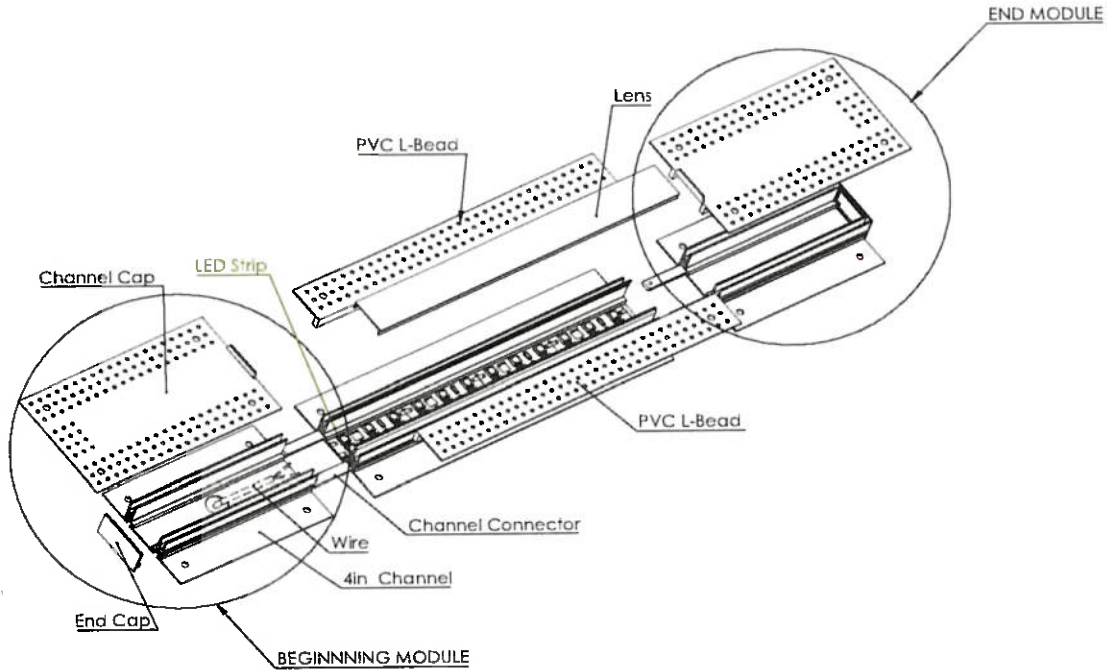
- APPROVALS: UL/C-UL listed for dry and damp locations. IC rated.
- WARRANTY: 5 year limited warranty, ambient temperatures at fixture location should not exceed 40°C during normal operation.
- IP Protection: IP20
- CRI ≥ 95
- 50,000 hours lamp life
- US & International Patents



ZENLITE® NC2-2G

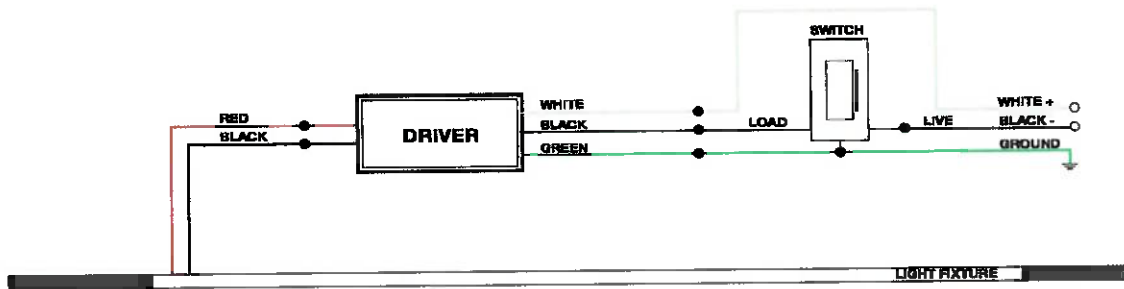


■ FIXTURE COMPONENTS



■ WIRING DIAGRAM

Wiring diagram for a typical installation of the light fixture with a compatible driver and switch.

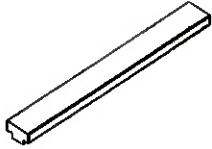


ZENLITE® NC2-2G

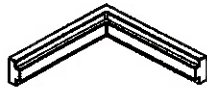


■ ADDITIONAL COMPONENTS

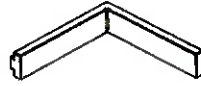
These are the standard components that come with the ZENLITE® Lighting System for 5/8" Drywall.



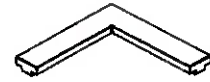
T-shape Connector
 Length: 2 Inches
 Purpose: To connect to straight ZENLITE® Channels
 Part #: ZNLT-CNCT-STRT



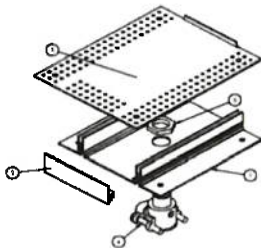
Outside T-shape Connector
 Length: 1 x 1 inches
 Purpose: To connect to straight ZENLITE® Channels at outside wall corners at 90 deg
 Part #: ZNLT-CNCT-OS90



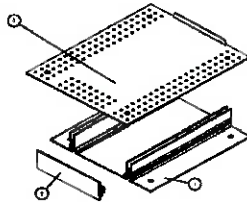
Inside T-shape Connector
 Length: 1 x 1 inches
 Purpose: To connect to straight ZENLITE® Channels at inside wall corners at 90 deg
 Part #: ZNLT-CNCT-IN90



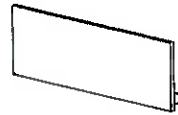
ZIGZAG T-Shape Connector
 Length: 1 x 1 inches
 Purpose: To connect to straight ZENLITE® Channels trimmed at 45 Degrees to form a 90 Degree bend
 Part #: ZNLT-CNCT-ZG90



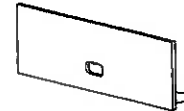
Beginning Module
 Length: 5 inches
 Purpose: To be attached at the beginning of ZENLITE® channel by means of two T-shape connectors
 Sub-Components:
 1. 4 In Channel
 2. End Cap
 3. Channel Cover
 4. BX Cable Connector
 5. BX Connector Nut
 Part #: ZNLT-BGNM-NC2



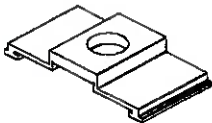
End Module
 Length: 5 inches
 Purpose: To be attached at the beginning of ZENLITE® channel by means of two T-shape connectors
 Sub-Components:
 1. 4 In Channel
 2. End Cap
 3. Channel Cover
 Part #: ZNLT-ENDM-NC2



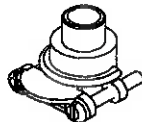
End Cap
 Length: 2 Inches
 Purpose: To be attached at the either end of ZENLITE® channel
 Part #: ZNLT-EDCP



End Cap with Hole
 Length: 2 Inches
 Purpose: To be attached at either end of ZENLITE® channel with a hole for lead wire.
 Part #: ZNLT-EDCP



BX Module
 Length: 2 inches
 Purpose: To be attached at any location of the ZENLITE® channel where BX connector is needed
 Part #: ZNLT-NC2-BXM

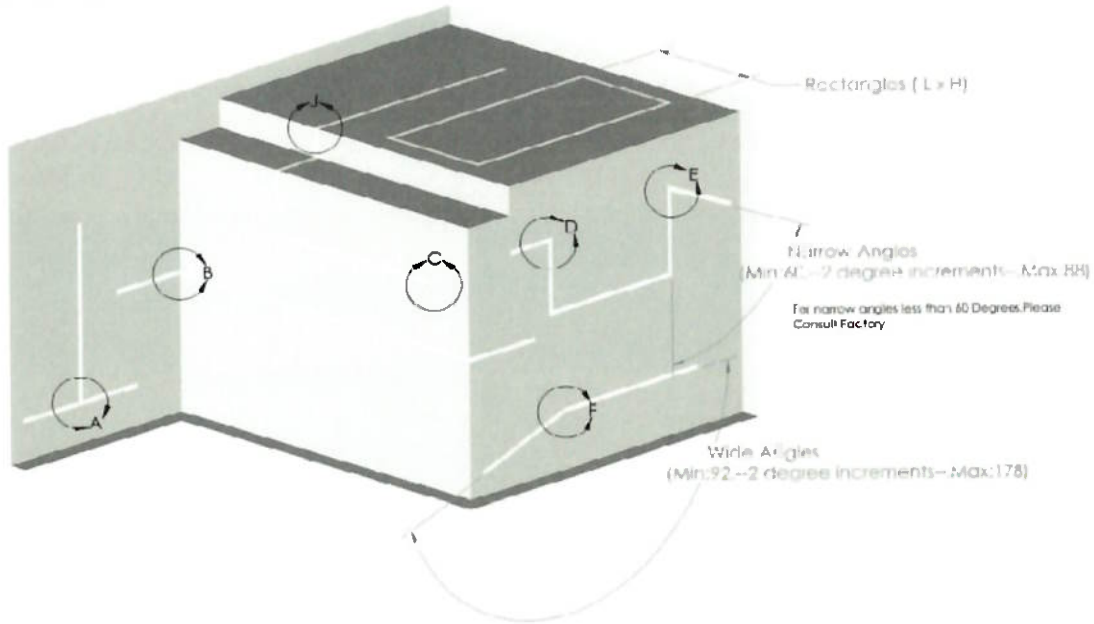


BX Connector
 Length: 2 inches
 Purpose: To be attached at any location of the ZENLITE® channel for lead wire.
 Part #: ZNLT-BX

ZENLITE® NC2-2G



CUSTOM CUT ORDERS



DETAIL A
T-JOINT
TJ



DETAIL B
OUTSIDE CORNER
OC



DETAIL C
STRAIGHT
XX



DETAIL D
RIGHT ANGLE
RA90



DETAIL E
NARROW ANGLE
NAXX



DETAIL F
WIDE ANGLE
WAXXX

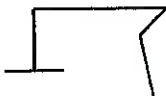


DETAIL J
INSIDE CORNER
IC

TYPE	DIMENSIONS	QTY
<input type="checkbox"/>	<input type="text"/> <input type="text"/> OR <input type="text"/> x <input type="text"/> <input type="text"/>	<input type="text"/>
<input type="checkbox"/>	<input type="text"/> <input type="text"/> OR <input type="text"/> x <input type="text"/> <input type="text"/>	<input type="text"/>
<input type="checkbox"/>	<input type="text"/> <input type="text"/> OR <input type="text"/> x <input type="text"/> <input type="text"/>	<input type="text"/>
<input type="checkbox"/>	<input type="text"/> <input type="text"/> OR <input type="text"/> x <input type="text"/> <input type="text"/>	<input type="text"/>
<input type="checkbox"/>	<input type="text"/> <input type="text"/> OR <input type="text"/> x <input type="text"/> <input type="text"/>	<input type="text"/>

Note: List the cuts/features in the order of occurrence from left to right. Multiple spec-sheets can be used for multiple custom lengths/shapes. Please consult factory for complex projects

EXAMPLES



TJ-20-RL-30-NL45-15-WL135-20



0-15 X 30 FT

ZENLITE® NC2-2G



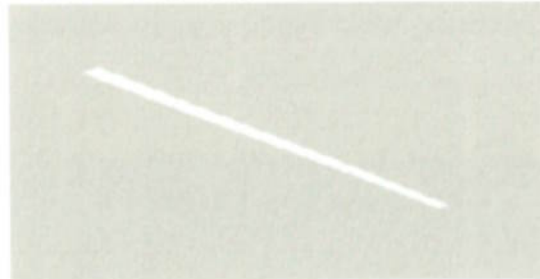
2" Recessed LED Lighting System for New Construction

Project Name:

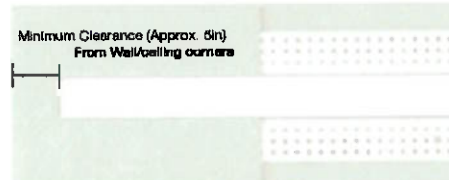
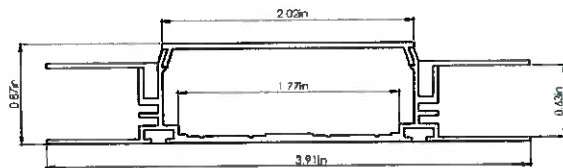
Fixture Type:

DESCRIPTION

ZENLITE® NC2-2G is an LED Lighting System for 5/8" Drywall Walls/Ceilings. Our patent-pending design allows for projection of clean horizontal, vertical, and diagonal lines of light. Channel is installed directly to studs with 16-inch spacing screw holes. The channel has the ability to connect seamlessly with our ZENLITE® NC2 Pendant Mount and Surface Mounted fixtures; allowing for a variety of configurations. To achieve a certain light output, choose between the different available light modules and color temperatures. Light modules are also dimmable when using a dimmable driver. ZENLITE® NC2-2G is a recessed lighting fixture that can create a seamless line of light and has the ability to achieve various patterns/shapes.



DIMENSIONS



Inquire by email for clearances less than 5in and more information

LUMEN OUTPUT PERFORMANCE

Light Module	Lumens/ft
ZZGBL	270
ZZGBM	544.8

Color Temp	27K	30K	35K	40K
Multiplier	0.82	1	1.13	1.22

Lens	CLNS	DLNS	OLNS
Multiplier	1.13	1	0.74

ORDERING CODE

Example: ZNLT-NC2-2G-PRA-15'-2ZGBM-24V-95C-35K-OLNS-MG-ST-RRBX-ENCP

Assembly	Product	Length	Light Module	Cuttable Length	Watts Per Foot	Volt	CRI	Color Temperature	Lens
ZNLT-NC2-2G						24V	95C		
ZNLT-NC2-2G	PRL Preloaded PRA Preassembled UNA Unassembled	XX Length in inches only. Can only be specified to cuttable length of respective light module.	ZZGBM ZIGBEAM 1.2 inch 8.8 W/ft ZZGBL ZIGBEAM Low 1.2 inch 4 W/ft ZHRRGB HI Beam RGB 3.94 inch 8.8 W/ft ZHRRGW HI Beam RGBW 2.48 inch 11.8 W/ft *			24V - 24V	95C - 95 CRI	27K 2700K 30K 3000K 35K 3500K 40K 4000K	CLNS-2G Clear DLNS-2G Diffuse OLNS-2G Opal
Driver			Housing		Feed Options (Beginning)		Feed Options (End)		
MG (1% Magnetic Dimming) ZO (1% 0-10V Dimming) NN Non Dimming LS Lutron Hi-lume 1% 3-wire/EcoSystem (40W max.) LP Lutron Hi-lume Premier 0.1% Fade To Black EcoSystem/3-wire			ST Standard (Default) CP Chicago Pierum		BGNM Beginning Module ENDM End Module SDBX Side BX Connector RRBX Rear BX Connector ENCP End Cap		BGNM Beginning Module ENDM End Module SDBX Side BX Connector RRBX Rear BX Connector ENCP End Cap		

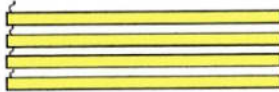
ZENLITE® NC2-2G



PRODUCTION OPTIONS

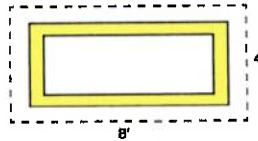
PRELOADED

Channel is preloaded with light module and cut to specific lengths. Exact field measurements must be provided, factory does not take responsibility for field measurement errors.



PREASSEMBLED (8'L x 4'W Maximum)

Fixture is assembled to specific size and shape desired with all components. Only available for certain configurations. Contact factory for more information.



UNASSEMBLED

Each component of fixture is shipped separately and assembled on the field.



SPECIFICATIONS

LED SYSTEM

The LED system consists of five different light modules to choose from; ZGBL, ZGBM, and ZGBC are the world's first miter-able tape light and dimmable using a dimmable driver. They display a clean line of light at the surface of the lens. HRGB and HRGW have the ability to output any color on the color wheel with HRGW having the advantage of being able to also display white light. The light modules are available in four different color temperatures of 2700K, 3000K, 3500K, and 4000K; except for HRGW which is only available in 3000K and 4000K. They have a minimum 95CRI (color rendering index) and have gone through a 3-step binning process.

OPTICS

For this fixture, polycarbonate lens are available in a clear, diffused, or opal finish. The lens are field changeable and are able to run continuously up to 40ft.

ELECTRICAL

There are six available drivers to choose from. All LED drivers are mounted remotely and have 120-277VAC Input (L2 driver operates at 120V only).

MG driver is a forward phase dimmer that provides 1% magnetic low voltage (dims down to 1%) and flicker-free dimming.

ZO driver is a driver that provides flicker-free dimming down to 1% using 0-10V dimming, and is IP65 rated for both indoor and outdoor use.

NN driver is a non-dimming, flicker-free driver that is IP65 rated for both indoor and outdoor use.

L3 driver is a 3-Wire driver from Lutron that has Hi-lume 1% EcoSystem and provides continuous and flicker free dimming from 100%-1%.

LP driver is a 3-Wire driver from Lutron that has Hi-lume Premier 0.1% FadeToBlack EcoSystem and provides continuous and flicker free dimming down to 0.1% when paired with EcoSystem Lutron controllers.

- FEED: 18" of wire provided with connection to a longer wire inside the beginning module.
- EMERGENCY (Optional): Remote emergency battery pack provides backup power for 90 minutes. Remote emergency test switch included.

MOUNTING

Proprietary design allows the fixture to be mounted directly onto studs first and accommodates 5/8" drywalls or ceilings. Contains prepunched holes spaced 16" apart with the option for additional holes to be drilled into the rear flange for versatility.

CONSTRUCTION

- DIMENSIONS: 3.91"W x .87" H
- HOUSING: Anodized aluminum extrusion cut with high precision equipment with up to 98% reflectivity on the inside. PVC flange with low thermal conductivity to prevent heat from spreading to the surface of the paint/spackle.

LISTING/WARRANTY

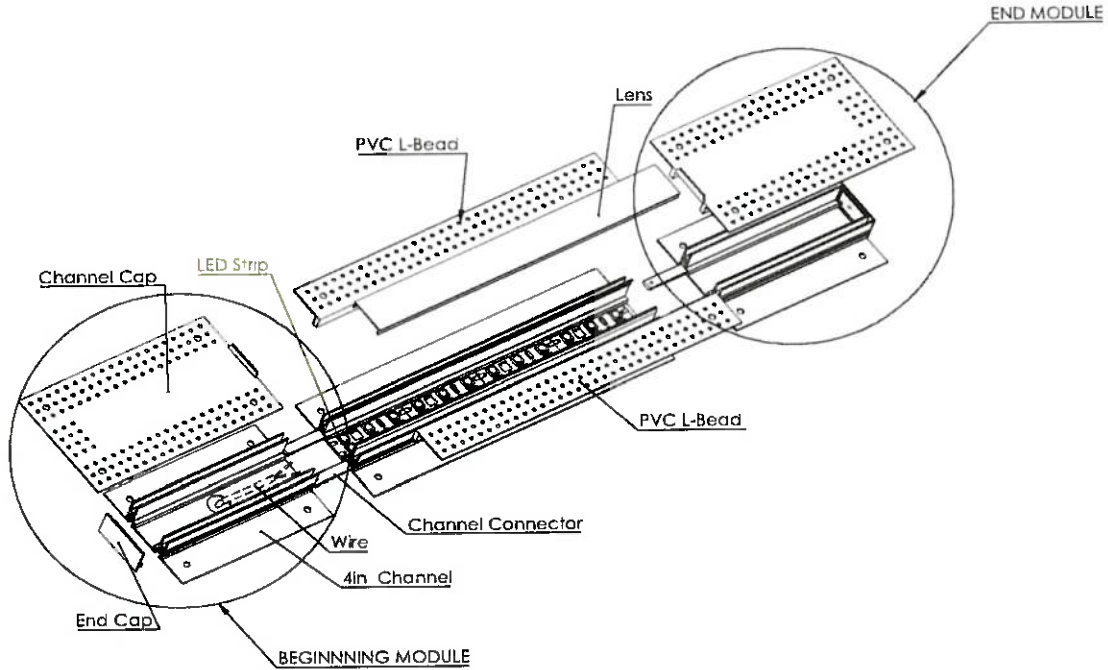
- APPROVALS: UL/C-UL listed for dry and damp locations. IC rated.
- WARRANTY: 5 year limited warranty, ambient temperatures at fixture location should not exceed 40°C during normal operation.
- IP Protection: IP20
- CRI ≥ 95
- 50,000 hours lamp life
- US & International Patents



ZENLITE® NC2-2G

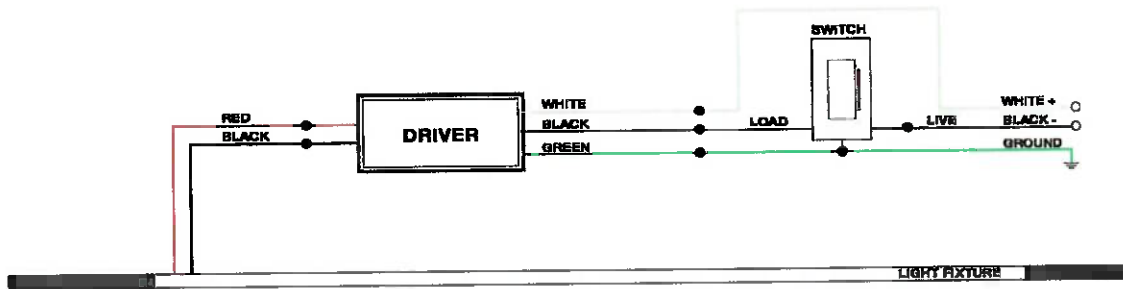


■ FIXTURE COMPONENTS



■ WIRING DIAGRAM

Wiring diagram for a typical installation of the light fixture with a compatible driver and switch.

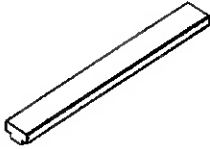


ZENLITE® NC2-2G

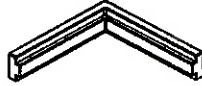


ADDITIONAL COMPONENTS

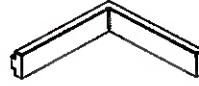
These are the standard components that come with the ZENLITE® Lighting System for 5/8" Drywall.



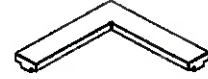
T-shape Connector
Length: 2 inches
Purpose: To connect to straight ZENLITE® Channels
Part #: ZNLT-CNCT-STRT



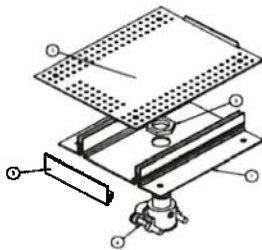
Outside T-shape Connector
Length: 1 x 1 inches
Purpose: To connect to straight ZENLITE® Channels at outside wall corners at 90 deg
Part #: ZNLT-CNCT-OS90



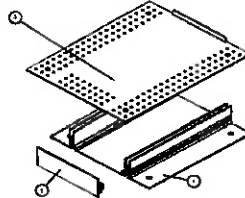
Inside T-shape Connector
Length: 1 x 1 inches
Purpose: To connect to straight ZENLITE® Channels at inside wall corners at 90 deg
Part #: ZNLT-CNCT-IN90



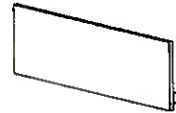
ZIGZAG T-Shape Connector
Length: 1 x 1 inches
Purpose: To connect to straight ZENLITE® Channels trimmed at 45 Degrees to form a 90 Degree bend
Part #: ZNLT-CNCT-ZG90



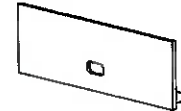
Beginning Module
Length: 5 Inches
Purpose: To be attached at the beginning of ZENLITE® channel by means of two T-shape connectors
Sub-Components:
1. 4 In Channel
2. End Cap
3. Channel Cover
4. BX Cable Connector
5. BX Connector Nut
Part #: ZNLT-BGNM-NC2



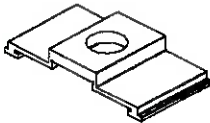
End Module
Length: 5 Inches
Purpose: To be attached at the beginning of ZENLITE® channel by means of two T-shape connectors
Sub-Components:
1. 4 In Channel
2. End Cap
3. Channel Cover
Part #: ZNLT-ENDM-NC2



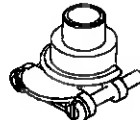
End Cap
Length: 2 Inches
Purpose: To be attached at the either end of ZENLITE® channel
Part #: ZNLT-EDCP



End Cap with Hole
Length: 2 Inches
Purpose: To be attached at either end of ZENLITE® channel with a hole for lead wire.
Part #: ZNLT-EDCP



BX Module
Length: 2 Inches
Purpose: To be attached at any location of the ZENLITE® channel where BX connector is needed
Part #: ZNLT-NC2-BXM

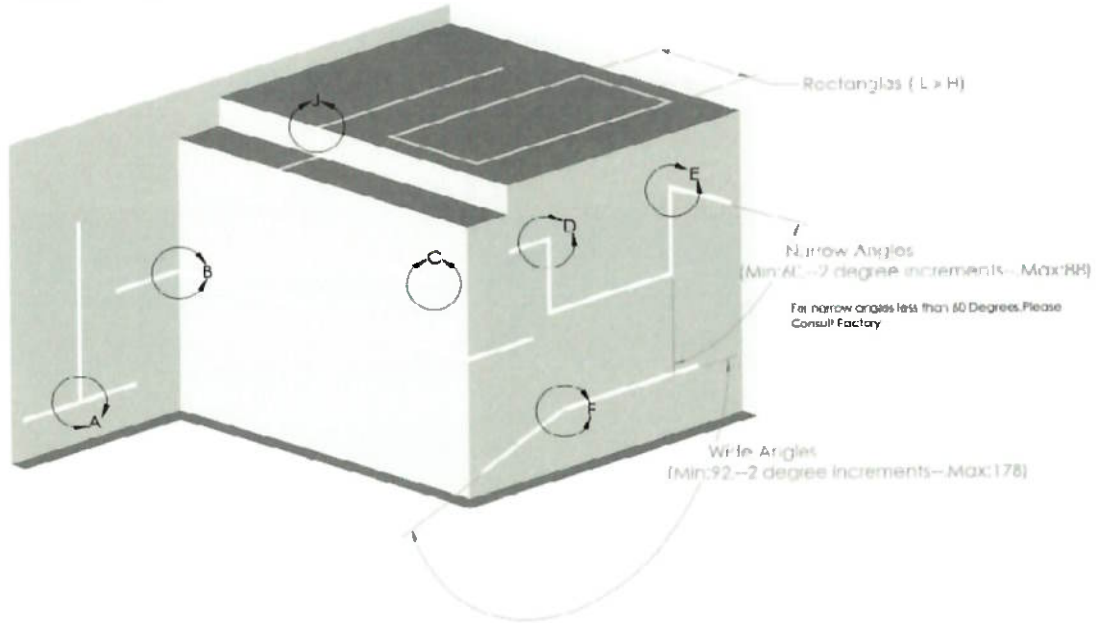


BX Connector
Length: 2 Inches
Purpose: To be attached at any location of the ZENLITE® channel for lead wire.
Part #: ZNLT-BX

ZENLITE® NC2-2G



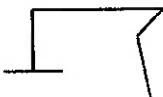
CUSTOM CUT ORDERS



TYPE	DIMENSIONS	QTY
<input type="checkbox"/>	<input type="text"/> <input type="text"/> OR <input type="text"/> x <input type="text"/> <input type="text"/>	<input type="text"/>
<input type="checkbox"/>	<input type="text"/> <input type="text"/> OR <input type="text"/> x <input type="text"/> <input type="text"/>	<input type="text"/>
<input type="checkbox"/>	<input type="text"/> <input type="text"/> OR <input type="text"/> x <input type="text"/> <input type="text"/>	<input type="text"/>
<input type="checkbox"/>	<input type="text"/> <input type="text"/> OR <input type="text"/> x <input type="text"/> <input type="text"/>	<input type="text"/>
<input type="checkbox"/>	<input type="text"/> <input type="text"/> OR <input type="text"/> x <input type="text"/> <input type="text"/>	<input type="text"/>

Note: List the cuts/features in the order of occurrence from left to right. Multiple spec-sheets can be used for multiple custom lengths/shapes. Please consult factory for complex projects

EXAMPLES



TJ-20-RL-30-NL45-15-WL135-20



0-15 X 30 FT

ZENLITE® NC2-2G



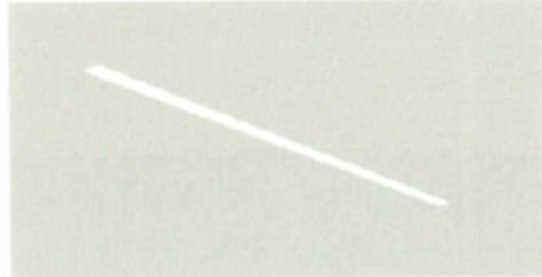
2" Recessed LED Lighting System for New Construction

Project Name:

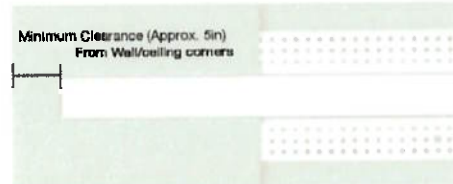
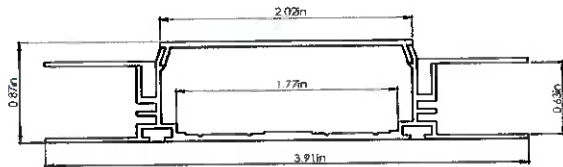
Fixture Type:

DESCRIPTION

ZENLITE® NC2-2G is an LED Lighting System for 5/8" Drywall Walls/Ceilings. Our patent-pending design allows for projection of clean horizontal, vertical, and diagonal lines of light. Channel is installed directly to studs with 16-inch spacing screw holes. The channel has the ability to connect seamlessly with our ZENLITE® NC2 Pendant Mount and Surface Mounted fixtures; allowing for a variety of configurations. To achieve a certain light output, choose between the different available light modules and color temperatures. Light modules are also dimmable when using a dimmable driver. ZENLITE® NC2-2G is a recessed lighting fixture that can create a seamless line of light and has the ability to achieve various patterns/shapes.



DIMENSIONS



Inquire by email for clearances less than 5in and more information

LUMEN OUTPUT PERFORMANCE

Light Module	Lumens/ft
2ZGBL	270
2ZGBM	544.6

Color Temp	27K	30K	35K	40K
Multiplier	0.82	1	1.13	1.22

Lens	CLNS	DLNS	OLNS
Multiplier	1.13	1	0.74

ORDERING CODE

Example: ZNLT-NC2-2G-PRA-17-2ZGBM-24V-95C-35K-OLNS-MG-ST-RRBX-ENCP

Assembly	Product	Length	Light Module	Cuttable Length	Watts Per Foot	Volt	CRI	Color Temperature	Lens
ZNLT-NC2-2G						24V	95C		
ZNLT-NC2-2G	PRL Preloaded PRA Preassembled UNA Unassembled	XK Length in inches only. Can only be specified to cuttable length of respective light module.	2ZGBM ZIGBEAM 1.2 inch 8.8 W/ft 2ZGBL ZIGBEAM Low 1.2 inch 4 W/ft 2HRGB Hi Beam RGB 3.94 inch 8.8 W/ft 2HRGW Hi Beam RGBW 2.49 inch 11.8 W/ft *			24V - 24V	95C ~ 95 CRI	27K 2700K 30K 3000K 35K 3500K 40K 4000K	CLNS-2G Clear DLNS-2G Dimming OLNS-2G Opal
Driver			Housing		Feed Options (Beginning)		Feed Options (End)		
MG (1% Magnetic Dimming) ZO (1% 0-10V Dimming) NN Non Dimming L3 Lutron Hi-lume 1% 3-wire/EcoSystem (40W max.) LP Lutron Hi-lume Premier 0.1% Fade To Black EcoSystem/3-wire			ST Standard (Default) CP Chicago Plenum		BGNM Beginning Module ENDM End Module SDBX Side BX Connector RRBX Rear BX Connector ENCP End Cap		BGNM Beginning Module ENDM End Module SDBX Side BX Connector RRBX Rear BX Connector ENCP End Cap		

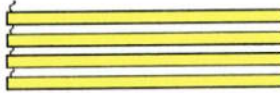
ZENLITE® NC2-2G



PRODUCTION OPTIONS

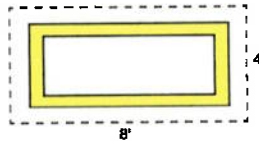
PRELOADED

Channel is preloaded with light module and cut to specific lengths. Exact field measurements must be provided, factory does not take responsibility for field measurement errors.



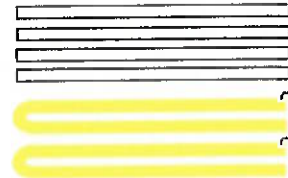
PREASSEMBLED (8'L x 4'W Maximum)

Fixture is assembled to specific size and shape desired with all components. Only available for certain configurations. Contact factory for more information.



UNASSEMBLED

Each component of fixture is shipped separately and assembled on the field.



SPECIFICATIONS

LED SYSTEM

The LED system consists of five different light modules to choose from; ZGBL, ZGBM, and ZGBC are the world's first miter-able tape light and dimmable using a dimmable driver. They display a clean line of light at the surface of the lens. HRGB and HRGW have the ability to output any color on the color wheel with HRGW having the advantage of being able to also display white light. The light modules are available in four different color temperatures of 2700K, 3000K, 3500K, and 4000K; except for HRGW which is only available in 3000K and 4000K. They have a minimum 95CRI (color rendering index) and have gone through a 3-step binning process.

OPTICS

For this fixture, polycarbonate lens are available in a clear, diffused, or opal finish. The lens are field changeable and are able to run continuously up to 40ft.

ELECTRICAL

There are six available drivers to choose from. All LED drivers are mounted remotely and have 120-277VAC Input (L2 driver operates at 120V only).

MG driver is a forward phase dimmer that provides 1% magnetic low voltage (dims down to 1%) and flicker-free dimming.

ZO driver is a driver that provides flicker-free dimming down to 1% using 0-10V dimming, and is IP65 rated for both indoor and outdoor use.

NN driver is a non-dimming, flicker-free driver that is IP65 rated for both indoor and outdoor use.

L3 driver is a 3-Wire driver from Lutron that has Hi-lume 1% EcoSystem and provides continuous and flicker free dimming from 100%-1%

LP driver is a 3-Wire driver from Lutron that has Hi-lume Premier 0.1% FadeToBlack EcoSystem and provides continuous and flicker free dimming down to 0.1% when paired with EcoSystem Lutron controllers.

- FEED: 18" of wire provided with connection to a longer wire inside the beginning module.
- EMERGENCY (Optional): Remote emergency battery pack provides backup power for 90 minutes. Remote emergency test switch included.

MOUNTING

Proprietary design allows the fixture to be mounted directly onto studs first and accommodates 5/8" drywalls or ceilings. Contains prepunched holes spaced 16" apart with the option for additional holes to be drilled into the rear flange for versatility.

CONSTRUCTION

- DIMENSIONS: 3.91"W x .87" H
- HOUSING: Anodized aluminum extrusion cut with high precision equipment with up to 98% reflectivity on the inside. PVC flange with low thermal conductivity to prevent heat from spreading to the surface of the paint/spackle.

LISTING/WARRANTY

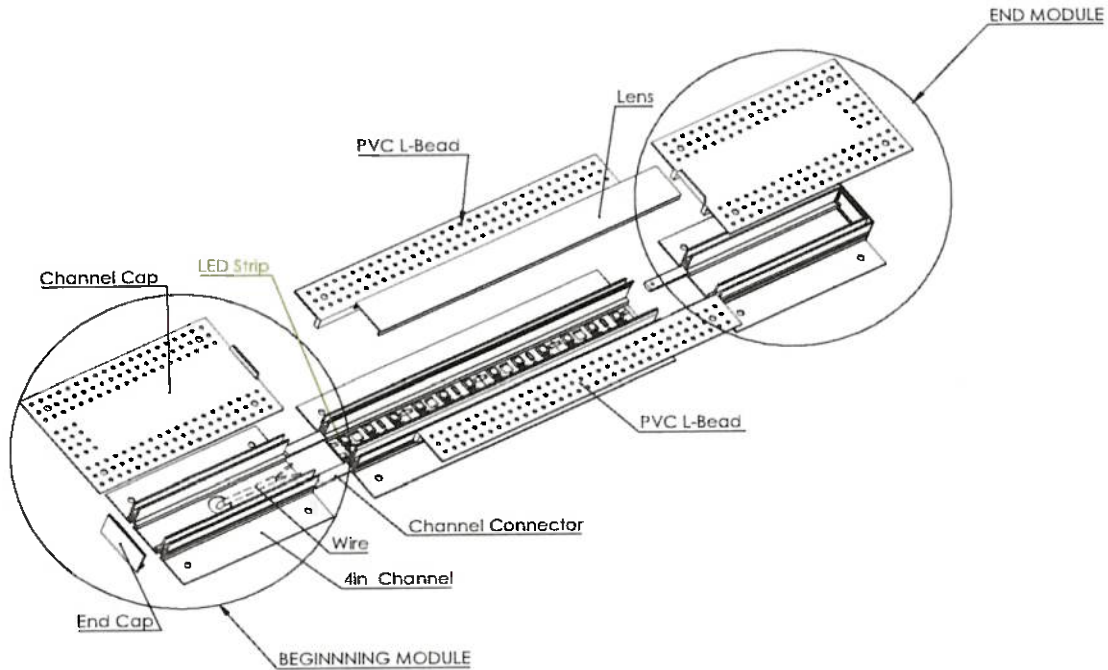
- APPROVALS: UL/C-UL listed for dry and damp locations. IC rated.
- WARRANTY: 5 year limited warranty, ambient temperatures at fixture location should not exceed 40°C during normal operation.
- IP Protection: IP20
- CRI ≥ 95
- 50,000 hours lamp life
- US & International Patents



ZENLITE® NC2-2G

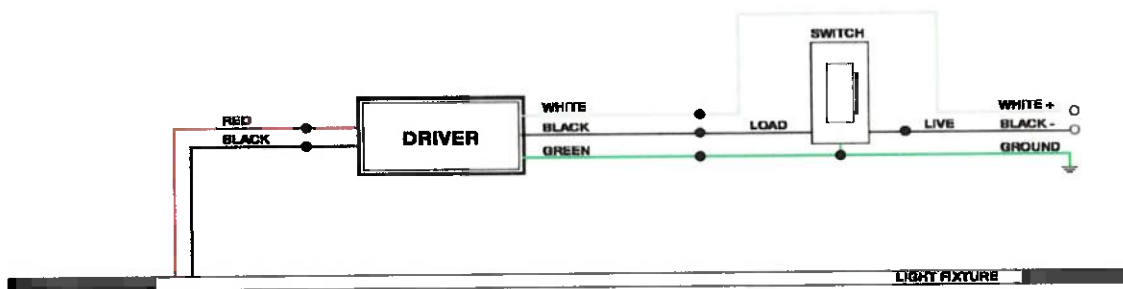


■ FIXTURE COMPONENTS



■ WIRING DIAGRAM

Wiring diagram for a typical installation of the light fixture with a compatible driver and switch.

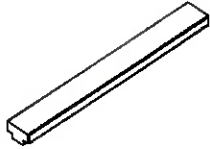


ZENLITE® NC2-2G



ADDITIONAL COMPONENTS

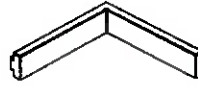
These are the standard components that come with the ZENLITE® Lighting System for 5/8" Drywall.



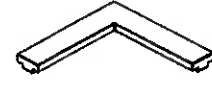
T-shape Connector
 Length: 2 Inches
 Purpose: To connect to straight ZENLITE® Channels
 Part #: ZNLT-CNCT-STRT



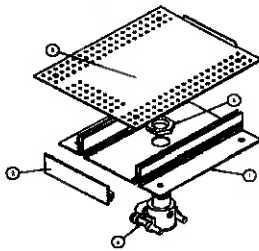
Outside T-shape Connector
 Length: 1 x 1 inches
 Purpose: To connect to straight ZENLITE® Channels at outside wall corners at 90 deg
 Part #: ZNLT-CNCT-OS90



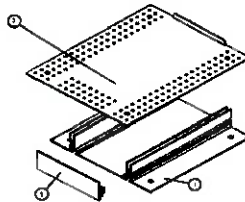
Inside T-shape Connector
 Length: 1 x 1 inches
 Purpose: To connect to straight ZENLITE® Channels at inside wall corners at 90 deg
 Part #: ZNLT-CNCT-IN90



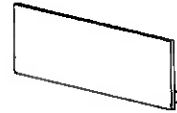
ZIGZAG T-Shape Connector
 Length: 1 x 1 inches
 Purpose: To connect to straight ZENLITE® Channels trimmed at 45 Degrees to form a 90 Degree bend
 Part #: ZNLT-CNCT-ZG90



Beginning Module
 Length: 5 Inches
 Purpose: To be attached at the beginning of ZENLITE® channel by means of two T-shape connectors
 Sub-Components:
 1. 4 In Channel
 2. End Cap
 3. Channel Cover
 4. BX Cable Connector
 5. BX Connector Nut
 Part #: ZNLT-BGNM-NC2



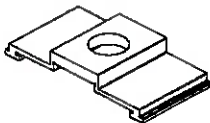
End Module
 Length: 5 Inches
 Purpose: To be attached at the beginning of ZENLITE® channel by means of two T-shape connectors
 Sub-Components:
 1. 4 In Channel
 2. End Cap
 3. Channel Cover
 Part #: ZNLT-ENDM-NC2



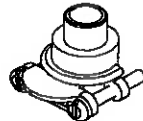
End Cap
 Length: 2 inches
 Purpose: To be attached at the either end of ZENLITE® channel
 Part #: ZNLT-EDCP



End Cap with Hole
 Length: 2 inches
 Purpose: To be attached at either end of ZENLITE® channel with a hole for lead wire.
 Part #: ZNLT-EDCP



BX Module
 Length: 2 inches
 Purpose: To be attached at any location of the ZENLITE® channel where BX connector is needed
 Part #: ZNLT-NC2-BXM

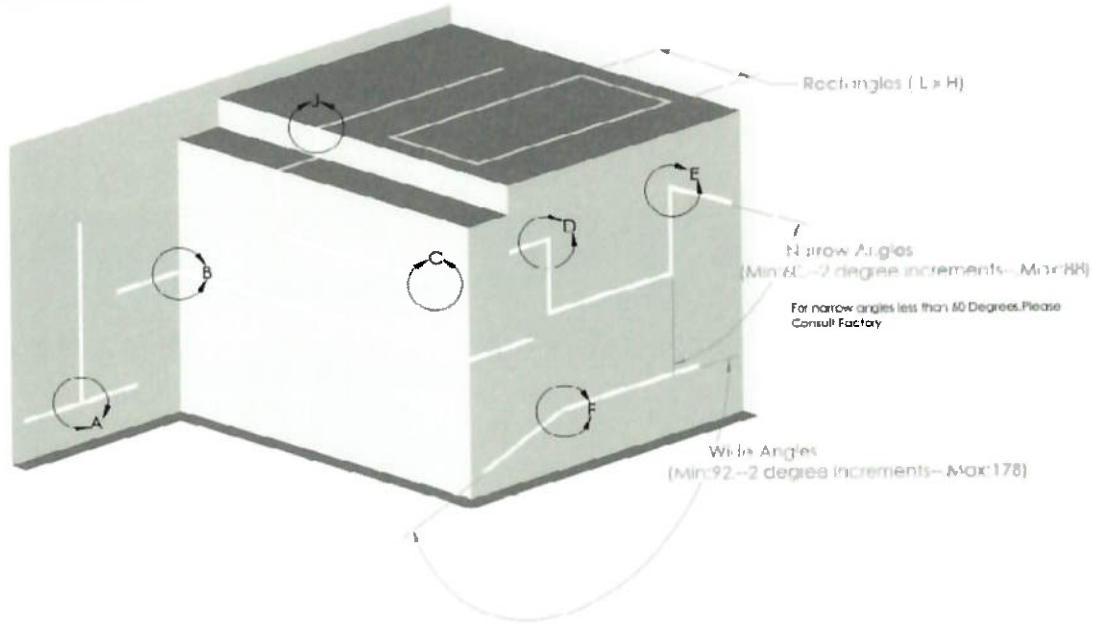


BX Connector
 Length: 2 inches
 Purpose: To be attached at any location of the ZENLITE® channel for lead wire.
 Part #: ZNLT-BX

ZENLITE® NC2-2G



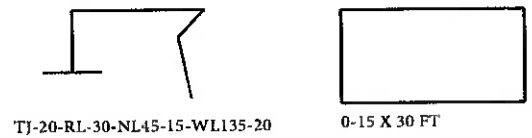
CUSTOM CUT ORDERS



TYPE	DIMENSIONS				QTY
<input type="checkbox"/>	<input type="text"/>	<input type="text"/>	<input type="text"/>	OR <input type="text"/> x <input type="text"/>	<input type="text"/>
<input type="checkbox"/>	<input type="text"/>	<input type="text"/>	<input type="text"/>	OR <input type="text"/> x <input type="text"/>	<input type="text"/>
<input type="checkbox"/>	<input type="text"/>	<input type="text"/>	<input type="text"/>	OR <input type="text"/> x <input type="text"/>	<input type="text"/>
<input type="checkbox"/>	<input type="text"/>	<input type="text"/>	<input type="text"/>	OR <input type="text"/> x <input type="text"/>	<input type="text"/>
<input type="checkbox"/>	<input type="text"/>	<input type="text"/>	<input type="text"/>	OR <input type="text"/> x <input type="text"/>	<input type="text"/>

Note: List the cuts/features in the order of occurrence from left to right. Multiple spec-sheets can be used for multiple custom lengths/shapes. Please consult factory for complex projects

EXAMPLES



ZENLITE® NC2-2G



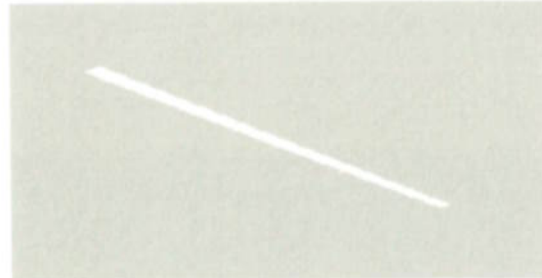
2" Recessed LED Lighting System for New Construction

Project Name:

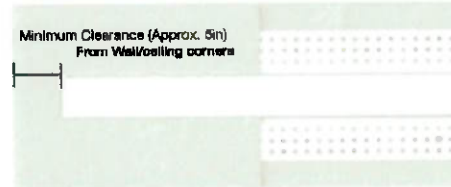
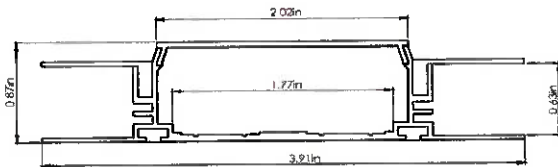
Fixture Type:

DESCRIPTION

ZENLITE® NC2-2G is an LED Lighting System for 5/8" Drywall Walls/Ceilings. Our patent-pending design allows for projection of clean horizontal, vertical, and diagonal lines of light. Channel is installed directly to studs with 16-inch spacing screw holes. The channel has the ability to connect seamlessly with our ZENLITE® NC2 Pendant Mount and Surface Mounted fixtures; allowing for a variety of configurations. To achieve a certain light output, choose between the different available light modules and color temperatures. Light modules are also dimmable when using a dimmable driver. ZENLITE® NC2-2G is a recessed lighting fixture that can create a seamless line of light and has the ability to achieve various patterns/shapes.



DIMENSIONS



Inquire by email for clearances less than 5in and more information

LUMEN OUTPUT PERFORMANCE

Light Module	Lumens/ft
2ZGBL	270
2ZGBM	544.6

Color Temp	27K	30K	36K	40K
Multiplier	0.82	1	1.13	1.22

Lens	CLNS	DLNS	OLNS
Multiplier	1.13	1	0.74

ORDERING CODE

Example: ZNLT-NC2-2G-PRA-17-2ZGBM-24V-95C-35K-OLNS-MG-ST-RRBX-ENCP

Assembly	Product	Length	Light Module Cutable Length Watts Per Foot	Volt	CRI	Color Temperature	Lens		
ZNLT-NC2-2G				24V	95C				
ZNLT-NC2-2G	PRL Preloaded PRA Preassembled UNA Unassembled	XX Length in inches only. Can only be specified to cuttable length of respective light module.	2ZGBM ZIGRFAM 1.2 inch 8.8 W/ft 2ZGBL ZIGBEAM Low 1.2 inch 4 W/ft 2HRGB HI Beam RGB 3.94 inch 8.8 W/ft 2HRGW HI Beam RGBW 2.48 inch 11.8 W/ft *	24V - 24V	95C - 95 CRI	27K 2700K 30K 3000K 35K 3500K 40K 4000K	CLNS-2G Clear DLNS-2G Diffused OLNS-2G Opal		
Driver				Housing		Feed Options (Beginning)		Feed Options (End)	
MR (1% Magnetic Dimming) ZO (1% 0-10V Dimming) NN Non Dimming L3 Lutron Hi-lume 1% 3-wire/EcoSystem (40W max) L4 Lutron Hi-lume Premier 0.1% Fade To Black EcoSystem/3-wire				SY Standard (Default) CP Chicago Plenum		BGNM Beginning Module ENDM End Module SDBX Side BX Connector RRBX Rear BX Connector ENCP End Cap		BGNM Beginning Module ENDM End Module SDBX Side BX Connector RRBX Rear BX Connector ENCP End Cap	

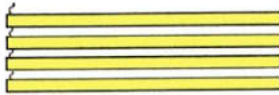
ZENLITE® NC2-2G



PRODUCTION OPTIONS

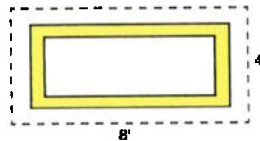
PRELOADED

Channel is preloaded with light module and cut to specific lengths. Exact field measurements must be provided, factory does not take responsibility for field measurement errors.



PREASSEMBLED (8'L x 4'W Maximum)

Fixture is assembled to specific size and shape desired with all components. Only available for certain configurations. Contact factory for more information.



UNASSEMBLED

Each component of fixture is shipped separately and assembled on the field.



SPECIFICATIONS

LED SYSTEM

The LED system consists of five different light modules to choose from; ZGBL, ZGBM, and ZGBC are the world's first miter-able tape light and dimmable using a dimmable driver. They display a clean line of light at the surface of the lens. HRGB and HRGW have the ability to output any color on the color wheel with HRGW having the advantage of being able to also display white light. The light modules are available in four different color temperatures of 2700K, 3000K, 3500K, and 4000K; except for HRGW which is only available in 3000K and 4000K. They have a minimum 95CRI (color rendering index) and have gone through a 3-step binning process.

OPTICS

For this fixture, polycarbonate lens are available in a clear, diffused, or opal finish. The lens are field changeable and are able to run continuously up to 40ft.

ELECTRICAL

There are six available drivers to choose from. All LED drivers are mounted remotely and have 120-277VAC input (L2 driver operates at 120V only).

MG driver is a forward phase dimmer that provides 1% magnetic low voltage (dims down to 1%) and flicker-free dimming.

ZO driver is a driver that provides flicker-free dimming down to 1% using 0-10V dimming, and is IP65 rated for both indoor and outdoor use.

NN driver is a non-dimming, flicker-free driver that is IP65 rated for both indoor and outdoor use.

L3 driver is a 3-Wire driver from Lutron that has Hi-lume 1% EcoSystem and provides continuous and flicker free dimming from 100%-1%

LP driver is a 3-Wire driver from Lutron that has Hi-lume Premier 0.1% FadeToBlack EcoSystem and provides continuous and flicker free dimming down to 0.1% when paired with EcoSystem Lutron controllers.

- FEED: 18" of wire provided with connection to a longer wire inside the beginning module.
- EMERGENCY (Optional): Remote emergency battery pack provides backup power for 90 minutes. Remote emergency test switch included.

MOUNTING

Proprietary design allows the fixture to be mounted directly onto studs first and accommodates 5/8" drywalls or ceilings. Contains prepunched holes spaced 16" apart with the option for additional holes to be drilled into the rear flange for versatility.

CONSTRUCTION

- DIMENSIONS: 3.91"W x .87" H
- HOUSING: Anodized aluminum extrusion cut with high precision equipment with up to 98% reflectivity on the inside. PVC flange with low thermal conductivity to prevent heat from spreading to the surface of the paint/spackle.

LISTING/WARRANTY

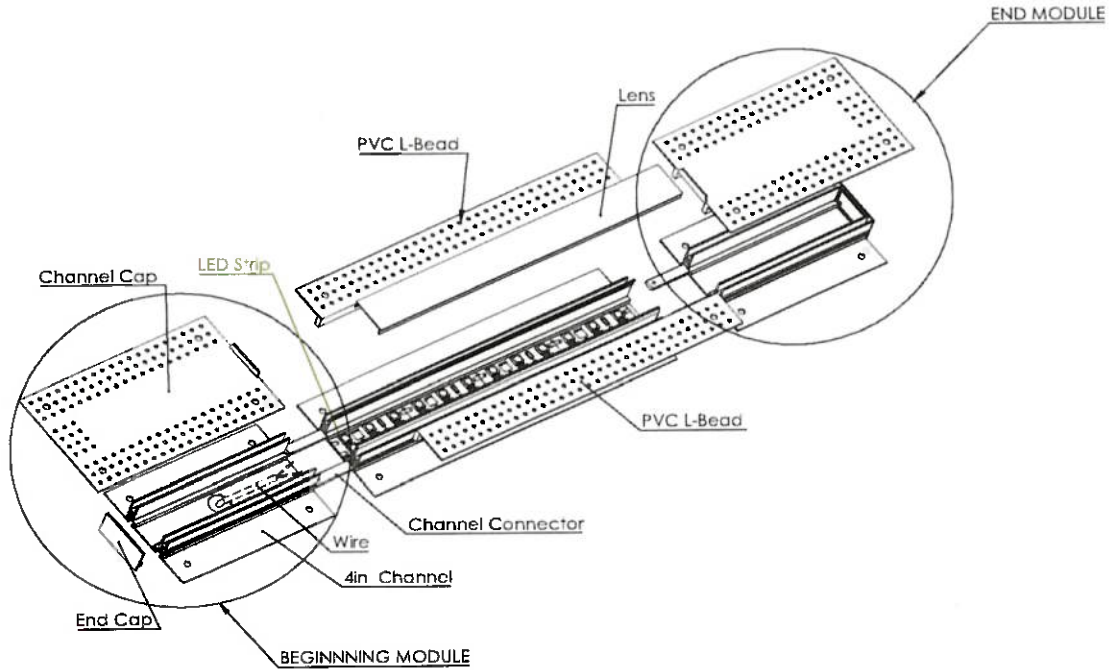
- APPROVALS: UL/C-UL listed for dry and damp locations. IC rated.
- WARRANTY: 5 year limited warranty, ambient temperatures at fixture location should not exceed 40°C during normal operation.
- IP Protection: IP20
- CRI ≥ 95
- 50,000 hours lamp life
- US & International Patents



ZENLITE® NC2-2G

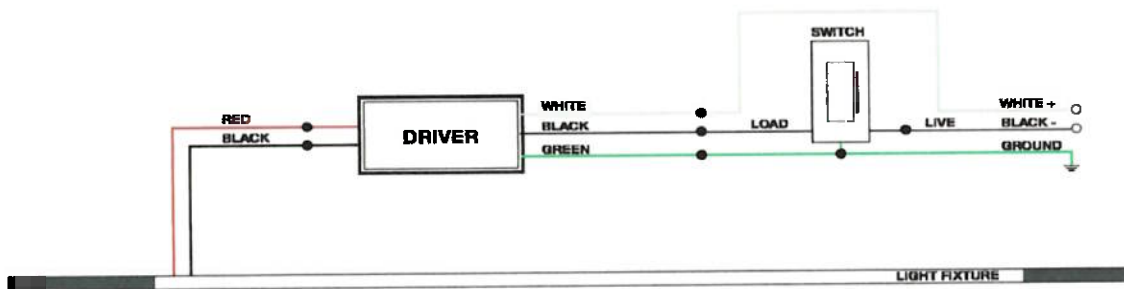


■ FIXTURE COMPONENTS



■ WIRING DIAGRAM

Wiring diagram for a typical installation of the light fixture with a compatible driver and switch.

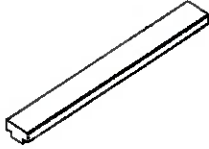


ZENLITE® NC2-2G

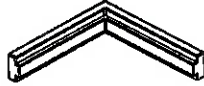


ADDITIONAL COMPONENTS

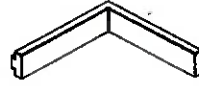
These are the standard components that come with the ZENLITE® Lighting System for 5/8" Drywall.



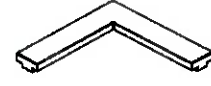
T-shape Connector
 Length: 2 inches
 Purpose: To connect to straight ZENLITE® Channels
 Part #: ZNLT-CNCT-STRT



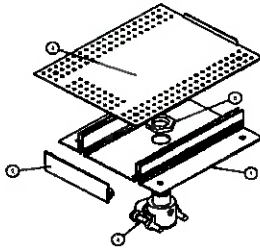
Outside T-shape Connector
 Length: 1 x 1 inches
 Purpose: To connect to straight ZENLITE® Channels at outside wall corners at 90 deg
 Part #: ZNLT-CNCT-OS90



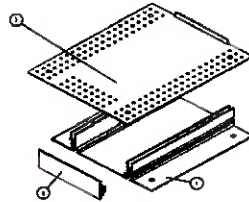
Inside T-shape Connector
 Length: 1 x 1 inches
 Purpose: To connect to straight ZENLITE® Channels at inside wall corners at 90 deg
 Part #: ZNLT-CNCT-IN90



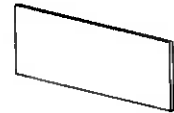
ZIGZAG T-Shape Connector
 Length: 1 x 1 inches
 Purpose: To connect to straight ZENLITE® Channels trimmed at 45 Degrees to form a 90 Degree bend
 Part #: ZNLT-CNCT-ZG90



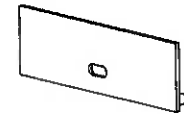
Beginning Module
 Length: 5 inches
 Purpose: To be attached at the beginning of ZENLITE® channel by means of two T-shape connectors
 Sub-Components:
 1. 4 In Channel
 2. End Cap
 3. Channel Cover
 4. BX Cable Connector
 5. BX Connector Nut
 Part #: ZNLT-BGNM-NC2



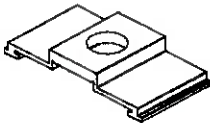
End Module
 Length: 5 inches
 Purpose: To be attached at the beginning of ZENLITE® channel by means of two T-shape connectors
 Sub-Components:
 1. 4 In Channel
 2. End Cap
 3. Channel Cover
 Part #: ZNLT-ENDM-NC2



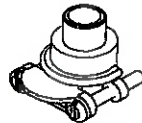
End Cap
 Length: 2 inches
 Purpose: To be attached at the either end of ZENLITE® channel
 Part #: ZNLT-EDCP



End Cap with Hole
 Length: 2 inches
 Purpose: To be attached at either end of ZENLITE® channel with a hole for lead wire.
 Part #: ZNLT-EDCP



BX Module
 Length: 2 inches
 Purpose: To be attached at any location of the ZENLITE® channel where BX connector is needed
 Part #: ZNLT-NC2-BXM

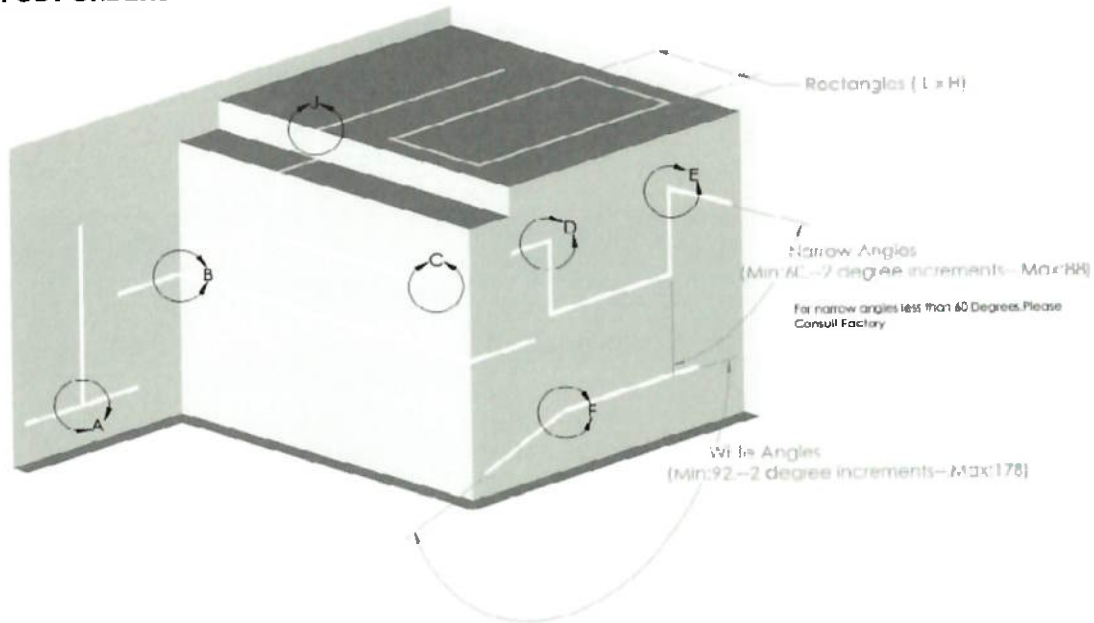


BX Connector
 Length: 2 inches
 Purpose: To be attached at any location of the ZENLITE® channel for lead wire.
 Part #: ZNLT-BX

ZENLITE® NC2-2G



CUSTOM CUT ORDERS



DETAIL A
T-JOINT
TJ



DETAIL B
OUTSIDE CORNER
OC



DETAIL C
STRAIGHT
XX



DETAIL D
RIGHT ANGLE
RA90



DETAIL E
NARROW ANGLE
NAXX



DETAIL F
WIDE ANGLE
WAXXX

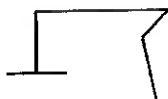


DETAIL J
INSIDE CORNER
IC

TYPE	DIMENSIONS	QTY
<input type="checkbox"/>	<input type="text"/> OR <input type="text"/> x <input type="text"/>	<input type="text"/>
<input type="checkbox"/>	<input type="text"/> OR <input type="text"/> x <input type="text"/>	<input type="text"/>
<input type="checkbox"/>	<input type="text"/> OR <input type="text"/> x <input type="text"/>	<input type="text"/>
<input type="checkbox"/>	<input type="text"/> OR <input type="text"/> x <input type="text"/>	<input type="text"/>
<input type="checkbox"/>	<input type="text"/> OR <input type="text"/> x <input type="text"/>	<input type="text"/>

Note: List the cuts/features in the order of occurrence from left to right. Multiple spec-sheets can be used for multiple custom lengths/shapes. Please consult factory for complex projects

EXAMPLES



TJ-20-RL-30-NL45-15-WL135-20



0-15 X 30 FT



SHADES OF LIGHT





SHADES OF LIGHT

Pendant - Large

SKU: PE17105 GY

\$259.00

Color: Gray / Blue

Actual Size: 9"Hx8.5"Wx8.5"D

In stock and ready to ship

Qty

1



Add to cart

+ Add to my List



SHADES OF LIGHT

Description



This modern cement pendant has an antiqued look with a washed blue effect. The texture and colors will add instant charm above a kitchen island, a table or hallway.

Specifications



Measurements



SHADES OF LIGHT

Size : Round

Overall Height Min: 16

Overall Height Max: 40

Weight: 14

Features

Color: Gray / Blue

Number of Lights: 1



SHADES OF LIGHT

Bulb Base: US Medium-E26

Shades of Light Exclusive: Yes

Specifications

Max Bulb Wattage: 75

Cord/Wire Length: 60

Ratings & Certifications

VISUAL COMFORT & CO.

3MAVSM70BBSWWO: Maverick Smart 70 Ceiling Fan in Burnished Brass with Washed White Oak Blades



Dimensions:

- Diameter:** 70"
- Weight:** 16.4 lbs.
- Number Of Speeds:** 6
- Reverse Switch:** Remote Controlled
- Rev. Switch Location:** Remote Transmitter
- Motor Size:** 85 X 28
- Diameter of Housing:** 7
- Lead Wire Length:** 78 inches
- Uplight Included:** No
- Remote Included:** Hand Remote
- Location of Receiver:** Canopy
- Remote Group(s):**

Features:

- This product may be mounted on a sloped ceiling
- Includes a green, energy-efficient DC motor
- Specialty carved wood blades included
- ENERGY STAR® Qualified
- Remote included for easy operation
- This product complies with TSCA Title VI

Collection: Maverick Smart 70

Supplied with threaded downrod

UPC #:014817658293

Finish: Burnished Brass (BBS)

Blade Finish: Washed White Oak

Blade Finish 2: Undefined

Material List:

- 3 Blade - Hand Carved Wood - Washed White Oak
- 1 Body - Steel - Burnished Brass

Safety Listing:

Safety Listed for Damp Locations

Instruction Sheets:

- English (3MAVSM70XX-CUL-ENG)
- French (3MAVSM70XX-CUL-CF)

Backplate / Canopy Details:

Type	Height / Length	Width	Depth	Diameter	Outlet Box Up	Outlet Box Down
Canopy	2.62			5.56		

Blade Details:

Blade Group	Diameter	Included	RPM HI	CFM HI	Watts HI	Amps HI	RPM Med	CFM Med	Watts Med	Amps Med	RPM Low	CFM Low	Watts Low	Amps Low
	70	Yes	136.0	7026.0	36.4	0.53					60.0	3049.0	4.71	0.09

Visual Comfort & Co. reserves the right to revise the design of components of any product due to parts availability or change in safety listing standards without assuming any obligation or liability to modify any products previously manufactured and without notice. This literature depicts a product design that is the sole and exclusive property of Visual Comfort & Co. In compliance with U.S. copyright and patent requirements, notification is hereby presented in this form that this literature, or the product it depicts, is not to be copied, altered or used in any manner without the express written consent of, or contrary to the best interests of Visual Comfort & Co.

Mounting Options:

Mounting Type	Included	Item	Downrod Length	Downrod Diameter	Overall Height	Blade to Ceiling	Min. Ceiling Height	Canopy Style	Canopy Diameter
Downrod (Included)	Yes		6.0	0.5	11.7	11.6	7.97	Threaded Downrod	5.6

Shipping Information:

Package Type	Product #	Quantity	UPC	Length	Width	Height	Cube	Weight	Frt. Class	UPS Ship
Individual	3MAVSM70BBSWWO	1	014817658293	37.2	10.24	13.19	2.91	15.32	0	Yes
Master Pack	3MAVSM70BBSWWO	0	10014817658290							No

Visual Comfort & Co. reserves the right to revise the design of components of any product due to parts availability or change in safety listing standards without assuming any obligation or liability to modify any products previously manufactured and without notice. This literature depicts a product design that is the sole and exclusive property of Visual Comfort & Co., in compliance with U.S. copyright and patent requirements, notification is hereby presented in this form that this literature, or the product it depicts, is not to be copied, altered or used in any manner without the express written consent of, or contrary to the best interests of Visual Comfort & Co.



Job Name: FARMHOUSE AT EAST ARGENT - SUBMITTAL BOM
Manufacturer: VCSC
Model Number: WF 5041NB-CC

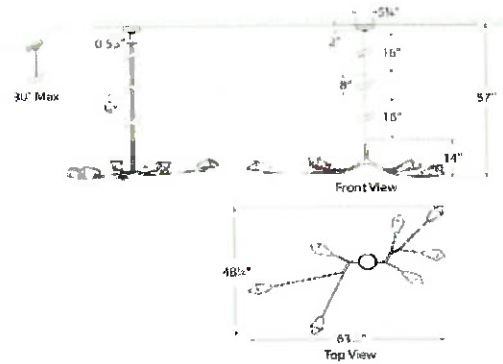
Type: M

TEAR SHEET



Carraig 63" 7 Light Chandelier
 Item # WF 5041NB-CC

Designer: Waterford
O/A Height: 56.75"
Fixture Height: 14"
Min. Custom Height: 21.25"
Width: 63.25"
Canopy: 5.5" Round
Finishes: BZ, NB, PN
Glass Options: CC
Lightsource: Dedicated LED
Wattage: 18w (2100lm)
Weight: 37 Pounds
Note: Custom Height Available



VISUAL COMFORT & CO.





Division 16.900
Low Voltage System



We build it like it's ours.